

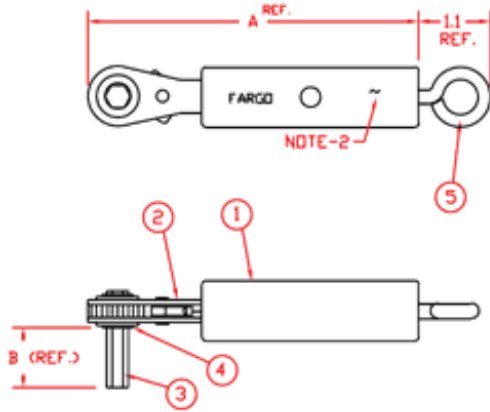


[Catalog Home](#)

Product Datasheet


ANDERSON FARGO

GP241S3GP -- Fargo Lineman's Wrench



Fargo Lineman's Wrench, 3/8" Rev. Allen Ratchet and Eye Loop

Product Specifications

Series	 <p>GP Series Hand "Speed" Wrenches for installing bolted and mechanical connectors</p>
PDF Catalog Page	Click HERE to view the web page.
End A Type	Reversible Allen Ratchet - 3/8" x 1.00" long
End B Type	Eye Loop
End A Size	3/8"
End "A" Dimension C	1.00" (25 mm)
End "B" Dimension C	1.00" (25 mm)
Dimension L	7.75" (197 mm)
Material Type	Non-Standard
UPC Code	09635931300
Standard Package	10
Standard Package Unit	Each
Min Order Qty	10
Weight / Ea.	0.794 lbs

Notes

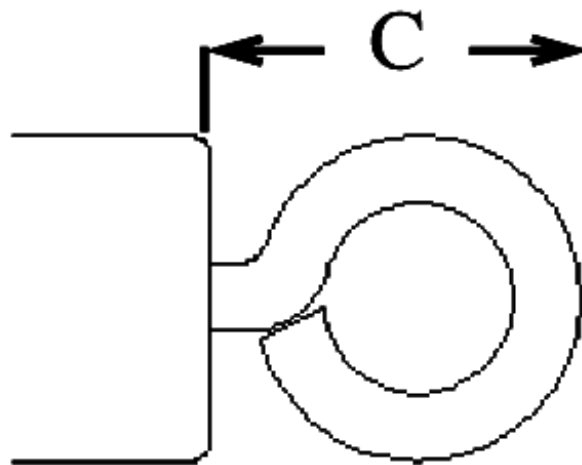
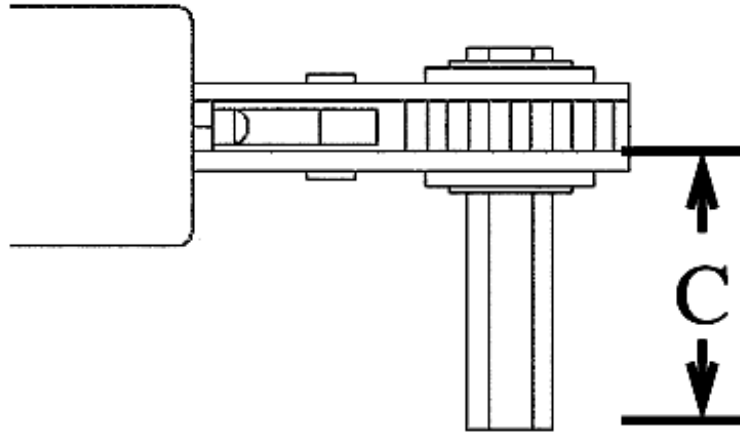
Specifically constructed for proper and fast installation of mechanical connectors.

Features

Sturdy polypropylene handle provides protection from incidental contact.

Compressed Product Number

GP241S3GP



[Catalog Home](#)



[Warranty Info](#) | [Trademarks](#) | [Terms of Use](#)

All contents Copyright © 2007 Hubbell Power Systems, Inc. All rights reserved.

NOTE: Because Hubbell has a policy of continuous product improvement, we reserve the right to change design and specifications without notice.