



UPC Code: 07847701376

Country Of Origin: Mexico

41643-E

Brand Features

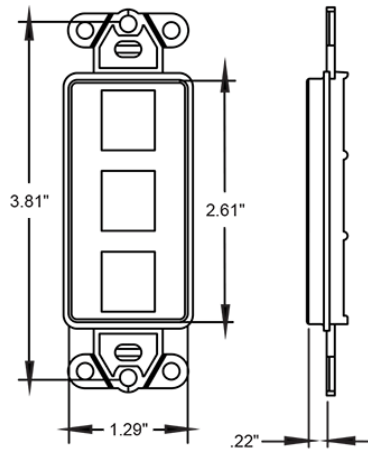
Decora inserts accept all QuickPort snap-in modules, and are used to support voice, data, audio, and video applications in NEMA openings where a Decora-brand look is desired. Available in white, light almond, ivory, grey, black, and brown.

Item Description

QuickPort Decora Insert, 3-Port, Black

Features and Benefits

- Mounts flush with Decora wallplate
- True Decora-brand design matches Leviton Decora rocker switches and electrical products
- Fits within minimum NEMA openings
- High port density options
- Inserts accept all QuickPort connectors
- Not compatible with Decora Plus Wallplates when used with low-voltage box eliminators



3-Port Insert

SPECIFICATION SUBMITTAL

JOB NAME: <input type="text"/>	CATALOG NUMBERS: <input type="text"/>	
JOB NUMBER: <input type="text"/>	<input type="text"/>	<input type="text"/>

Leviton Manufacturing Co., Inc.

201 North Service Road, Melville, NY 11747

Teléfono: +1-800-323-8920 · FAX: +1-800-832-9538 · Tech Line (8:30AM-7:30PM E.S.T. Monday-Friday): +1-800-824-3005

Leviton Manufacturing of Canada, Ltd.

165 Hymus Boulevard, Pointe Claire, Quebec H9R 1E9 · Telephone: +1-800-469-7890 ·

FAX: +1-800-824-3005 · www.leviton.com/canada

Leviton S. de R.L. de C.V.

Lago Tana 43, Mexico DF, Mexico CP 11290 · Tel.: (+52)55-5082-1040 · FAX: (+52)5386-

1797 · www.leviton.com.mx

Visit our Website at: www.leviton.com

© 2018 Leviton Manufacturing Co., Inc. Todos los derechos reservados. Subject to change without notice.

Leviton has a global presence.

If you would like to know where your local Leviton office is located please go to:

www.leviton.com/international/contacts/

