

# NC / NQC Standard and NC Hinged Trim Fronts

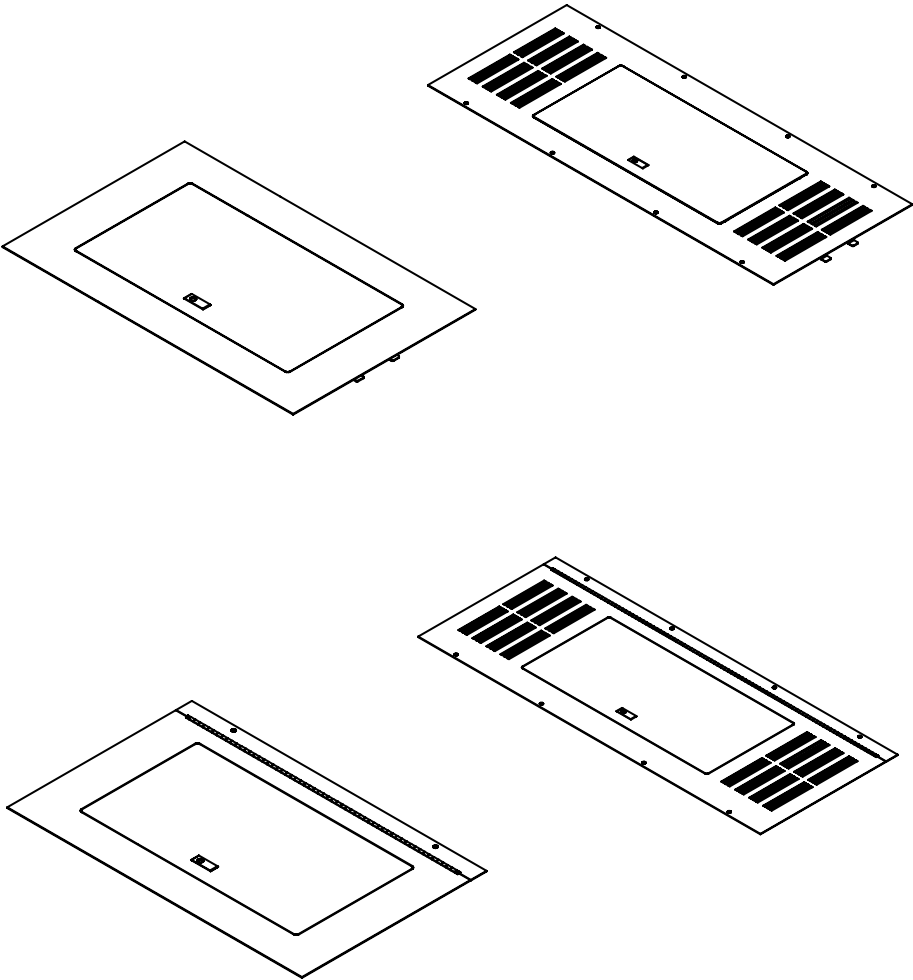
Installation onto an NQ, NQ 14 inch wide or NF Panelboard

Classes 1640 and 1670

## Instruction Bulletin

Retain for future use.

80043-740-01  
08/2022



# Legal Information

The Schneider Electric brand and any trademarks of Schneider Electric SE and its subsidiaries referred to in this guide are the property of Schneider Electric SE or its subsidiaries. All other brands may be trademarks of their respective owners.

This guide and its content are protected under applicable copyright laws and furnished for informational use only. No part of this guide may be reproduced or transmitted in any form or by any means (electronic, mechanical, photocopying, recording, or otherwise), for any purpose, without the prior written permission of Schneider Electric.

Schneider Electric does not grant any right or license for commercial use of the guide or its content, except for a non-exclusive and personal license to consult it on an "as is" basis. Schneider Electric products and equipment should be installed, operated, serviced, and maintained only by qualified personnel.

As standards, specifications, and designs change from time to time, information contained in this guide may be subject to change without notice.

To the extent permitted by applicable law, no responsibility or liability is assumed by Schneider Electric and its subsidiaries for any errors or omissions in the informational content of this material or consequences arising out of or resulting from the use of the information contained herein.

# Table of Contents

Safety Information .....	5
Please Note .....	5
Introduction .....	6
Safety Precautions .....	7
Contents .....	8
Hardware Quantities .....	9
Tools Needed .....	9
Installing the Trim Front .....	10
Installing Low Amp Standard Trim .....	10
Installing Low Amp Hinged Trim .....	11
Installing High Amp—Standard or Hinged Trim .....	13



# Safety Information

Read these instructions carefully and look at the equipment to become familiar with the device before trying to install, operate, service, or maintain it. The following special messages may appear throughout this user guide or on the equipment to warn of hazards or to call attention to information that clarifies or simplifies a procedure.



The addition of either symbol to a “Danger” or “Warning” safety label indicates that an electrical hazard exists which will result in personal injury if the instructions are not followed.



This is the safety alert symbol. It is used to alert you to personal injury hazards. Obey all safety messages that follow this symbol to avoid possible injury or death.

## DANGER

**DANGER** indicates a hazardous situation which, if not avoided, **will result in** death or serious injury.

## WARNING

**WARNING** indicates a hazardous situation which, if not avoided, **could result in** death or serious injury.

## CAUTION

**CAUTION** indicates a hazardous situation which, if not avoided, **could result in** minor or moderate injury.

## **NOTICE**

**NOTICE** is used to address practices not related to physical injury.

**NOTE:** Provides additional information to clarify or simplify a procedure.

## Please Note

Electrical equipment should be installed, operated, serviced, and maintained only by qualified personnel. No responsibility is assumed by Schneider Electric for any consequences arising out of the use of this material.

A qualified person is one who has skills and knowledge related to the construction, installation, and operation of electrical equipment and has received safety training to recognize and avoid the hazards involved.

Electrical equipment should be transported, stored, installed, and operated only in the environment for which it is designed.

# Introduction

This bulletin contains instructions for installing a Square D™ brand NC / NQC standard or NC hinged trim front onto a Square D brand NQ, NQ 14 inch wide and NF panelboard manufactured by Schneider Electric.

# Safety Precautions

## DANGER

### HAZARD OF ELECTRIC SHOCK, EXPLOSION, OR ARC FLASH

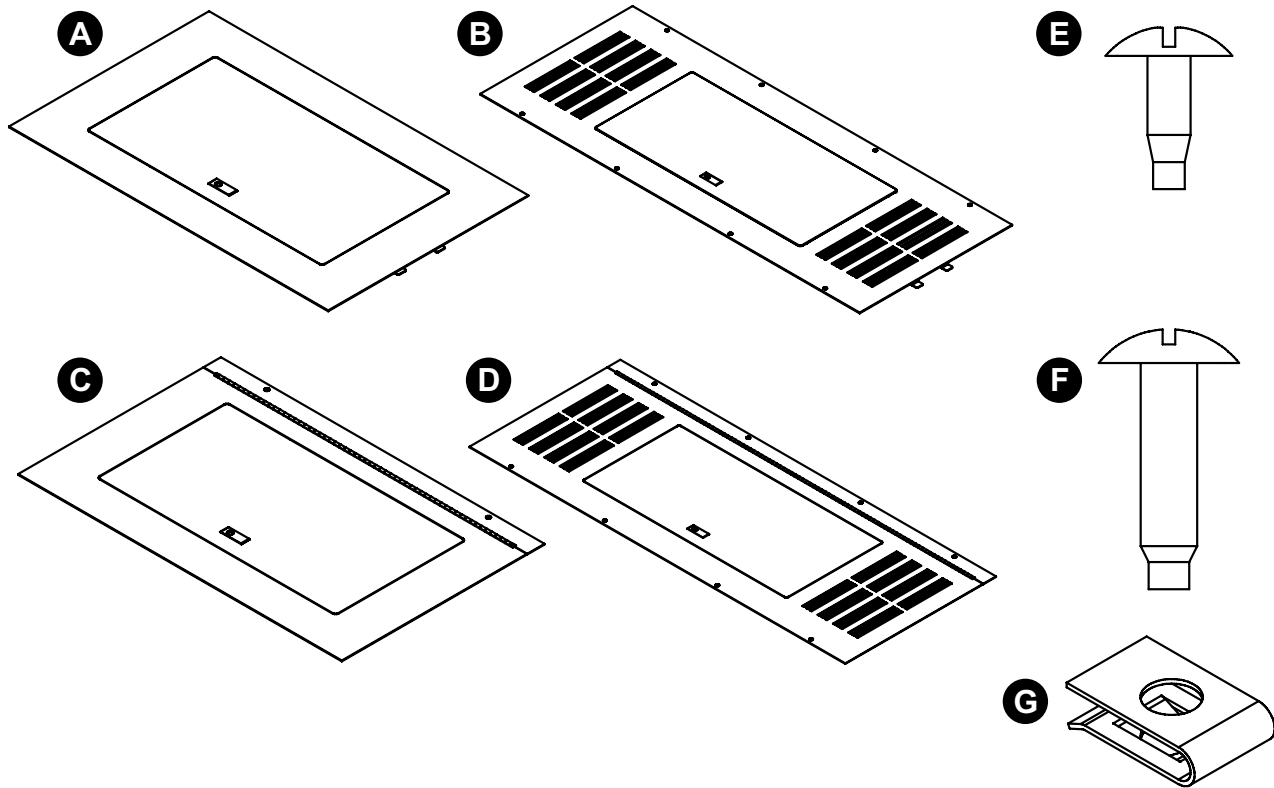
- Apply appropriate personal protective equipment (PPE) and follow safe electrical work practices. See NFPA 70E, CSA Z462, or NOM-029–STPS.
- This equipment must only be installed and serviced by qualified electrical personnel.
- Turn off all power supplying this equipment before working on or inside equipment.
- Always use a properly rated voltage sensing device to confirm power is off.
- Replace all devices, doors, and covers before turning on power to this equipment.

**Failure to follow these instructions will result in death or serious injury.**



**WARNING:** This product can expose you to chemicals including Nickel compounds, which are known to the State of California to cause cancer, and Bisphenol A (BPA), which is known to the State of California to cause birth defects or other reproductive harm. For more information go to [www.P65Warnings.ca.gov](http://www.P65Warnings.ca.gov).

# Contents



A	NC26S through NC92S , NQC32S through NQC50S, NC26F through NC92F and NQC32F through NQC50F fronts only—Low Amp Standard Interior Trim Fronts. <sup>1</sup>	E	10-32 x 19/32-in. Self-threading screws (Quantities vary by kit. See Hardware Quantities, page 9.)
B	NC44VS through NC92VS and NC44VF through NC92VF fronts only—High Amp Standard Interior Trim Fronts. <sup>1</sup>	F	1/4-20 x 1-in. Screws (Quantities vary by kit. See Hardware Quantities, page 9.)
C	NC26SHR through NC92SHR and NC26FHR through NC92FHR fronts only—Low Amp Interior Hinged Trim Fronts. <sup>1</sup>	G	1/4-20 Spring nut (Quantities vary by kit. See Hardware Quantities, page 9.)
D	NC44VSHR through NC92VSHR and NC44VFHR through NC92VFHR fronts only—High Amp Interior Hinged Trim Fronts. <sup>1</sup>		

**NOTE:** Contents not shown to scale.

1. Low Amp Interior / Low Amp interior Hinged Trim Fronts are rated for 100 and 225 A for NQ and 125 and 250 A for NF. High Amp Interior / High Amp Interior Hinged Trim Fronts are rated for 400, 600 A for NQ and 400, 600, 800 A for NF.



## Hardware Quantities

Item	NC26		NC32		NC38		NC44		NC50		NC56	
	Type	Qty.	Type	Qty.	Type	Qty.	Type	Qty.	Type	Qty.	Type	Qty.
E	S/F	4	S/F	4	S/F	6	S/F	6	S/F	6	S/F	6
	S/FHR	4	S/FHR	4	S/FHR	6	S/FHR	6	S/FHR	6	S/FHR	8
F/G	S/FHR	4	S/FHR	4	S/FHR	4	S/FHR	4	S/FHR	4	S/FHR	4
	—	—	—	—	—	—	VS/F	8	VS/F	8	VS/F	9
	—	—	—	—	—	—	VS/FHR	8	VS/FHR	8	VS/FHR	8

Item	NC62		NC68		NC74		NC80		NC86		NC92	
	Type	Qty.	Type	Qty.	Type	Qty.	Type	Qty.	Type	Qty.	Type	Qty.
E	S/F	8	S/F	8	S/F	10	S/F	10	S/F	10	S/F	10
	S/FHR	8	S/FHR	8	S/FHR	10	S/FHR	10	S/FHR	10	S/FHR	10
F/G	S/FHR	4	S/FHR	4	S/FHR	4	S/FHR	4	S/FHR	10	S/FHR	10
	VS/F	8	VS/F	8	VS/F	8	VS/F	8	VS/F	10	VS/F	10
	VS/FHR	8	VS/FHR	8	VS/FHR	8	VS/FHR	8	VS/FHR	10	VS/FHR	10

Item	NQC26		NQC32		NQC38		NQC44		NQC50	
	Type	Qty.	Type	Qty.	Type	Qty.	Type	Qty.	Type	Qty.
E	S/F	4	S/F	4	S/F	6	S/F	6	S/F	6
	—	—	—	—	—	—	—	—	—	—
F/G	—	—	—	—	—	—	—	—	—	—
	—	—	—	—	—	—	—	—	—	—
	—	—	—	—	—	—	—	—	—	—

S = Surface mounted, F = Flush mounted, HR = Hinged right, V = Vented.

**NOTE:** These quantities also apply for Special Trim Fronts.

## Tools Needed



- #2 Square-head Robertson® screwdriver
- Slotted- or Philips®-head screwdriver

## Installing the Trim Front



### **⚠ DANGER**

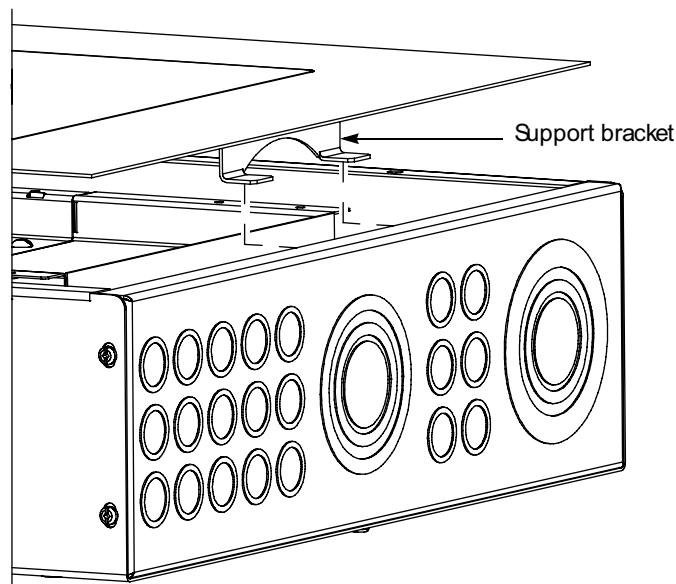
#### **HAZARD OF ELECTRIC SHOCK, EXPLOSION, OR ARC FLASH**

- Apply appropriate personal protective equipment (PPE) and follow safe electrical work practices. See NFPA 70E, CSA Z462, or NOM-029–STPS.
- This equipment must only be installed and serviced by qualified electrical personnel.
- Turn off all power supplying this equipment before working on or inside the equipment.
- Always use a properly rated voltage sensing device to confirm power is off.
- Local codes vary, but are adopted and enforced to promote safe electrical installations. A permit may be needed to do electrical work, and some codes may require an inspection of the electrical work.
- Replace all devices, doors and covers before turning ON power to this equipment.

**Failure to follow these instructions will result in death or serious injury.**

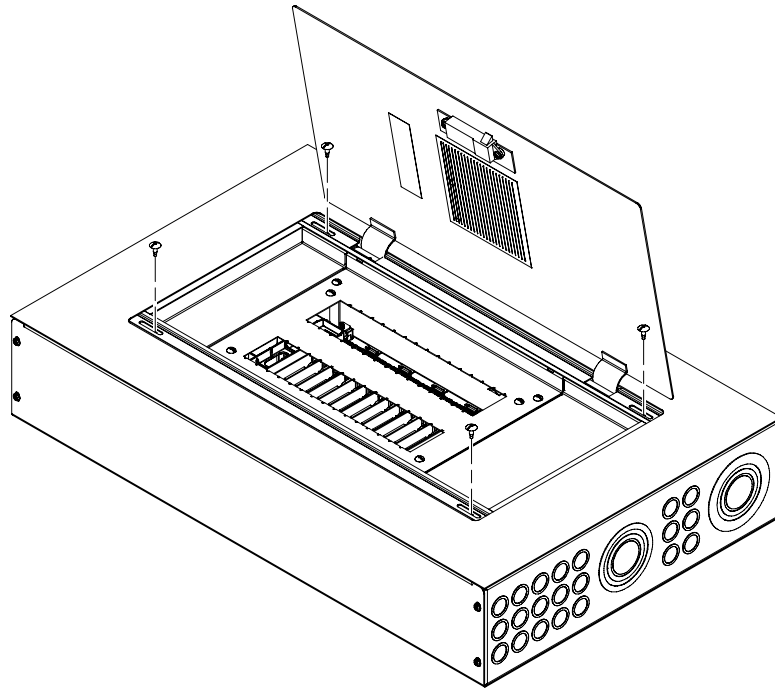
## Installing Low Amp Standard Trim

1. Place the support bracket located at the bottom of the trim front on the enclosure lip, as shown.



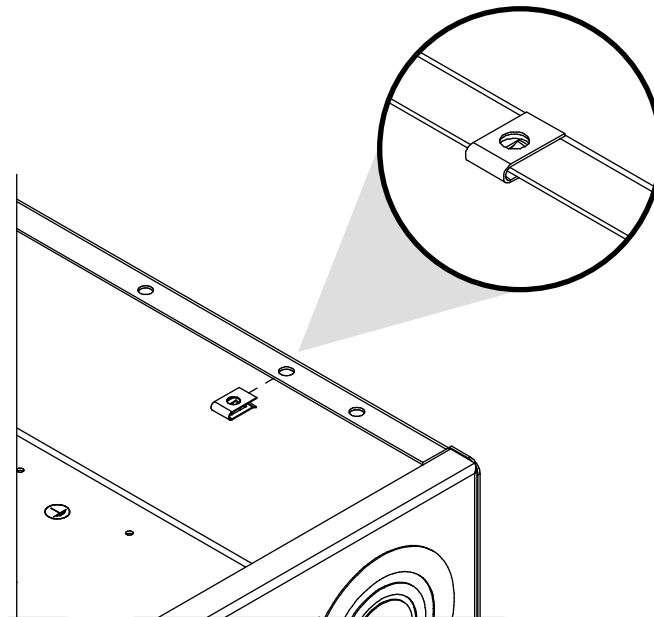
2. Open the trim front door. Align the screw holes in the trim front door recesses with the screw holes in the panelboard deadfront and fasten with the 10-32 x 19/32-in. self-threading screws, included in the kit.

**NOTE:** For flush-mounted applications, elevate the interior to the proper position. Refer to the information manual provided with the panelboard for more information.

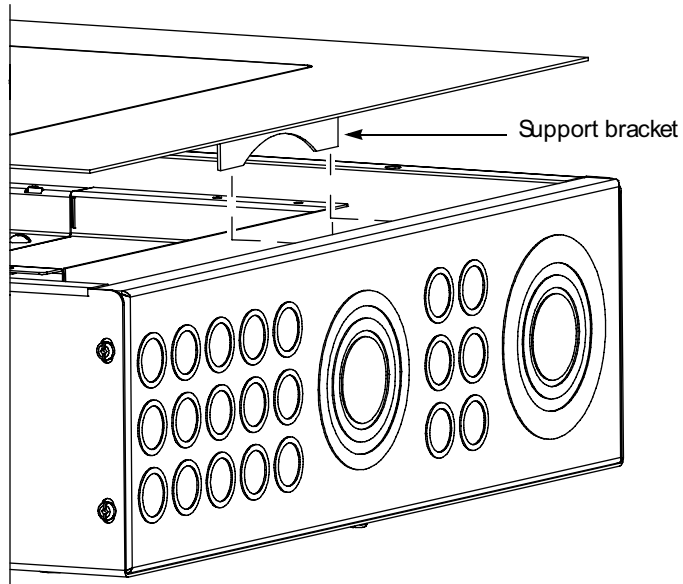


## Installing Low Amp Hinged Trim

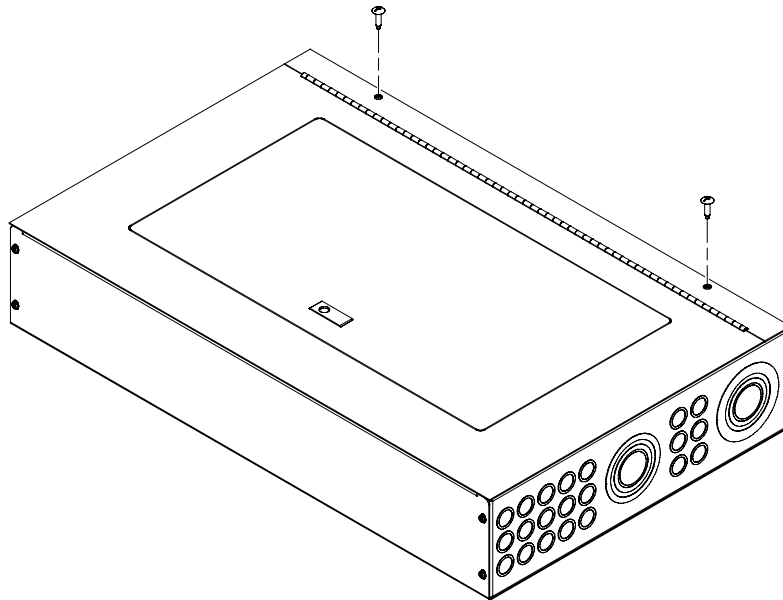
1. Install the spring nuts on the enclosure lip, over the holes corresponding to the screw holes in the trim front.



2. Place the support bracket located at the bottom of the trim front on the enclosure lip, as shown.

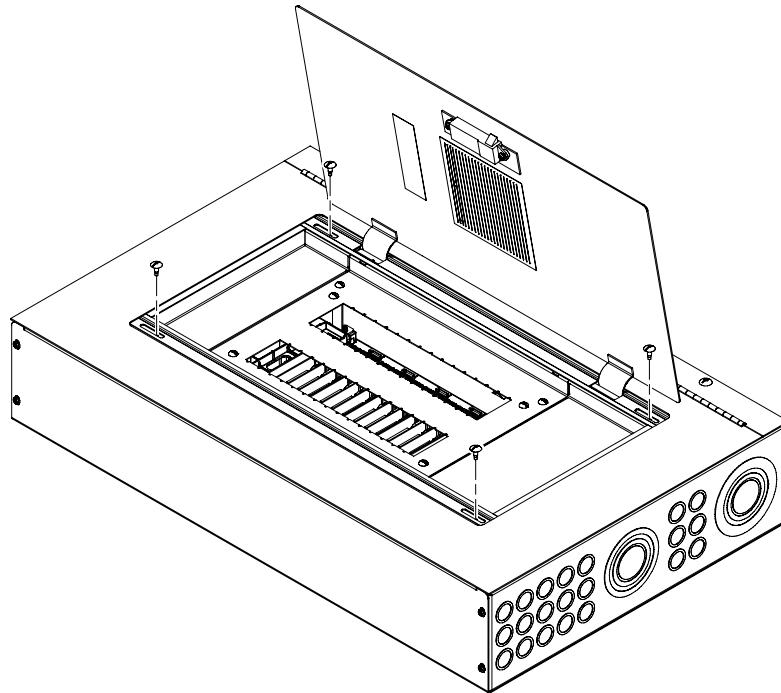


3. Align screw holes in the trim front with the spring nuts on the enclosure lip and fasten with the 1/4-20 x 1-in. screws, included in the kit.



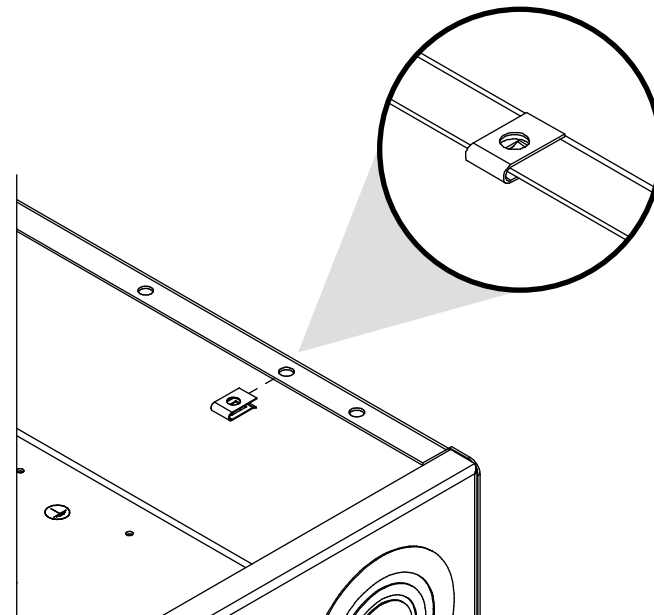
4. Open the trim front door. Align the screw holes in the trim front door recesses with the screw holes in the panelboard deadfront and fasten with the 10-32 x 19/32-in. self-threading screws, included in the kit.

**NOTE:** For flush-mounted applications, elevate the interior to the proper position. Refer to the information manual provided with the panelboard for more information.



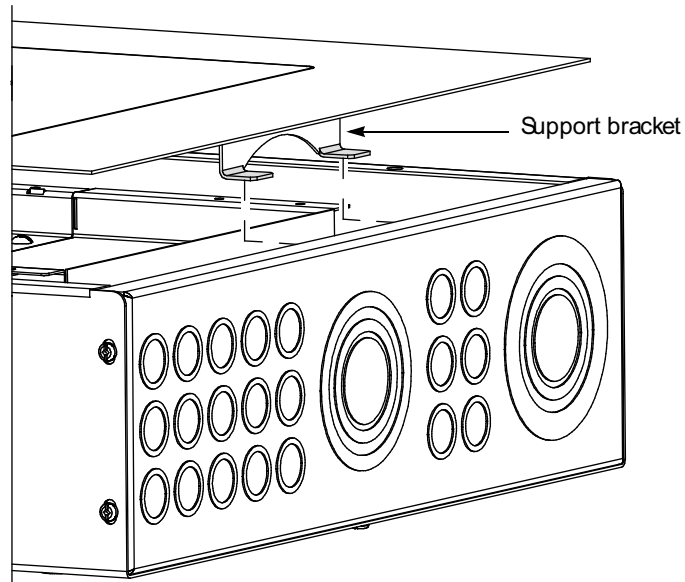
## Installing High Amp—Standard or Hinged Trim

1. Install the spring nuts on the enclosure lip, over the holes corresponding to the screw holes in the trim front.



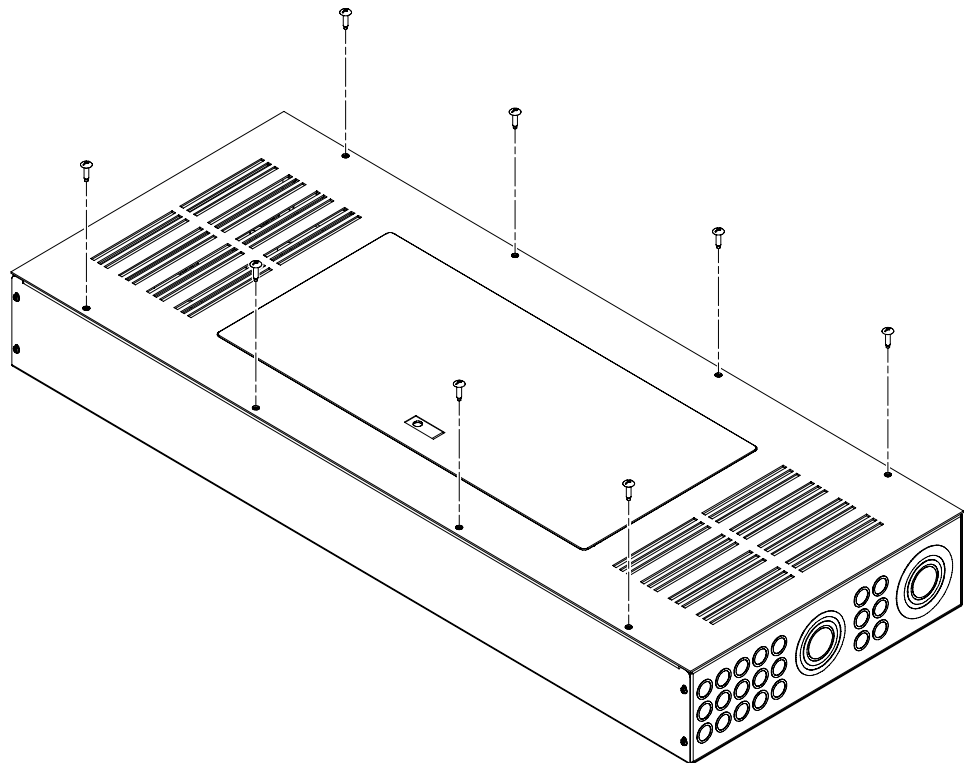
2. Place the support bracket located at the bottom of the trim front on the enclosure lip, as shown.

**NOTE:** Standard trim pictured. Hinged trim support bracket pictured in Installing Low Amp Hinged Trim, page 11.



3. Align screw holes in the trim front with the spring nuts on the enclosure lip and fasten with the 1/4-20 x 1-in. self-threading screws, included in the kit.

**NOTE:** For flush-mounted applications, elevate the interior to the proper position. Refer to the information manual provided with the panelboard for more information.





Schneider Electric  
800 Federal Street  
Andover, MA 01810  
USA

888-778-2733

[www.se.com](http://www.se.com)

As standards, specifications, and design change from time to time,  
please ask for confirmation of the information given in this publication.

© 2009 – 2022 Schneider Electric. All rights reserved.

80043-740-01



# Cubiertas frontales NC/NQC estándar y NC con bisagras

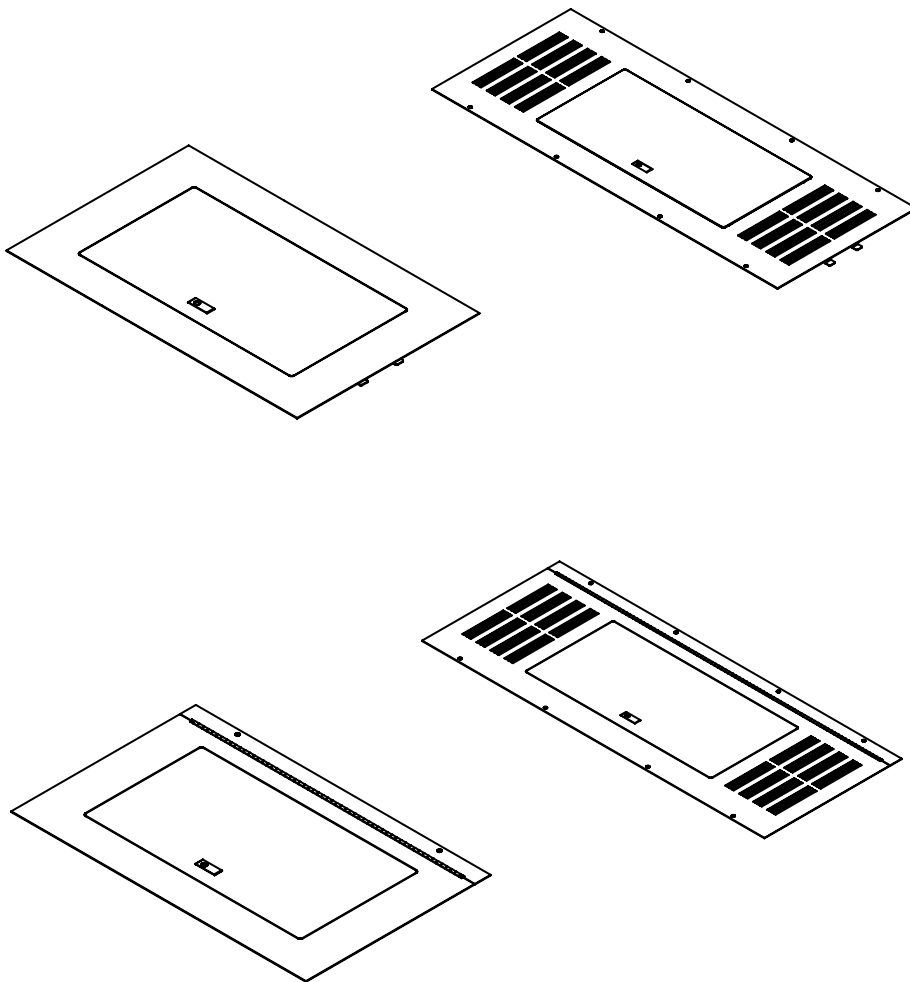
Instalación en un tablero de distribución NF o NQ, NQ de 14 pulg de ancho

Clases 1640 y 1670

## Manual de instrucciones

Conservar para su uso en el futuro.

80043-740-01  
08/2022



# Información legal

La marca Schneider Electric y cualquier marca comercial de Schneider Electric SE y sus subsidiarias mencionadas en esta guía son propiedad de Schneider Electric SE o sus subsidiarias. Todas las demás marcas pueden ser marcas comerciales de sus respectivos propietarios. Esta guía y su contenido están protegidos por las leyes de derechos de autor aplicables y se proporciona solo para fines informativos. No se puede reproducir o transmitir ninguna parte de esta guía de ninguna forma ni por ningún medio (ya sea electrónico, mecánico, por fotocopia, grabación o de otra manera), con ningún propósito, sin la previa autorización por escrito de Schneider Electric.

Schneider Electric no concede ningún derecho o licencia para el uso comercial de la guía o de su contenido, salvo en el caso de una licencia no exclusiva y personal para consultarla que se suministra "tal cual".

Solo el personal calificado puede instalar, hacer funcionar y prestar servicios de mantenimiento a los productos y equipos de Schneider Electric.

Ya que las normas, las especificaciones y los diseños cambian cada cierto tiempo, la información contenida en esta guía puede estar sujeta a cambios sin previo aviso.

En la medida permitida por la ley vigente, Schneider Electric y sus subsidiarias no asumen responsabilidad alguna por cualquier error u omisión en el contenido informativo de este material o de las consecuencias derivadas o resultantes del uso de la información contenida en este documento.

# Contenido

Safety Information .....	5
Please Note .....	5
Introducción .....	6
Precauciones de seguridad .....	7
Contenido .....	8
Cantidad de accesorios .....	9
Herramientas necesarias .....	9
Instalación de la cubierta frontal.....	10
Instalación de la cubierta estándar de bajo amperaje .....	10
Instalación de la cubierta con bisagras de bajo amperaje .....	11
Instalación de la cubierta estándar o con bisagras de alto amperaje.....	13



# Safety Information

Read these instructions carefully and look at the equipment to become familiar with the device before trying to install, operate, service, or maintain it. The following special messages may appear throughout this user guide or on the equipment to warn of hazards or to call attention to information that clarifies or simplifies a procedure.



The addition of either symbol to a “Danger” or “Warning” safety label indicates that an electrical hazard exists which will result in personal injury if the instructions are not followed.



This is the safety alert symbol. It is used to alert you to personal injury hazards. Obey all safety messages that follow this symbol to avoid possible injury or death.

<b>⚠ ⚠ DANGER</b>
<b>DANGER</b> indicates a hazardous situation which, if not avoided, <b>will result in</b> death or serious injury.

<b>⚠ WARNING</b>
<b>WARNING</b> indicates a hazardous situation which, if not avoided, <b>could result in</b> death or serious injury.

<b>⚠ CAUTION</b>
<b>CAUTION</b> indicates a hazardous situation which, if not avoided, <b>could result in</b> minor or moderate injury.

<b>NOTICE</b>
<b>NOTICE</b> is used to address practices not related to physical injury.

**NOTA:** Provides additional information to clarify or simplify a procedure.

## Please Note

Electrical equipment should be installed, operated, serviced, and maintained only by qualified personnel. No responsibility is assumed by Schneider Electric for any consequences arising out of the use of this material.

A qualified person is one who has skills and knowledge related to the construction, installation, and operation of electrical equipment and has received safety training to recognize and avoid the hazards involved.

Electrical equipment should be transported, stored, installed, and operated only in the environment for which it is designed.

## Introducción

Este boletín contiene las instrucciones para la instalación de una cubierta frontal NC con bisagras o estándar NC / NQC de la marca Square D™ en un tablero de distribución NF, NQ, y NQ de 14 pulgadas de ancho de la marca Square D fabricado por Schneider Electric.

# Precauciones de seguridad

## ⚠ PELIGRO

### PELIGRO DE DESCARGA ELÉCTRICA, EXPLOSIÓN O ARCO ELÉCTRICO

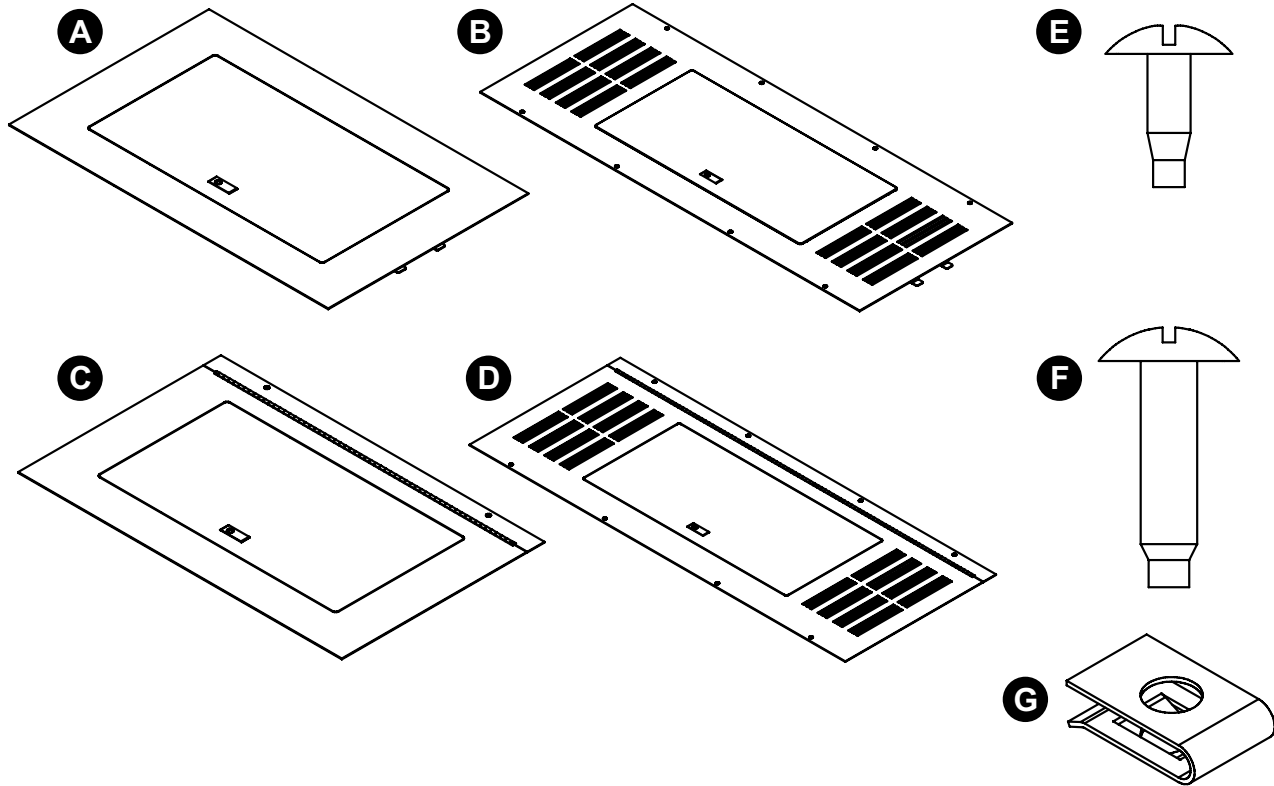
- Utilice equipo de protección personal (EPP) apropiado y siga las prácticas de seguridad en trabajos eléctricos establecidas por su compañía. Consulte las normas NFPA 70E, CSA Z462 o NOM-029-STPS.
- La instalación y la realización del servicio de mantenimiento de este equipo deberán ser llevadas a cabo únicamente por personal eléctrico calificado.
- Desenergice todas las fuentes de alimentación del equipo antes de realizar cualquier trabajo dentro o fuera de él.
- Siempre utilice un dispositivo detector de tensión de valor nominal adecuado para confirmar que el equipo esté desenergizado.
- Vuelva a colocar todos los dispositivos, las puertas y las cubiertas antes de energizar este equipo.

**El incumplimiento de estas instrucciones tendrá como resultado la muerte o lesiones graves.**



**ADVERTENCIA:** Este producto puede exponerlo a químicos, incluidos compuestos de níquel, que son conocidos por el estado de California como causantes de cáncer, y Bisfenol A (BPA), que es conocido por el estado de California como causante de defectos de nacimiento u otros daños reproductivos. Para obtener más información, visite [www.P65Warnings.ca.gov](http://www.P65Warnings.ca.gov).

## Contenido



A	Solo frentes de NC26S a NC92S, NQC32S a NQC50S, NC26F a NC92F y NQC32F a NQC50F: cubiertas frontales para interiores estándar de bajo amperaje. <sup>1</sup>	E	Tornillos autorroscantes de 10-32 x 19/32 pulg (las cantidades varían según el kit. Consulte Cantidad de accesorios, página 9.)
B	Solo cubiertas frontales NC44VS a NC92VS y NC44VF a NC92VF: cubiertas frontales para interiores estándar de alto amperaje. <sup>1</sup>	F	Tornillos de 1/4-20 x 1 pulg (las cantidades varían según el kit. Consulte Cantidad de accesorios, página 9.)
C	Solo frentes de NC26SHR a NC92SHR y NC26FHR a NC92FHR: cubiertas frontales de bajo amperaje para interiores con bisagras. <sup>1</sup>	G	Tuerca resorte de 1/4-20 (las cantidades pueden variar según el kit. Consulte Cantidad de accesorios, página 9.)
D	Solo frentes de NC44VSHR a NC92VSHR y NC44VFHR a NC92VFHR: cubiertas frontales de alto amperaje para interiores con bisagras, de alto amperaje. <sup>1</sup>		

**NOTA:** El contenido no se muestra a escala.

1. Las cubiertas frontales de bajo amperaje para interiores/interiores con bisagra están clasificadas para 100 y 225 A para NQ y 125 y 250 A para NF. Las cubiertas frontales de alto amperaje para interiores/interiores con bisagra están clasificadas para 400 y 600 A para NQ y 400, 600 y 800 A para NF.



## Cantidad de accesorios

Pieza	NC26		NC32		NC38		NC44		NC50		NC56	
	Tipo	Cant.	Tipo	Cant.	Tipo	Cant.	Tipo	Cant.	Tipo	Cant.	Tipo	Cant.
E	S/F	4	S/F	4	S/F	6	S/F	6	S/F	6	S/F	6
	S/FHR	4	S/FHR	4	S/FHR	6	S/FHR	6	S/FHR	6	S/FHR	8
F/G	S/FHR	4	S/FHR	4	S/FHR	4	S/FHR	4	S/FHR	4	S/FHR	4
	—	—	—	—	—	—	VS/F	8	VS/F	8	VS/F	9
	—	—	—	—	—	—	VS/FHR	8	VS/FHR	8	VS/FHR	8

Pieza	NC62		NC68		NC74		NC80		NC86		NC92	
	Tipo	Cant.	Tipo	Cant.	Tipo	Cant.	Tipo	Cant.	Tipo	Cant.	Tipo	Cant.
E	S/F	8	S/F	8	S/F	10	S/F	10	S/F	10	S/F	10
	S/FHR	8	S/FHR	8	S/FHR	10	S/FHR	10	S/FHR	10	S/FHR	10
F/G	S/FHR	4	S/FHR	4	S/FHR	4	S/FHR	4	S/FHR	10	S/FHR	10
	VS/F	8	VS/F	8	VS/F	8	VS/F	8	VS/F	10	VS/F	10
	VS/FHR	8	VS/FHR	8	VS/FHR	8	VS/FHR	8	VS/FHR	10	VS/FHR	10

Pieza	NQC26		NQC32		NQC38		NQC44		NQC50	
	Tipo	Cant.	Tipo	Cant.	Tipo	Cant.	Tipo	Cant.	Tipo	Cant.
E	S/F	4	S/F	4	S/F	6	S/F	6	S/F	6
	—	—	—	—	—	—	—	—	—	—
F/G	—	—	—	—	—	—	—	—	—	—
	—	—	—	—	—	—	—	—	—	—
	—	—	—	—	—	—	—	—	—	—

S = Montaje en superficie, F = Montaje empotrado, HR = Bisagra a la derecha, V = Ventilado.

**NOTA:** Estas cantidades también se aplican a cubiertas frontales especiales.

## Herramientas necesarias



- Destornillador®Robertson n.º 2 de cabeza cuadrada
- Destornillador®Philips o de cabeza plana

## Instalación de la cubierta frontal



### ⚠ PELIGRO

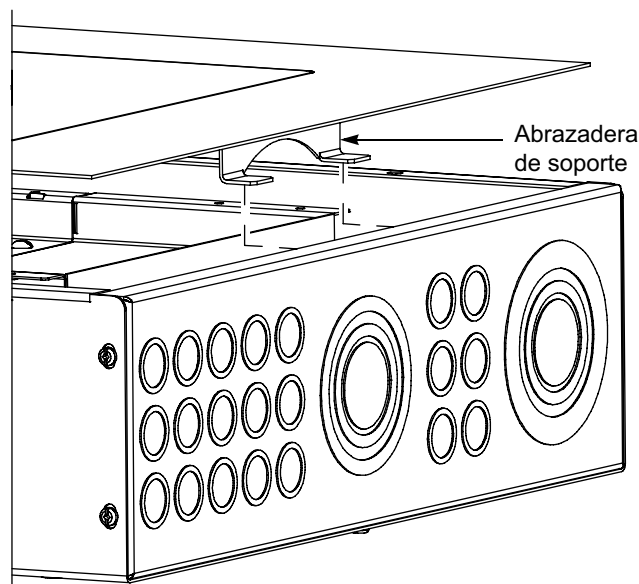
#### PELIGRO DE DESCARGA ELÉCTRICA, EXPLOSIÓN O DESTELLO POR ARCO ELÉCTRICO

- Utilice equipo de protección personal (EPP) apropiado y siga las prácticas de seguridad en trabajos eléctricos establecidas por su compañía. Consulte las normas NFPA 70E, CSA Z462 o NOM-029-STPS.
- La instalación y la realización del servicio de mantenimiento de este equipo deberán ser llevadas a cabo únicamente por personal eléctrico calificado.
- Desenergice el equipo antes de realizar cualquier trabajo en él.
- Siempre utilice un dispositivo detector de tensión de valor nominal adecuado para confirmar que el equipo esté desenergizado.
- Los códigos locales varían, se aceptan y hacen cumplir para fomentar la seguridad en instalaciones eléctricas. Es posible que necesite un permiso para realizar el trabajo eléctrico y, en algunos casos, algunos códigos pueden requerir una inspección del trabajo eléctrico efectuado.
- Vuelva a colocar todos los dispositivos, las puertas y las cubiertas antes de energizar este equipo.

**El incumplimiento de estas instrucciones tendrá como resultado la muerte o lesiones graves.**

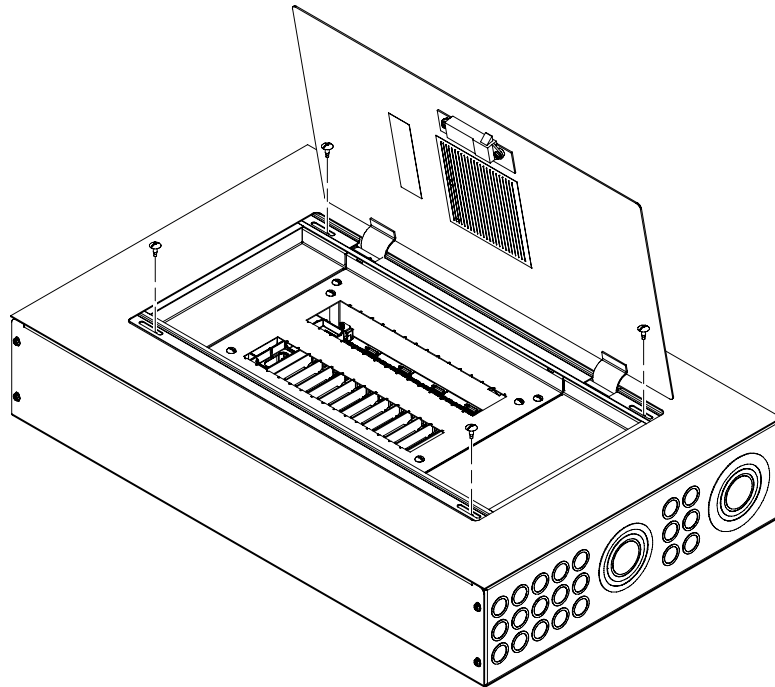
## Instalación de la cubierta estándar de bajo amperaje

1. Coloque la abrazadera de soporte ubicada en la parte inferior de la cubierta frontal del borde del gabinete, tal como se muestra.



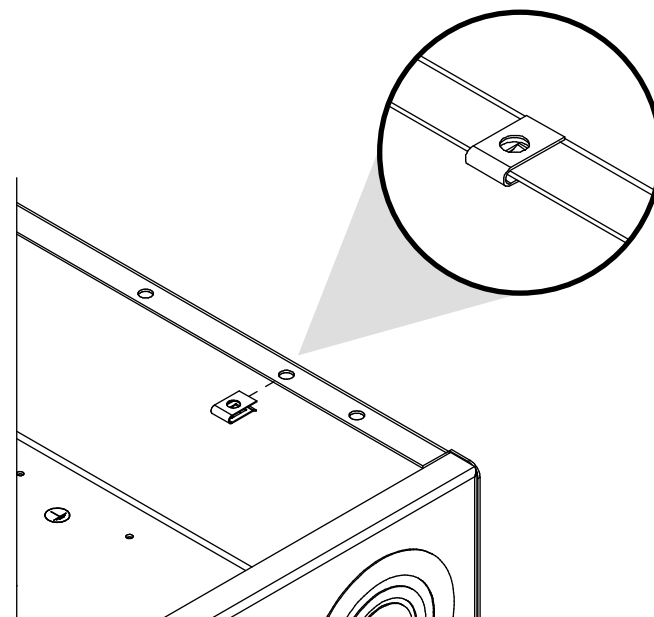
- Abra la puerta de la cubierta frontal. Alinee los agujeros para tornillos en los huecos de la puerta de la cubierta frontal con los orificios para tornillos del frente muerto del tablero de distribución y sujete con los tornillos autorroscantes de 10-32 x 19/32 pulg, incluidos en el kit.

**NOTA:** Para las aplicaciones de montaje empotrado, levante el interior hasta la ubicación correcta. Consulte el manual de información que acompaña al tablero de distribución para obtener más información.

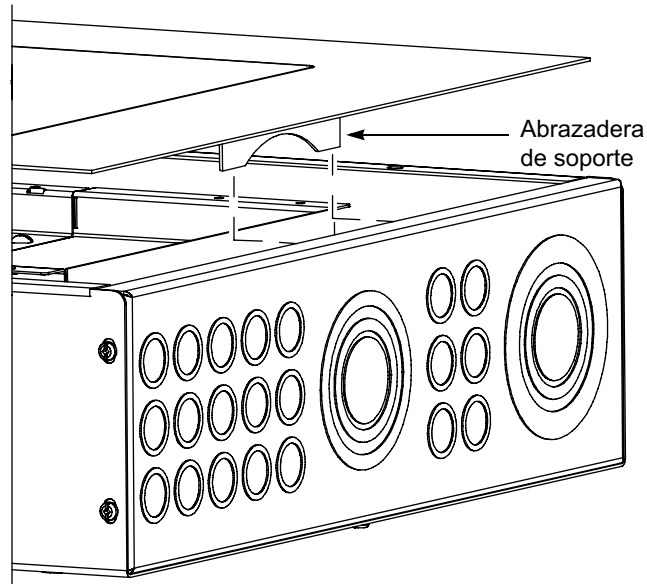


## Instalación de la cubierta con bisagras de bajo amperaje

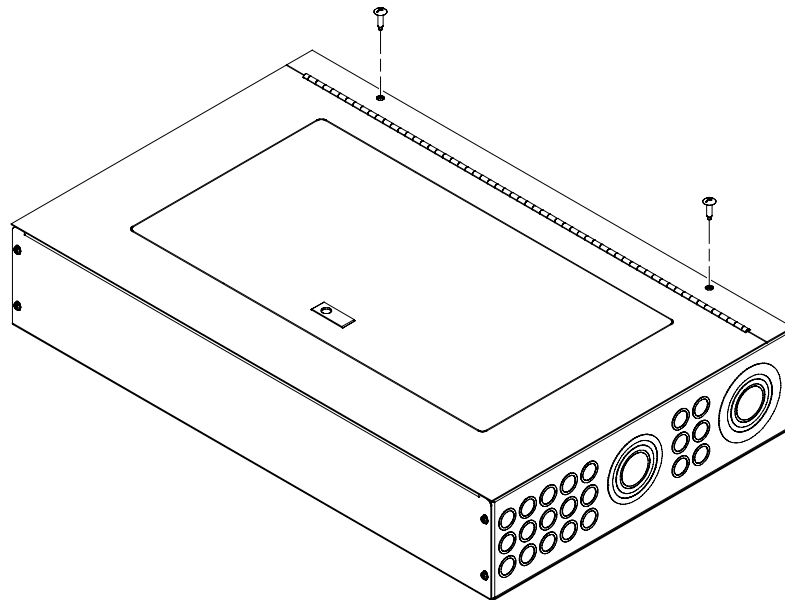
- Instale las tuercas resorte en el borde del gabinete, sobre los agujeros correspondientes a los agujeros de los tornillos de la cubierta frontal.



2. Coloque la abrazadera de soporte ubicada en la parte inferior de la cubierta frontal del borde del gabinete, tal como se muestra.

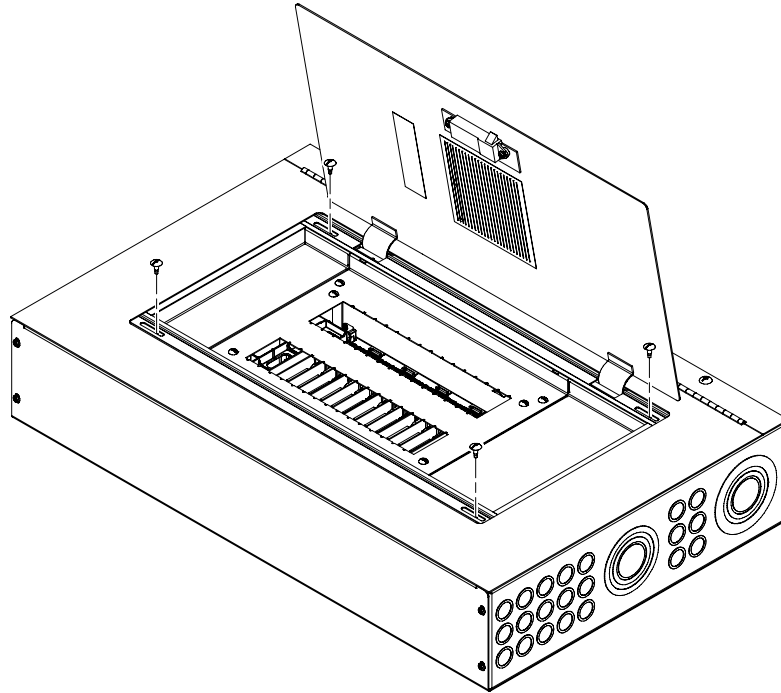


3. Alinee los agujeros para tornillos de la cubierta frontal con las tuercas resorte en el borde del gabinete y fíjelas con los tornillos de 1/4-20 x 1 pulg, incluidos en el kit.



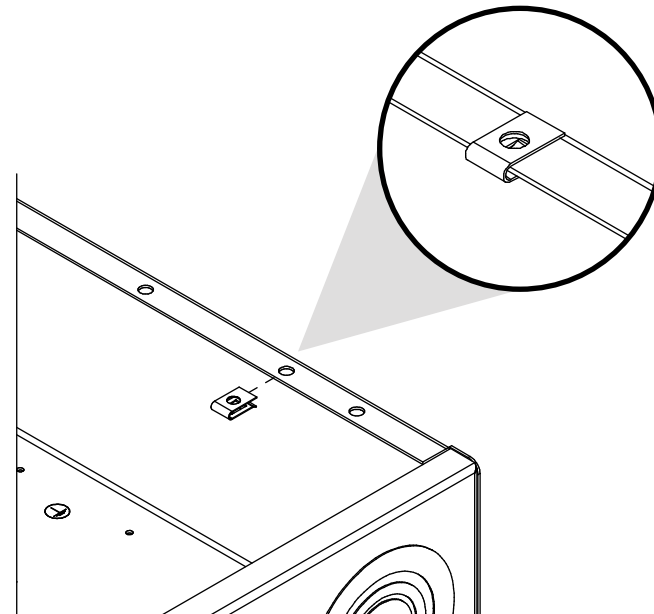
- Abra la puerta de la cubierta frontal. Alinee los agujeros para tornillos en los huecos de la puerta de la cubierta frontal con los orificios para tornillos del frente muerto del tablero de distribución y sujete con los tornillos autorroscantes de 10-32 x 19/32 pulg, incluidos en el kit.

**NOTA:** Para las aplicaciones de montaje empotrado, levante el interior hasta la ubicación correcta. Consulte el manual de información que acompaña al tablero de distribución para obtener más información.



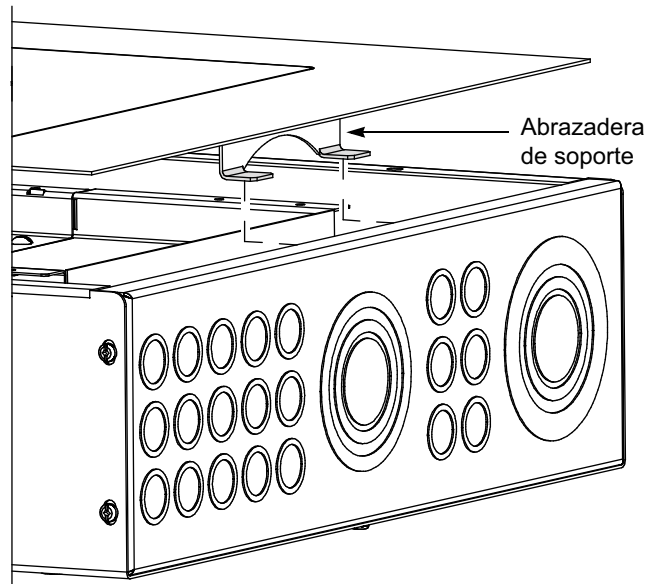
## Instalación de la cubierta estándar o con bisagras de alto amperaje

- Instale las tuercas resorte en el borde del gabinete, sobre los agujeros correspondientes a los agujeros de los tornillos de la cubierta frontal.



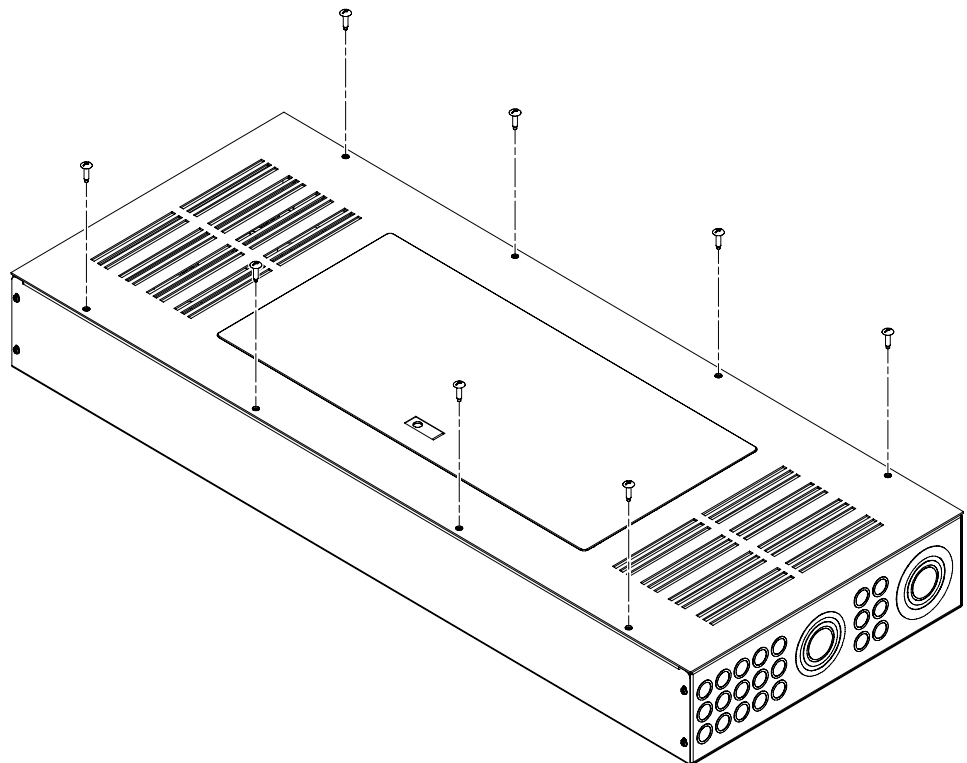
2. Coloque la abrazadera de soporte ubicada en la parte inferior de la cubierta frontal del borde del gabinete, tal como se muestra.

**NOTA:** Imagen de la cubierta estándar. Abrazadera de soporte de la cubierta ilustrada en Instalación de la cubierta con bisagras de bajo amperaje, página 11



3. Alinee los agujeros para tornillos de la cubierta frontal con las tuercas resorte en el borde del gabinete y fíjelas con los tornillos autorroscantes de 1/4-20 x 1 pulg, incluidos en el kit.

**NOTA:** Para las aplicaciones de montaje empotrado, levante el interior hasta la ubicación correcta. Consulte el manual de información que acompaña al tablero de distribución para obtener más información.





Importado en México por: **Schneider Electric México, S.A. de C.V.**  
Av. Ejercito Nacional No. 904  
Col. Palmas, Polanco 11560  
México, D.F.

55-5804-5000

[www.se.com/mx](http://www.se.com/mx)

Debido a que las normas, las especificaciones y el diseño cambian de vez en cuando, solicite confirmación de la información brindada en esta publicación.

© 2009 – 2022 **Schneider Electric**. Reservados todos los derechos

80043-740-01



# Garnitures avant NC/NQC standard et à charnières NC

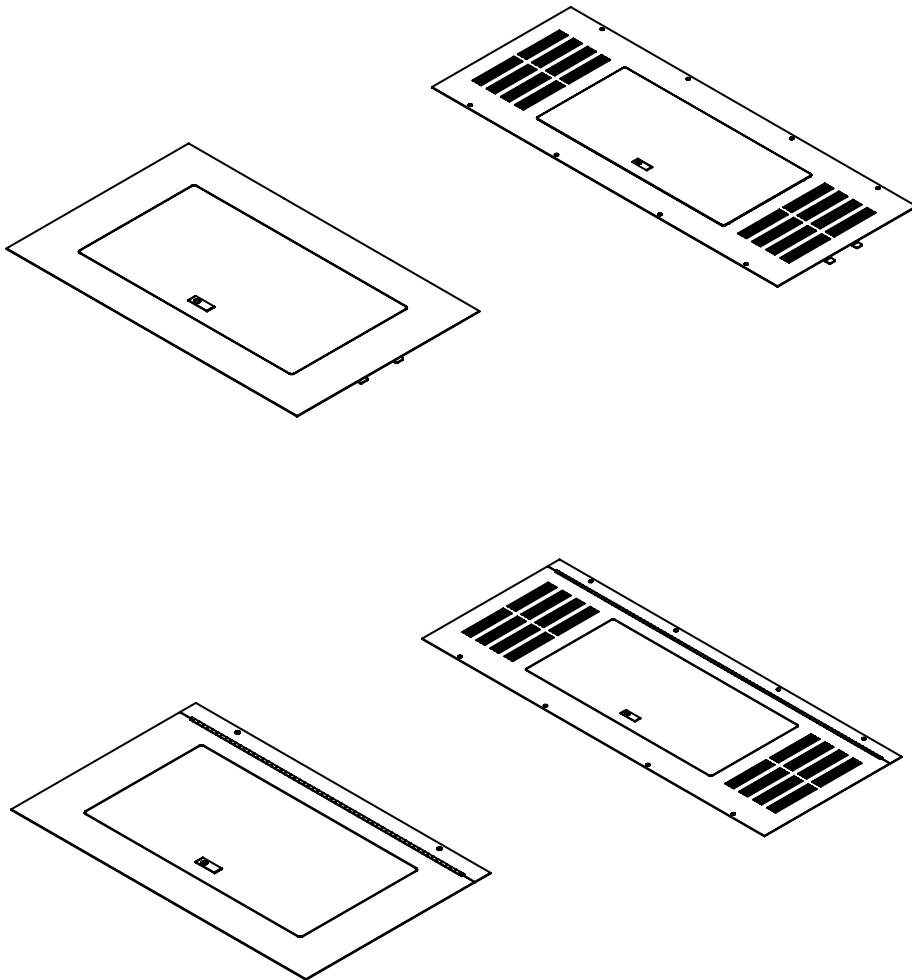
Installation sur un tableau de distribution NQ, NQ de 14 po de largeur ou NF

Classes 1640 et 1670

Directives d'utilisation

À conserver pour usage ultérieur.

80043-740-01  
08/2022



# Information juridique

La marque Schneider Electric et toutes les marques déposées de Schneider Electric SE et de ses filiales mentionnées dans le présent guide sont la propriété de Schneider Electric SE et de ses filiales. Toutes les autres marques peuvent être des marques de commerce de leurs détenteurs respectifs. Le présent guide et son contenu sont protégés par les lois applicables sur les droits d'auteur et sont fournis à titre d'information seulement. Aucune partie du présent guide ne peut être reproduite ni transmise sous aucune forme ni par aucun moyen que ce soit (électronique, mécanique, photocopie, enregistrement ou autre), à toute fin, sans l'autorisation écrite préalable de Schneider Electric.

Schneider Electric n'accorde aucun droit ni aucune licence pour l'utilisation commerciale du présent guide, sauf une licence non exclusive et personnelle pour le consulter sur une base « tel quel ».

Les produits et l'équipement de Schneider Electric doivent être installés, utilisés et maintenus par un personnel qualifié uniquement.

Alors que les normes, les spécifications et les designs changent à l'occasion, l'information contenue dans le présent guide peut être sujette à modification sans préavis.

Dans la mesure autorisée par les lois applicables, aucune responsabilité n'est assumée par Schneider Electric et ses filiales pour toute erreur ou omission dans le contenu informatif de la présente documentation, ni pour toute conséquence découlant de l'utilisation de l'information contenue ici ou causée par celle-ci.



## Table des matières


Safety Information .....	5
Please Note .....	5
Introduction .....	6
Mesures de sécurité .....	7
Contenu .....	8
Quantités de quincaillerie .....	9
Outils nécessaires .....	9
Installation de la garniture avant .....	10
Installation d'une garniture standard pour faible intensité .....	10
Installation d'une garniture à charnières pour faible intensité .....	11
Installation d'une garniture standard ou à charnières pour intensité élevée .....	13



# Safety Information

Read these instructions carefully and look at the equipment to become familiar with the device before trying to install, operate, service, or maintain it. The following special messages may appear throughout this user guide or on the equipment to warn of hazards or to call attention to information that clarifies or simplifies a procedure.

- 


The addition of either symbol to a “Danger” or “Warning” safety label indicates that an electrical hazard exists which will result in personal injury if the instructions are not followed.
- 

This is the safety alert symbol. It is used to alert you to personal injury hazards. Obey all safety messages that follow this symbol to avoid possible injury or death.

<b>⚠ ⚠ DANGER</b>
<b>DANGER</b> indicates a hazardous situation which, if not avoided, <b>will result in</b> death or serious injury.

<b>⚠ WARNING</b>
<b>WARNING</b> indicates a hazardous situation which, if not avoided, <b>could result in</b> death or serious injury.

<b>⚠ CAUTION</b>
<b>CAUTION</b> indicates a hazardous situation which, if not avoided, <b>could result in</b> minor or moderate injury.

<b>NOTICE</b>
<b>NOTICE</b> is used to address practices not related to physical injury.

**REMARQUE:** Provides additional information to clarify or simplify a procedure.

## Please Note

Electrical equipment should be installed, operated, serviced, and maintained only by qualified personnel. No responsibility is assumed by Schneider Electric for any consequences arising out of the use of this material.

A qualified person is one who has skills and knowledge related to the construction, installation, and operation of electrical equipment and has received safety training to recognize and avoid the hazards involved.

Electrical equipment should be transported, stored, installed, and operated only in the environment for which it is designed.

# Introduction

Ces directives contiennent des instructions pour l'installation d'une garniture avant NC/NQC standard ou à charnières de marque Square D™ sur un panneau de distribution NQ ou NF de 14 po de largeur de marque Square D fabriqué par Schneider Electric.

## Mesures de sécurité

### **⚠ DANGER**

#### **RISQUE D'ÉLECTROCUTION, D'EXPLOSION OU D'ÉCLAIR D'ARC**

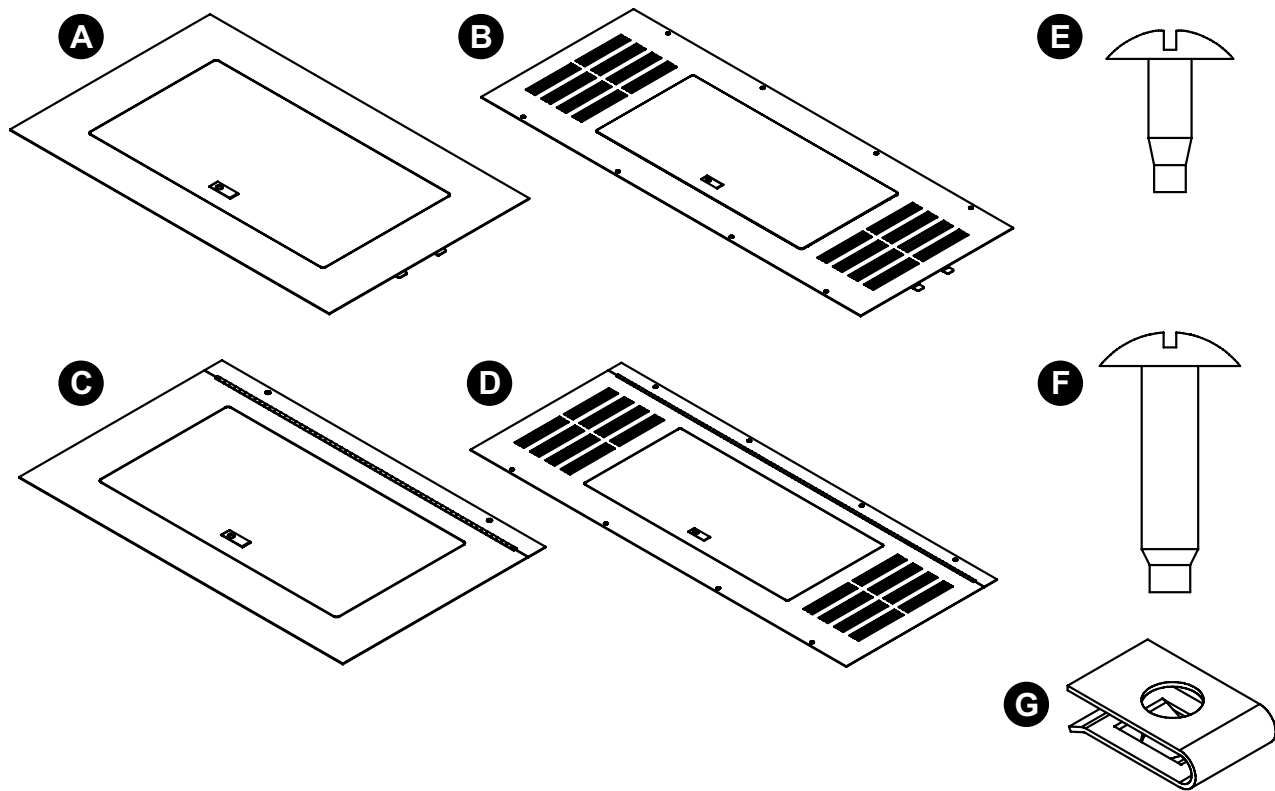
- Portez un équipement de protection individuelle (ÉPI) approprié et observez les méthodes de travail électrique sécuritaire. Voir NFPA 70E, CAN/CSA Z462 ou NOM-029-STPS.
- Seul un personnel qualifié doit effectuer l'installation et l'entretien de cet appareil.
- Coupez toutes les alimentations à cet appareil avant d'y travailler.
- Utilisez toujours un dispositif de détection de tension avec la valeur nominale appropriée pour s'assurer que l'alimentation est coupée.
- Remplacez tous les dispositifs, les portes et les couvercles avant de mettre l'appareil sous tension.

**Le fait de ne pas suivre ces instructions entraînera des blessures graves, voire mortelles.**



**AVERTISSEMENT :** Ce produit peut vous exposer à des produits chimiques, notamment des composés de nickel, reconnus par l'État de Californie comme pouvant causer le cancer et du bisphénol A (BPA), reconnu par l'État de Californie comme pouvant causer des anomalies congénitales ou d'autres troubles de la reproduction. Pour plus d'informations, consulter [www.P65Warnings.ca.gov](http://www.P65Warnings.ca.gov).

## Contenu



A	NC26S à NC92S, NQC32S à NQC50S, NC26F à NC92F et NQC32F à NQC50F – garnitures uniquement : garnitures avant intérieures pour faible intensité standard. <sup>1</sup>	E	Vis autotaraudeuses 10-32 × 19/32 po. (Les quantités varient selon le kit. Voir Quantités de quincaillerie, page 9.)
B	NC44VS à NC92VS et NC44VF à NC92VF – garnitures uniquement : garnitures avant intérieures pour intensité élevée standard. <sup>1</sup>	F	Vis autotaraudeuses 1/4-20 × 1 po. (Les quantités varient selon le kit. Voir Quantités de quincaillerie, page 9.)
C	NC26SHR à NC92SHR et NC26FHR à NC92FHR – garnitures uniquement : garnitures avant intérieures pour faible intensité avec charnières. <sup>1</sup>	G	Écrou à ressort 1/4-20 (Les quantités varient selon les kits. Voir Quantités de quincaillerie, page 9.)
D	NC44VSHR à NC92VSHR et NC44VFHR à NC92VFHR – garnitures uniquement : garnitures avant intérieures pour intensité élevée à charnières. <sup>1</sup>		

**REMARQUE:** Le contenu n'est pas représenté à l'échelle.

1. Les garnitures avant intérieures pour faible intensité avec et sans charnières sont prévues pour 100 et 225 A (NQ) ou 125 et 250 A (NF). Les garnitures avant intérieures pour intensité élevée avec et sans charnières sont prévues pour 400 et 600 A (NQ) ou 400, 600 et 800 A (NF).



## Quantités de quincaillerie

Article	NC26		NC32		NC38		NC44		NC50		NC56	
	Type	Qté	Type	Qté	Type	Qté	Type	Qté	Type	Qté	Type	Qté
E	S/F	4	S/F	4	S/F	6	S/F	6	S/F	6	S/F	6
	S/FHR	4	S/FHR	4	S/FHR	6	S/FHR	6	S/FHR	6	S/FHR	8
F/G	S/FHR	4	S/FHR	4	S/FHR	4	S/FHR	4	S/FHR	4	S/FHR	4
	–	–	–	–	–	–	VS/F	8	VS/F	8	VS/F	9
	–	–	–	–	–	–	VS/FHR	8	VS/FHR	8	VS/FHR	8

Article	NC62		NC68		NC74		NC80		NC86		NC92	
	Type	Qté	Type	Qté	Type	Qté	Type	Qté	Type	Qté	Type	Qté
E	S/F	8	S/F	8	S/F	10	S/F	10	S/F	10	S/F	10
	S/FHR	8	S/FHR	8	S/FHR	10	S/FHR	10	S/FHR	10	S/FHR	10
F/G	S/FHR	4	S/FHR	4	S/FHR	4	S/FHR	4	S/FHR	10	S/FHR	10
	VS/F	8	VS/F	8	VS/F	8	VS/F	8	VS/F	10	VS/F	10
	VS/FHR	8	VS/FHR	8	VS/FHR	8	VS/FHR	8	VS/FHR	10	VS/FHR	10

Article	NQC26		NQC32		NQC38		NQC44		NQC50	
	Type	Qté	Type	Qté	Type	Qté	Type	Qté	Type	Qté
E	S/F	4	S/F	4	S/F	6	S/F	6	S/F	6
	–	–	–	–	–	–	–	–	–	–
F/G	–	–	–	–	–	–	–	–	–	–
	–	–	–	–	–	–	–	–	–	–
	–	–	–	–	–	–	–	–	–	–

S = Montage en surface, F = Montage encastré, HR = Charnière à droite, V = Ventilé.

**REMARQUE:** Ces quantités s'appliquent également aux garnitures avant spéciales.

## Outils nécessaires



- Tournevis Robertson® (à tête carrée) n° 2
- Tournevis à tête plate ou cruciforme

## Installation de la garniture avant



### ⚠ DANGER

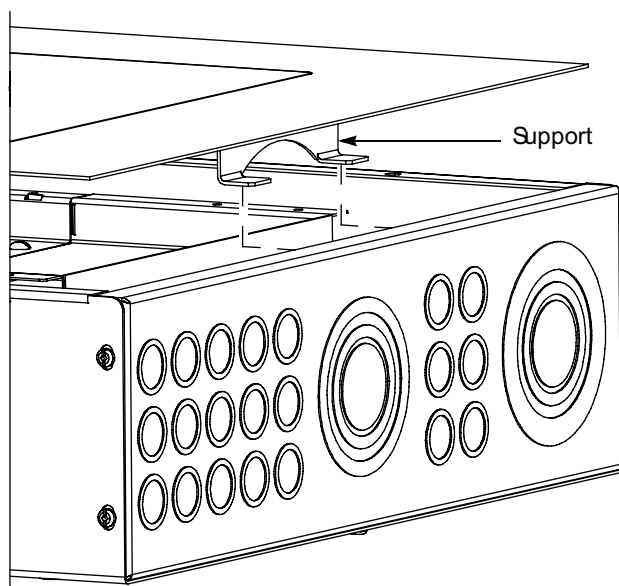
#### RISQUE D'ÉLECTROCUTION, D'EXPLOSION OU D'ÉCLAIR D'ARC

- Portez un équipement de protection individuelle (ÉPI) approprié et observez les méthodes de travail électrique sécuritaire. Voir NFPA 70E, CAN/CSA Z462 ou NOM-029-STPS.
- Seul un personnel qualifié doit effectuer l'installation et l'entretien de cet appareil.
- Coupez l'alimentation de l'appareil avant d'y travailler.
- Utilisez toujours un dispositif de détection de tension avec la valeur nominale appropriée pour s'assurer que l'alimentation est coupée.
- Les codes locaux varient mais sont adoptés et appliqués pour assurer des installations électriques sécuritaires. Il peut être nécessaire d'obtenir un permis pour exécuter des travaux sur des circuits électriques et certains codes peuvent exiger que le travail électrique accompli soit inspecté.
- Remettre en place tous les dispositifs, les portes et les couvercles avant de mettre l'appareil sous tension.

**Le fait de ne pas suivre ces instructions entrainera des blessures graves, voire mortelles.**

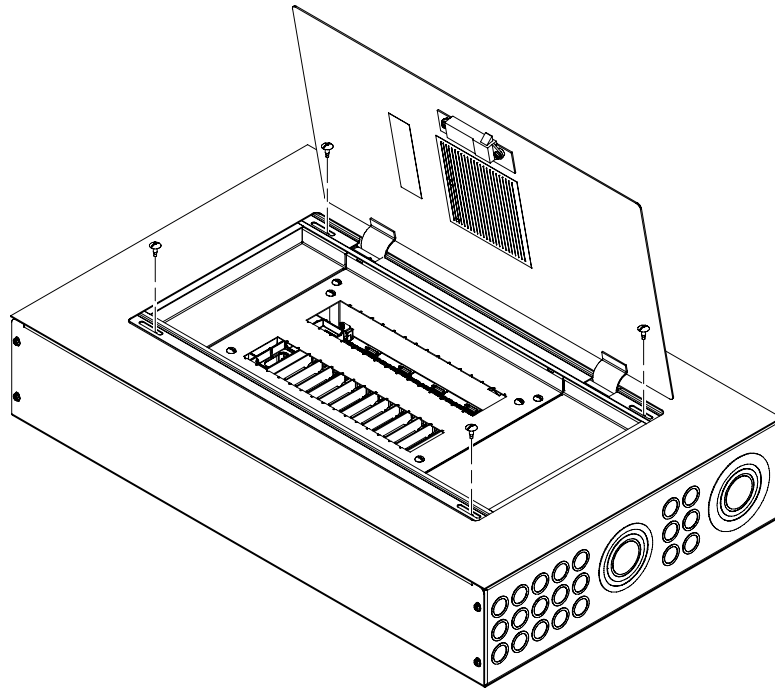
## Installation d'une garniture standard pour faible intensité

1. Placer le support situé au bas de la garniture avant sur le rebord du boîtier, comme indiqué.



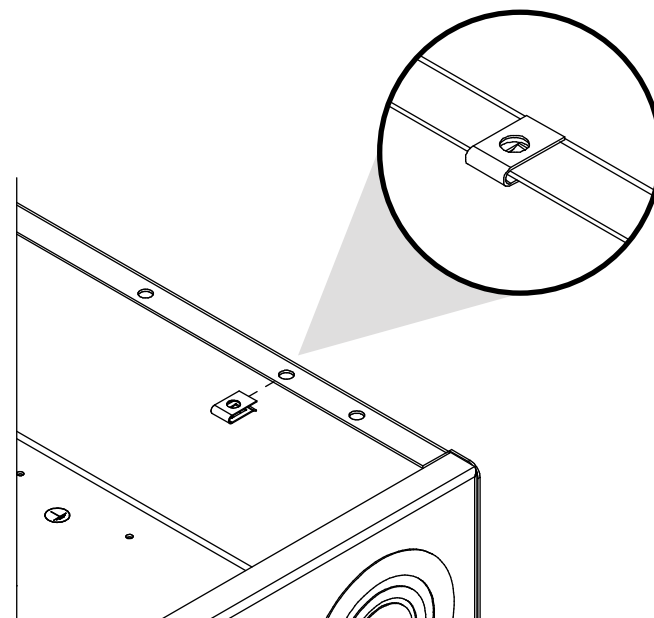
2. Ouvrir la porte de la garniture avant. Aligner les trous de vis dans les renforcements de la porte de garniture avant avec les trous de vis de la face isolée du tableau de distribution et visser avec les vis autotaraudeuses 10-32 × 19/32 po fournies dans le kit.

**REMARQUE:** Pour les montages encastrés, lever l'intérieur à la bonne hauteur. Pour plus d'informations, consulter le manuel fourni avec le tableau de distribution.

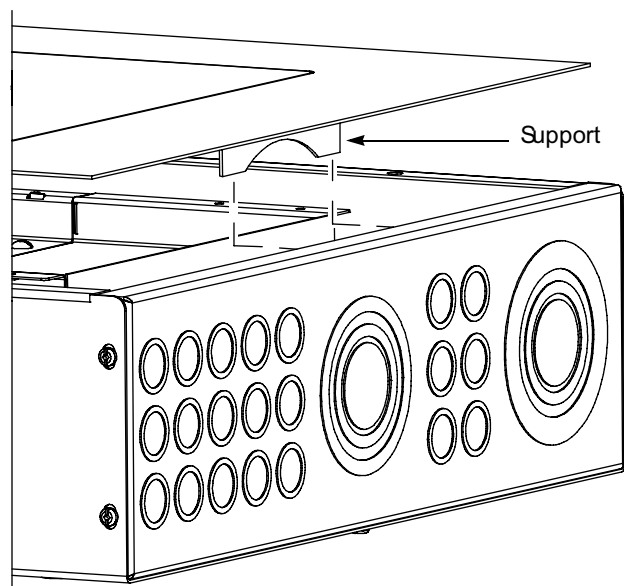


## Installation d'une garniture à charnières pour faible intensité

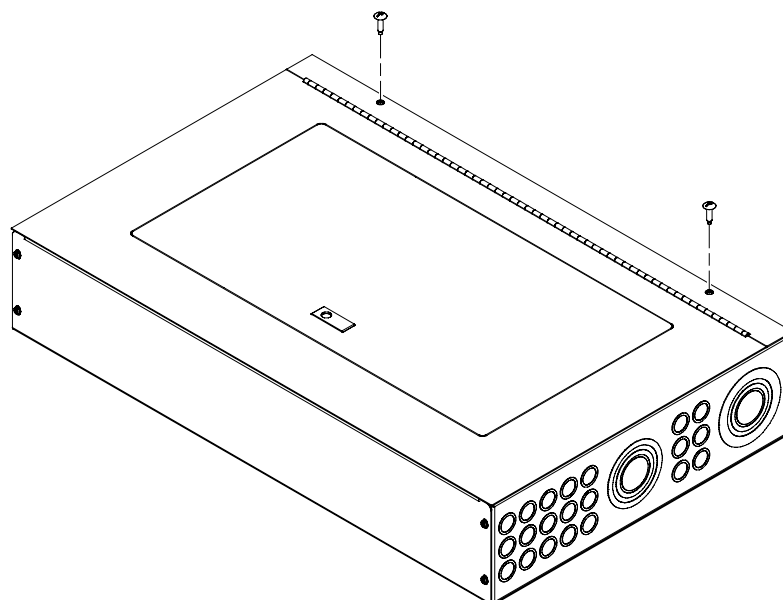
1. Installer les écrous à ressort sur le rebord du boîtier, dans les trous correspondant aux trous de vis de la garniture avant.



2. Placer le support situé au bas de la garniture avant sur le rebord du boîtier, comme indiqué.

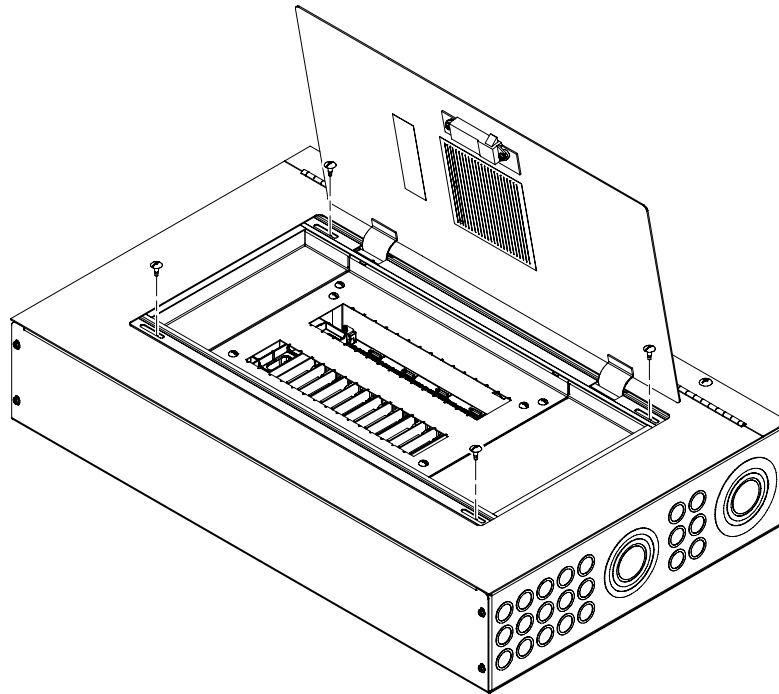


3. Aligner les trous de vis de la garniture avant avec les écrous à ressort sur le rebord du boîtier et visser avec les vis 1/4-20 × 1 po fournies dans le kit.



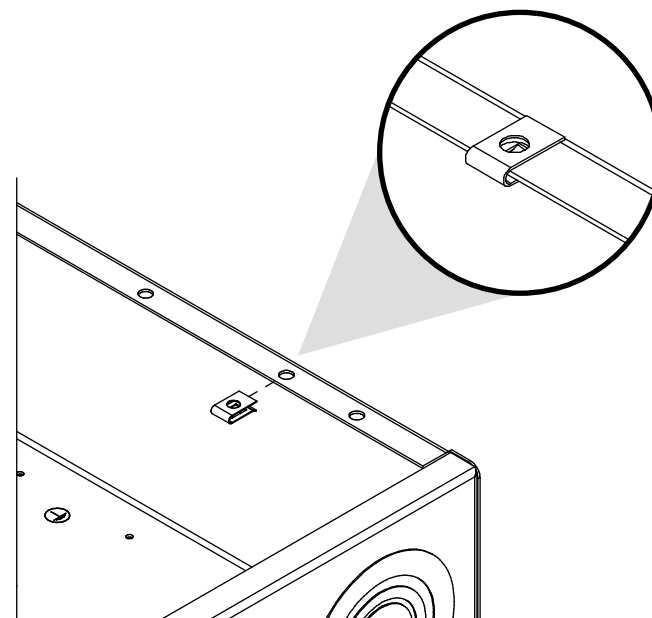
4. Ouvrir la porte de la garniture avant. Aligner les trous de vis dans les renforcements de la porte de garniture avant avec les trous de vis de la face isolée du tableau de distribution et visser avec les vis autotaraudeuses 10-32 × 19/32 po fournies dans le kit.

**REMARQUE:** Pour les montages encastrés, lever l'intérieur à la bonne hauteur. Pour plus d'informations, consulter le manuel fourni avec le tableau de distribution.



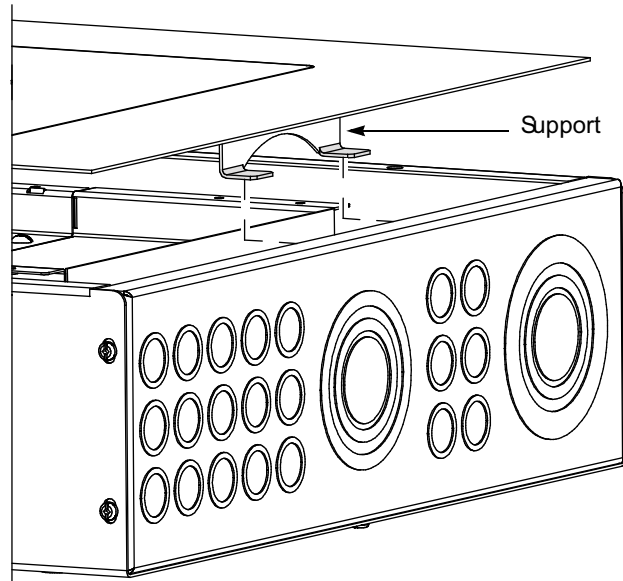
## Installation d'une garniture standard ou à charnières pour intensité élevée

1. Installer les écrous à ressort sur le rebord du boîtier, dans les trous correspondant aux trous de vis de la garniture avant.



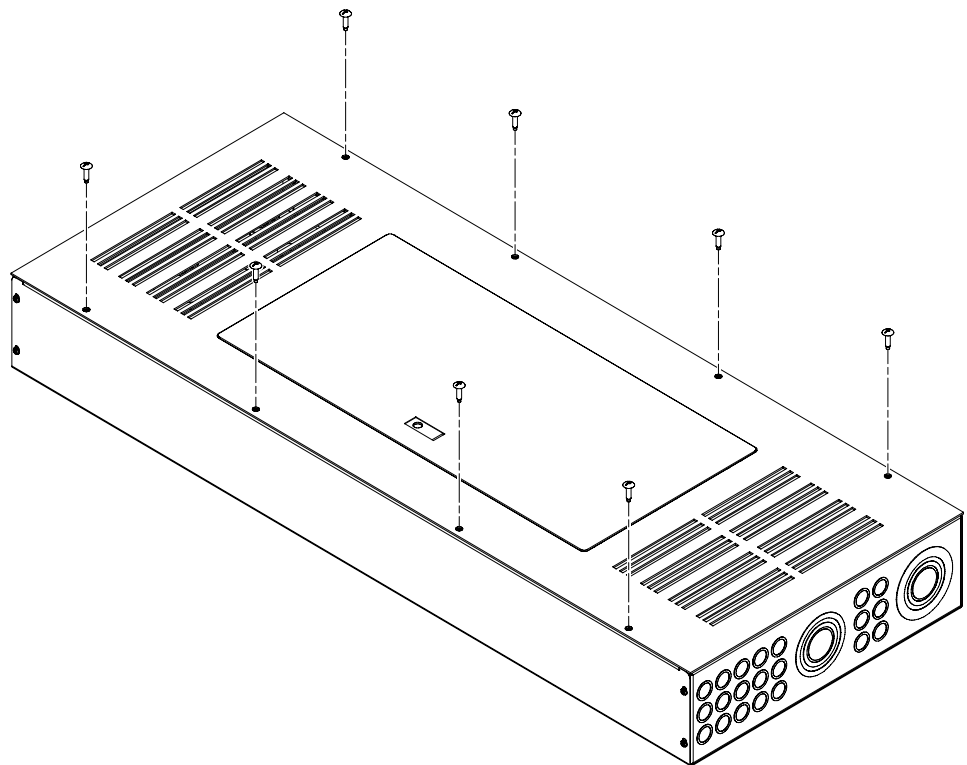
- Placer le support situé au bas de la garniture avant sur le rebord du boîtier, comme indiqué.

**REMARQUE:** Garniture standard représentée. Support de garniture à charnières illustré à la Installation d'une garniture à charnières pour faible intensité, page 11.



- Aligner les trous de vis de la garniture avant avec les écrous à ressort sur le rebord du boîtier et visser avec les vis autotaraudeuses 1/4-20 × 1 po fournies dans le kit.

**REMARQUE:** Pour les montages encastrés, lever l'intérieur à la bonne hauteur. Pour plus d'informations, consulter le manuel fourni avec le tableau de distribution.





Schneider-Electric Canada, Inc.  
5985 McLaughlin Road  
Mississauga, ON L5R 1B8  
Canada

800-565-6699

[www.se.com/ca](http://www.se.com/ca)

Puisque les normes, caractéristiques techniques et conceptions  
changent à l'occasion, assurez-vous de vérifier si les renseignements  
contenus dans la présente publication

© 2009 – 2022 Schneider Electric. Tous droits réservés.

80043-740-01