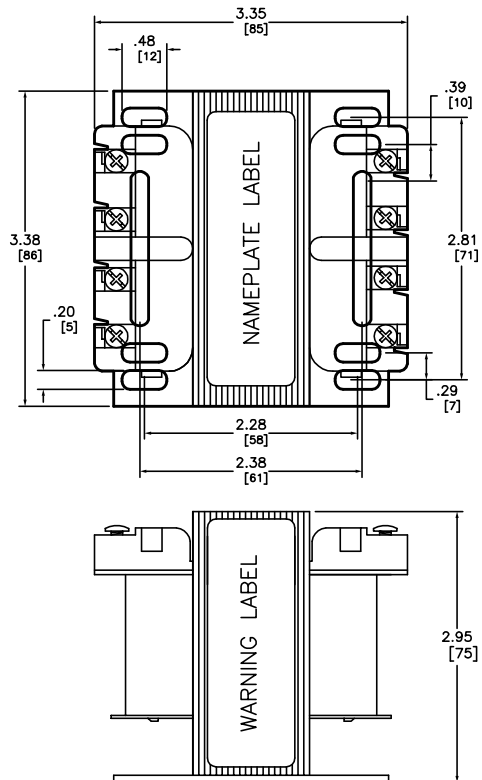


J:\wip\209\control online\5843.DWG 07/22/2008 12:13:22 PM

CATALOG NUMBER	PRIMARY VOLTAGE	SECONDARY VOLTAGE	50/60 Hz 1 PHASE		APPROXIMATE WEIGHT (Lbs/Kg)
			UL/cUL/CSA/NOM RATINGS (VA)	CE RATINGS (VA)	
9070T75D1	220/440 230/460 240/480	110 115 120	75	75	3.9 / 1.7
9070T75D2	240/480	24	75	75	3.8 / 1.7
9070T75D3	208	120	75	75	3.9 / 1.7
9070T75D4	277	120	75	75	3.8 / 1.7
9070T75D5	550 575 600	110 115 120	75	75	3.5 / 1.6
9070T75D12	440 460 480	220 230 240	75	75	3.8 / 1.7
9070T75D13	120	12/24	75	75	3.9 / 1.7
9070T75D14	208	24	75	75	3.9 / 1.7
9070T75D15	240/480	24/120	75	75	3.8 / 1.7
9070T75D22	480	277	75	75	3.6 / 1.6
9070T75D23	120/240	24	75	75	3.8 / 1.7
9070T75D24	110 115 120	110 115 120	75	75	3.9 / 1.7
9070T75D25	277	24	75	75	3.9 / 1.7
9070T75D31	220/440 230/460 240/480	110/220 115/230 120/240	75	75	3.8 / 1.7
9070T75D32	220/440/550 230/460/575 240/480/600	90/110 95/115 100/120	75	75	3.5 / 1.6
9070T75D33	380/400/415	115/230	75	75	3.9 / 1.7
9070T75D36	600	12/24	75	75	3.9 / 1.7
9070T75D37	550 575 600	110/220 115/230 120/240	75	75	3.9 / 1.7
9070T75D51	208/277	120	75	75	3.7 / 1.6
9070T75D52	380/400/415	12/24	75	75	3.7 / 1.6
9070T75D54	120/240	12/24	75	75	3.8 / 1.7
9070T75D55	110/220 115/230 120/240	110/220 115/230 120/240	75	75	3.8 / 1.7
9070T75D59	240/480	12/24	75	75	3.8 / 1.7
9070T75D60	277	120/240	75	75	3.9 / 1.7
9070T75D62	600	240	75	75	3.9 / 1.7



FILES/STANDARDS:  
 UL/cUL FILE: E61239  
 CSA FILE: LR37055  
 CE: TÜV CERTIFIED TO 61558  
 NOM 117

75VA-CONTROL POWER TRANSFORMER  
 9070 TYPE T  
 CATALOG NUMBERS: FROM CHART



DWG# 5843  
 NO.