

**INLINE EMC, TYPE 1**

**INDUSTRY STANDARDS**

Mounting brackets required to meet UL/CSA external mounting requirement.

UL 508A Listed; Type 1; File No. E61997  
 cUL Listed per CSA C22.2 No. 94; Type 1; File No. E61997

NEMA/EEMAC Type 1  
 IEC 60529, IP40

**APPLICATION**

INLINE EMC Enclosures provide style, functionality and EMC protection. The flush body-to-door design can be secured by either screws or quarter-turn latches, making these enclosures an excellent choice for applications requiring an aesthetic appearance.

**SPECIFICATIONS**

- 16 gauge (1.5-mm) steel
- Seams continuously welded and ground smooth
- External formed body flange channels away liquids

- Large perimeter body opening
- Mounting holes in back of body for direct mounting or optional external mounting brackets
- Bonding provision cover and body
- Metalized non-woven fabric EMI/RFI material covering UL94HP-rated urethane foam gasket
- Plated interior surfaces for gasket contact areas and conduit entries
- Hardware kit includes panel mounting screws, grounding hardware and sealing washers for wall-mounting holes
- Installation instructions
- Shielding effectiveness greater than 50 dB at 1 GHz

**INLINE EMC Screw-Cover Enclosures**

- Captivated cover screws with sealing bushings
- Integral gasket compression stops

**INLINE EMC Hinged-Door Enclosures**

- Door opens 180 degrees
- Removable hinged door
- Self-grounding, slotted quarter-turn latch

**FINISH**

Textured RAL 7035 light-gray polyester powder paint inside and out over a plated interior

**ACCESSORIES**

- Panels
- Mounting Bracket Kit
- Lock Inserts
- Wing Knob Latch
- Grounding Kit
- DIN Rail or Panel-Mounting Brackets
- DIN3 Type Rails

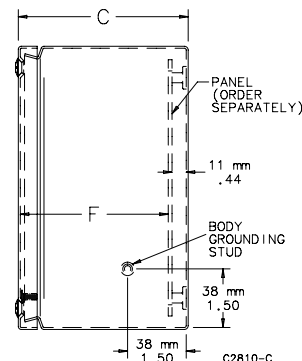
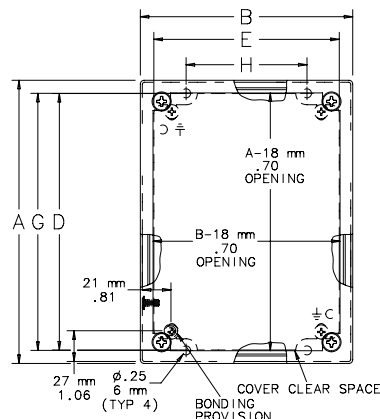
**BULLETIN: A53**

**Standard Product | INLINE Screw-Cover EMC Enclosures**

Catalog Number	AxBxC mm/in.	Panel	Conductive Panel	Panel Size D x E mm/in.	Mounting G x H mm/in.	F mm/in.
LSC151512EMC	150 x 150 x 120 5.91 x 5.91 x 4.72	LP1515	LP1515G	131 x 131 5.16 x 5.16	132 x 85 5.20 x 3.35	105 4.13
LSC201512EMC	200 x 150 x 120 7.87 x 5.91 x 4.72	LP2015	LP2015G	181 x 131 7.13 x 5.16	182 x 85 7.17 x 3.35	105 4.13
LSC252015EMC	250 x 200 x 150 9.84 x 7.87 x 5.91	LP2520	LP2520G	231 x 181 9.09 x 7.13	232 x 135 9.13 x 5.31	135 5.31
LSC302515EMC	300 x 250 x 150 11.81 x 9.84 x 5.91	LP3025	LP3025G	281 x 231 11.06 x 9.09	282 x 185 11.10 x 7.28	135 5.31
LSC353020EMC	350 x 300 x 200 13.78 x 11.81 x 7.87	LP3530	LP3530G	331 x 281 13.03 x 11.06	332 x 235 13.07 x 9.25	185 7.28

Purchase panels separately.

INLINE Screw Cover Enclosure

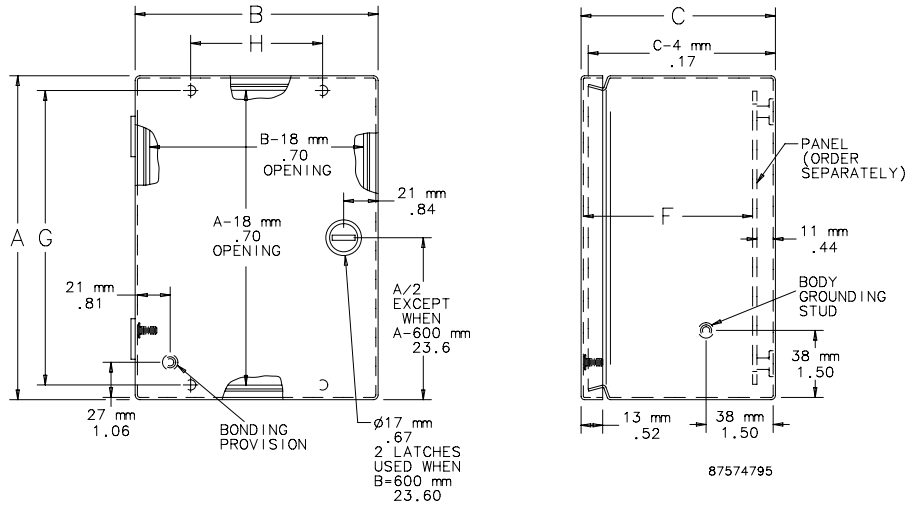


NOTE: Rear mounting holes will accommodate M6-1.0 or 1/4-20 UNC mounting screws (supplied by customer)

Standard Product **INLINE Hinged-Door EMC Enclosures**

Catalog Number	AxBxC mm/in.	Panel	Conductive Panel	Panel Size D x E mm/in.	Mounting G x H mm/in.	F mm/in.
LHC151512EMC	150 x 150 x 120 5.91 x 5.91 x 4.72	LP1515	LP1515G	131 x 131 5.16 x 5.16	132 x 85 5.20 x 3.35	105 4.13
LHC201512EMC	200 x 150 x 120 7.87 x 5.91 x 4.72	LP2015	LP2015G	181 x 131 7.13 x 5.16	182 x 85 7.17 x 3.35	105 4.13
LHC252015EMC	250 x 200 x 150 9.84 x 7.87 x 5.91	LP2520	LP2520G	231 x 181 9.09 x 7.13	232 x 135 9.13 x 5.31	135 5.31
LHC302515EMC	300 x 250 x 150 11.81 x 9.84 x 5.91	LP3025	LP3025G	281 x 231 11.06 x 9.09	282 x 185 11.10 x 7.28	135 5.31
LHC353020EMC	350 x 300 x 200 13.78 x 11.81 x 7.87	LP3530	LP3530G	331 x 281 13.03 x 11.06	332 x 235 13.07 x 9.25	185 7.28

Purchase panels separately.



**INLINE Hinged Cabinet Shielding Effectiveness**  
Standard Cabinet Compared to EMC Shielded Cabinet

