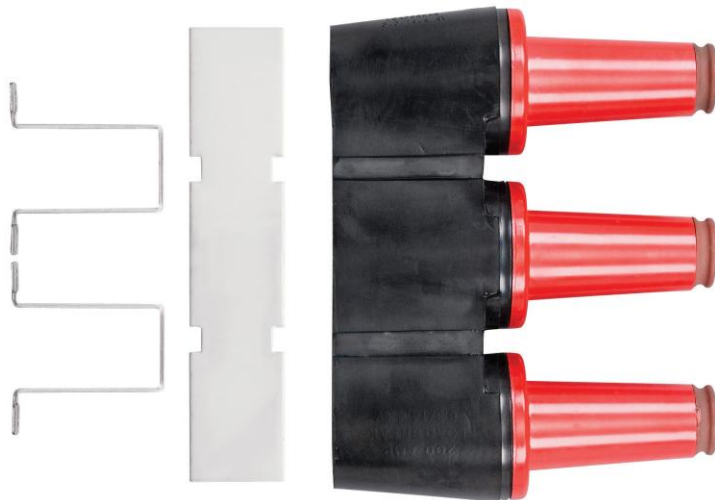


15kV	200A Loadbreak 3-Way Junction	w/ "U" Straps	164J3-5
------	-------------------------------	---------------	---------



**Note: Red PBT Interface Shield available soon**

## Features:

- 15kV, 200 Amp Loadbreak 3-Way Junction
- Fully shielded, fully submersible molded rubber housing
- 100% peroxide-cured construction includes insulation and conductive EPDM materials
- Provides mating for Elastimold® Elbow connectors
- Mounting "U" Straps for installation

## 164J3-5 Loadbreak 3-Way Junction

### Applications:

ELASTIMOLD® junctions are designed for subsurface, vault or padmount applications and can be used for sectionalizing, looping, tapping, and equipment bypass. Junctions are designed to mate with other ELASTIMOLD® products including:

- 15kV Family of Elbow Connectors
- 160GLR Grounding Elbow
- 370TR Test Rod
- 160DR/DRG Insulated Cap
- 167/168DRG Insulated Cap

ELASTIMOLD® loadbreak junctions, provide a fully shielded, fully submersible, separable, insulated assembly designed for energized operation. They are suitable for use on 15-kV class distribution systems, and rated for 200-ampere loadmake/loadbreak operation. Junctions are supplied with U-straps and back plates for front surface or back surface mounting.

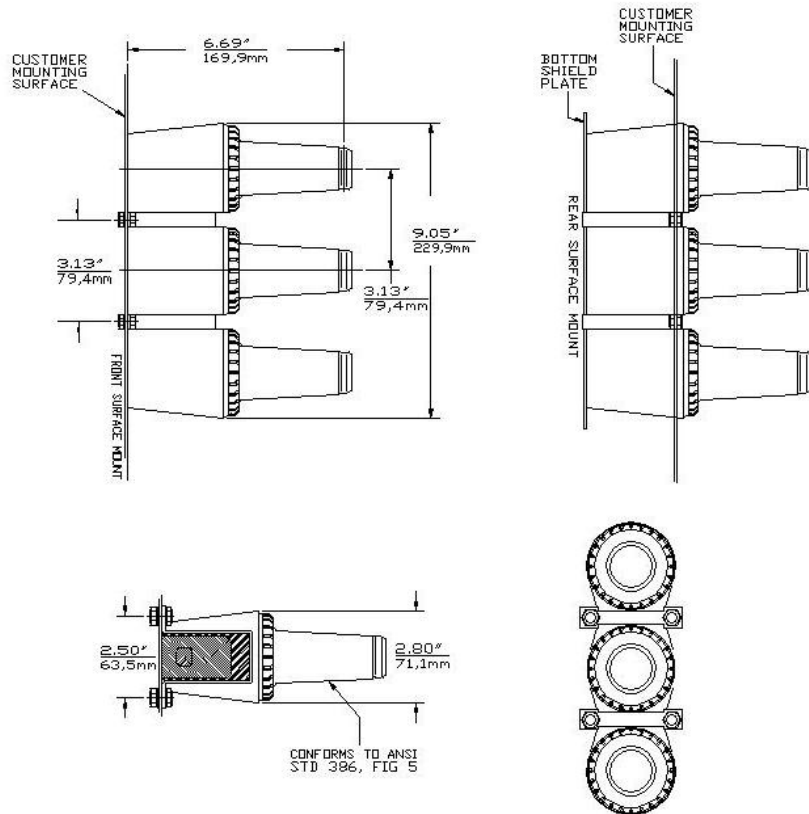
### Ratings:

Meets ANSI/IEEE Standard 386, Latest Revision

#### For 15kV Voltage Class:

8.3kV Phase-to-Ground – Operating Voltage  
 14.4kV Max Phase-to-Phase  
 95kV BIL – Impulse Withstand (1.2 x 50 microsecond wave)  
 34kV AC – One minute withstand  
 53kV DC – 15 minutes withstand  
 11kV AC – Corona Extinction @ 3pC sensitivity  
 200 Amp – Continuous and Loadbreak  
 10kA Sym – 10 Cycles Momentary & Fault Close

15kV	200A Loadbreak 3-Way Junction	w/ "U" Straps	164J3-5
------	-------------------------------	---------------	---------



**Each kit contains the following:**

- |   |                          |            |
|---|--------------------------|------------|
| 1 | Basic molded junction    | 164J3-5    |
| 3 | Protective shipping cap  | 1601-APC-1 |
| 1 | Junction Prepack         | 164J3-5    |
| 2 | Tube, lubricant          | 82-08      |
| 1 | Installation instruction | IS-0375    |

**Ordering Instructions:**

Specify **164J3-5** for 15kV, 200 Amp 3-way Loadbreak Junction.