



[Catalog Home](#)

Product Datasheet

ANDERSON FARGO

SD185C -- Strain Clamp, Quadrant, Heavy Duty



Strain Clamp, Quadrant, Heavy Duty, Aluminum, Conductor Range 1.3 - 1.85 in,
Fitting: Clevis

Product Specifications

Category Image



**Bolted
Deadends**

Aluminum & Bronze

Quadrant

Aluminum & Copper
Conductor

Series Image (Quadrant)



SD Series

Quadrant Dead End

Bolted, Aluminum

AAC, AAAC & ACSR
Conductor

PDF Catalog Page

[Click HERE to view the web page.](#)

Fitting Type

Clevis

Style

SD - Strain Clamp, Quadrant, Heavy Duty

Type

Bolted

Material

Aluminum

Fitting Catalog No.

CA-15-17-033

Voltage Application

Std

Body and Keeper Material

356 T6 Aluminum Alloy

Socket and Clevis Material

Galvanized Ductile Iron

Clevis Pin Material

Galvanized Ductile Iron

Cotter Pin Material

#302 Stainless Steel

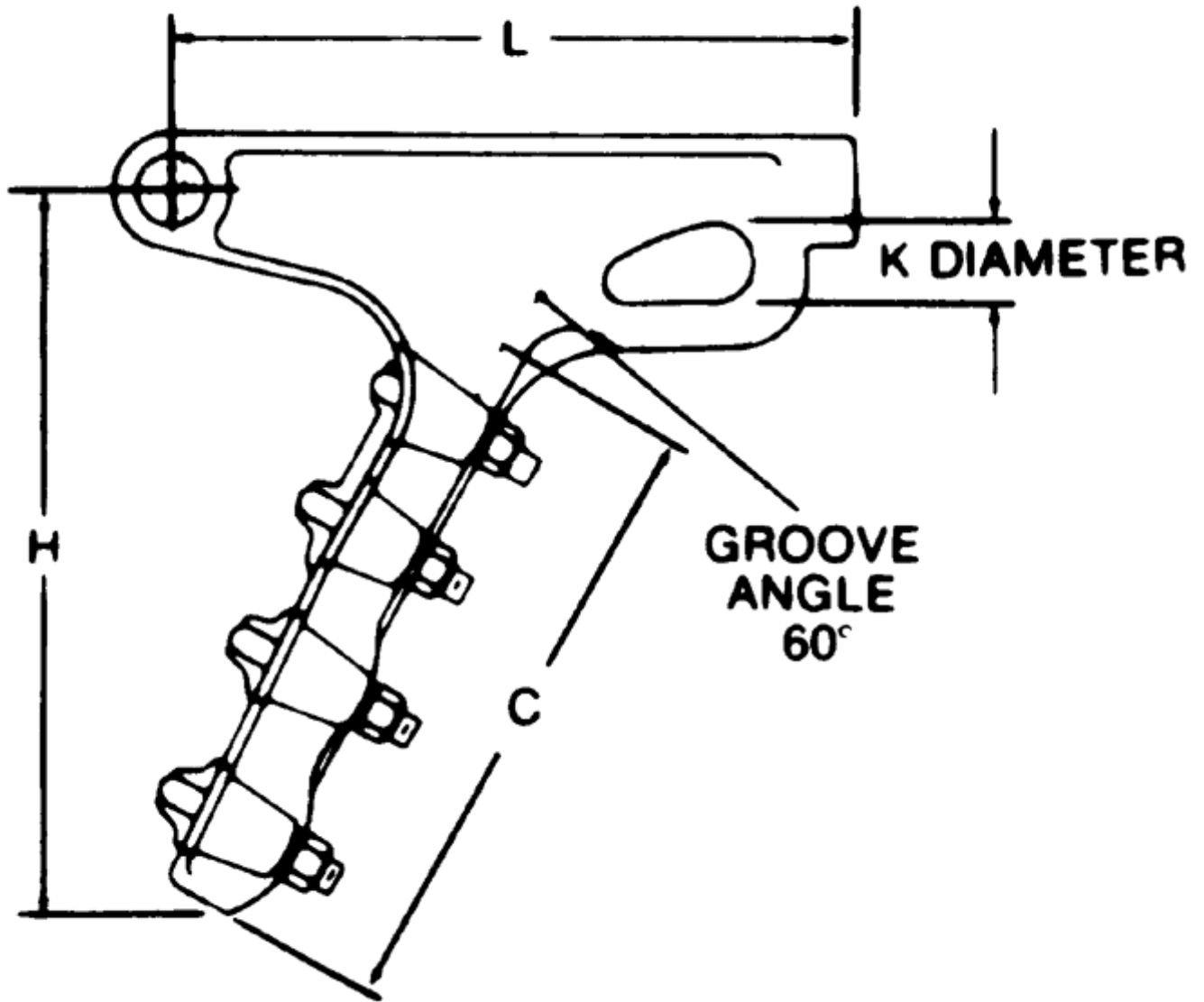
Hardware Material

Galvanized Steel

Ultimate Body Strength	30,000 lb (13,608 kg)
U-Bolts	5
Bolt Size	5/8 in (15.88 mm)
Dimension C	12 3/8 in (314.32 mm)
Dimension H	18 in (457.20 mm)
Dimension K	1 .50 in (38.1 mm)
Dimension L	17 in (431.80 mm)
Dimension W	1 7/8 in (47.63 mm)
Pin Diameter	0.750 in (19.05 mm)
Clevis Opening	.813 in (17.64 mm)
Conductor Range Minimum - Maximum	AAC 1272 kcmil (61) Thru AAC 2500 kcmil (127) ACSR 1192.5 kcmil (45/7) Thru ACSR 2312.0 kcmil (76/19) ACAR 1277.0 kcmil (54/7) Thru ACAR 2493.0 kcmil (72/19)
Minimum Conductor Diameter	1.3
Maximum Conductor Diameter	1.85
Weight / Ea.	21.85 lbs
Standard Package	3
UPC Code	09635932537

Compressed Product Number

SD185C



Dimensions

[Catalog Home](#)



[Warranty Info](#) | [Trademarks](#) | [Terms of Use](#)

All contents Copyright © 2007 Hubbell Power Systems, Inc. All rights reserved.

NOTE: Because Hubbell has a policy of continuous product improvement, we reserve the right to change design and specifications without notice.