



[Catalog Home](#)

**Product Datasheet**



**ANDERSON FARGO**

**V343 -- Terminal, Bronze Bolted**



Terminal, Bronze Bolted, Adapter, Transformer Terminal to Multiple 0.162-0.574 cables

**Product Specifications**

<p><b>Family Image</b></p>	 <p><b>Terminals</b></p>
<p><b>Terminals</b></p>	 <p><b>V Series</b> Adapter, Transformer Terminal to Multiple Cables Bronze Eyebolt Terminals</p>
<p><b>PDF Catalog Page</b></p>	<p><a href="#">Click HERE to view the web page.</a></p>
<p><b>Eyebolt Cable Connections</b></p>	<p>3</p>
<p><b>Clamping Hardware Material</b></p>	<p>Silicon Bronze</p>
<p><b>Minimum Conductor</b></p>	<p>0.162</p>
<p><b>Maximum Conductor</b></p>	<p>0.574</p>
<p><b>Material Type</b></p>	<p>Non-Standard</p>
<p><b>UPC Code</b></p>	<p>09635933387</p>
<p><b>Standard Package</b></p>	<p>21</p>
<p><b>Standard Package Unit</b></p>	<p>Each</p>
<p><b>Min Order Qty</b></p>	<p>1</p>
<p><b>Weight / Ea.</b></p>	<p>1.274 lbs</p>

**Compressed Product Number**



FIG. 1

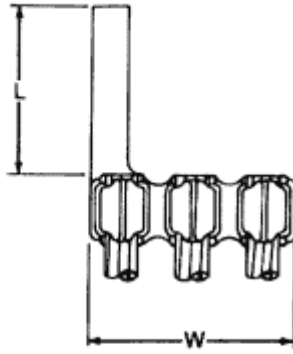
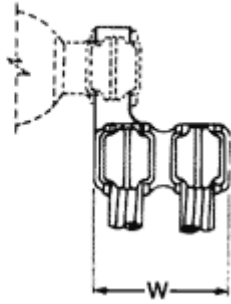


FIG 2

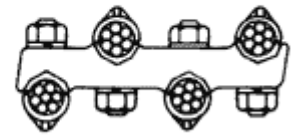
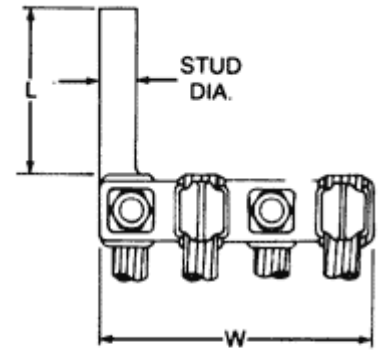


FIG. 3

Catalog Home



[Warranty Info](#) | [Trademarks](#) | [Terms of Use](#)

*All contents Copyright © 2007 Hubbell Power Systems, Inc. All rights reserved.*

NOTE: Because Hubbell has a policy of continuous product improvement, we reserve the right to change design and specifications without notice.