



[Catalog Home](#)

Product Datasheet



ANDERSON FARGO

V363 -- Terminal, Bronze Bolted

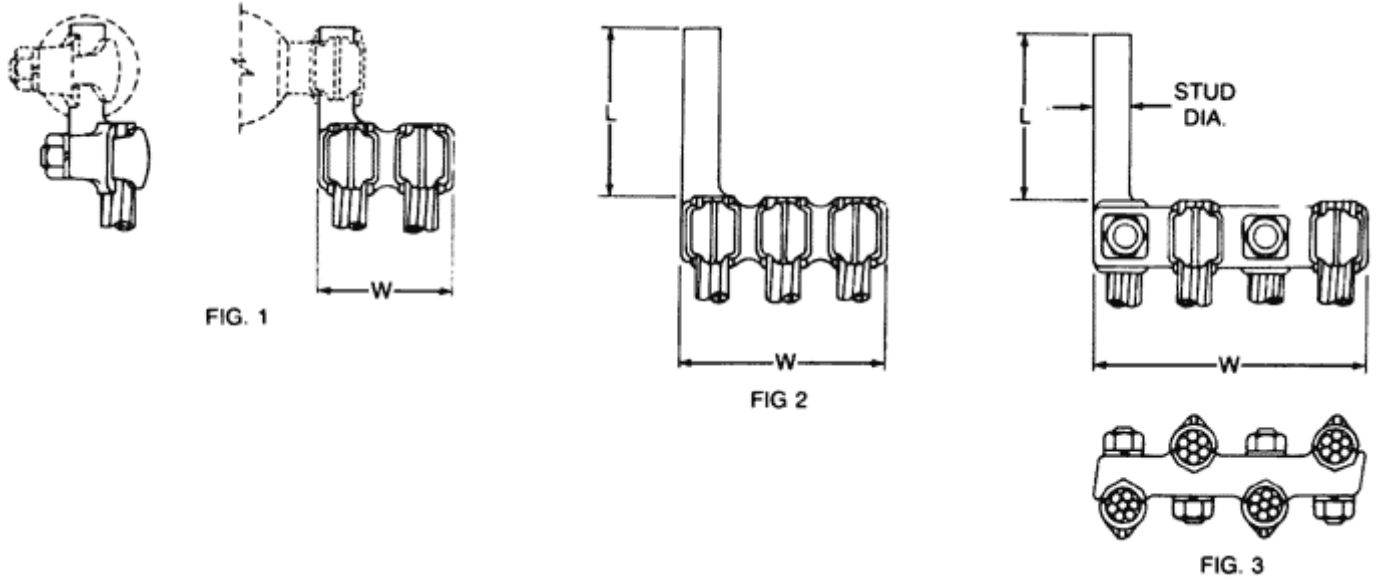


Terminal, Bronze Bolted, Adapter, Transformer Terminal to Multiple 0.321-0.813 cables

Product Specifications

<p>Family Image</p>	 <p>Terminals</p>
<p>Terminals</p>	 <p>V Series Adapter, Transformer Terminal to Multiple Cables Bronze Eyebolt Terminals</p>
<p>PDF Catalog Page</p>	<p>Click HERE to view the web page.</p>
<p>Eyebolt Cable Connections</p>	<p>3</p>
<p>Clamping Hardware Material</p>	<p>Silicon Bronze</p>
<p>Minimum Conductor</p>	<p>0.321</p>
<p>Maximum Conductor</p>	<p>0.813</p>
<p>Material Type</p>	<p>Non-Standard</p>
<p>UPC Code</p>	<p>09635933390</p>
<p>Standard Package</p>	<p>1</p>
<p>Standard Package Unit</p>	<p>Each</p>
<p>Min Order Qty</p>	<p>1</p>
<p>Weight / Ea.</p>	<p>2.842 lbs</p>

Compressed Product Number



[Catalog Home](#)



[Warranty Info](#) | [Trademarks](#) | [Terms of Use](#)

All contents Copyright © 2007 Hubbell Power Systems, Inc. All rights reserved.

NOTE: Because Hubbell has a policy of continuous product improvement, we reserve the right to change design and specifications without notice.