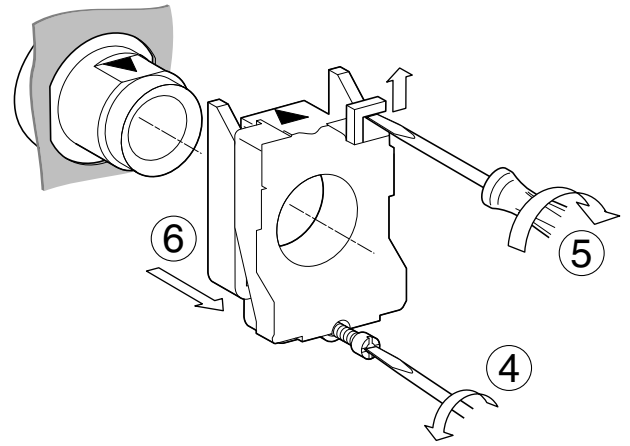
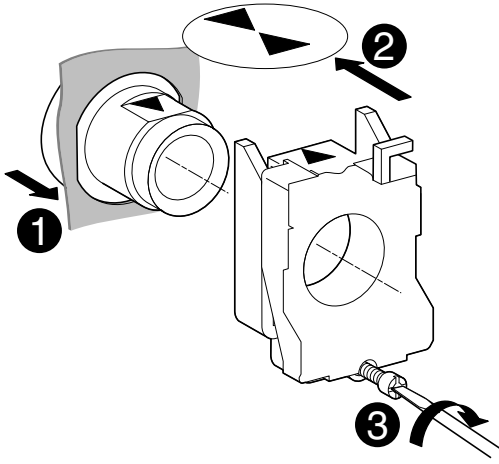
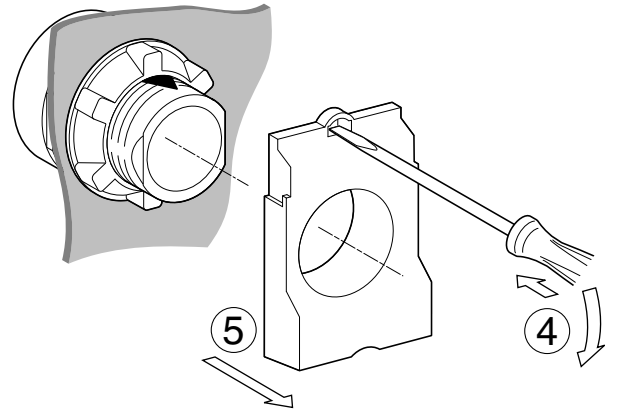
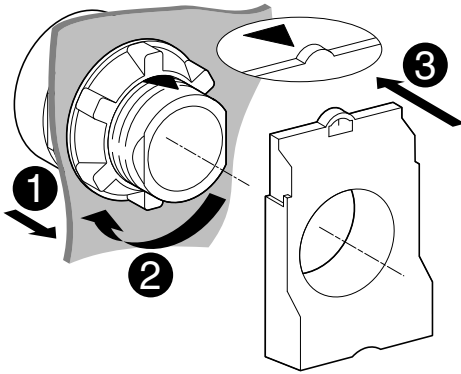


**XB4 B●● / ZB4 B●●**

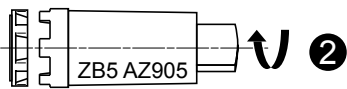


**XB5 A●● / ZB5 A●●**

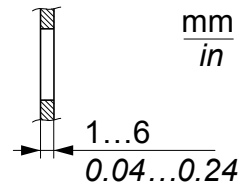
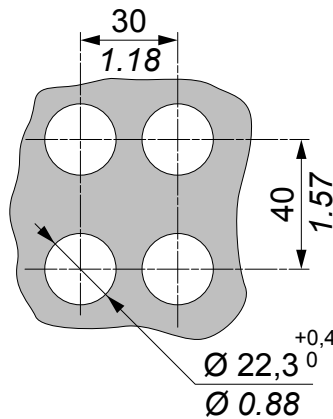
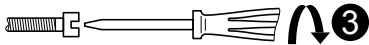


**XB● ●●● / ZB● ●●●**

2,2 Nm ±0,2 / 19.5 lb-in ±1.8



0,8 Nm/7.5 lb-in (maxi 1,2 Nm/10.6 lb-in)



For use on flat surface of a type 4,4 x, 12 and 13 enclosure



Free motion zone  
Zone libre de mouvement  
Zona libre del movimiento

