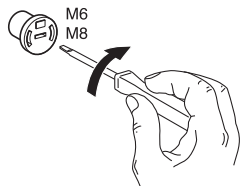
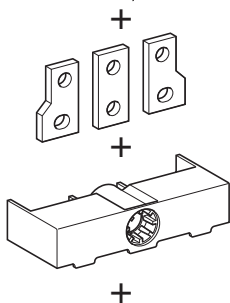
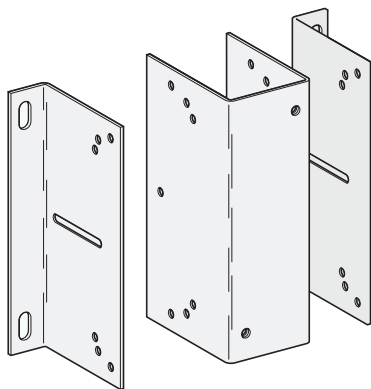


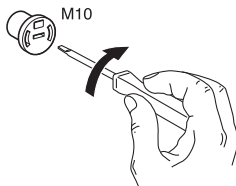
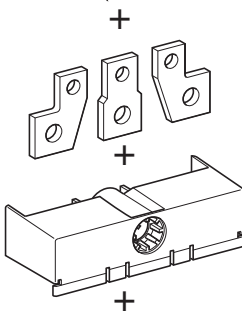
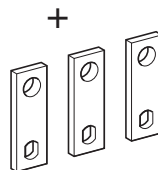
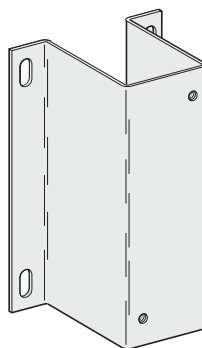
GV7 AC06 / GV7 AC07

Ø 4 x 6

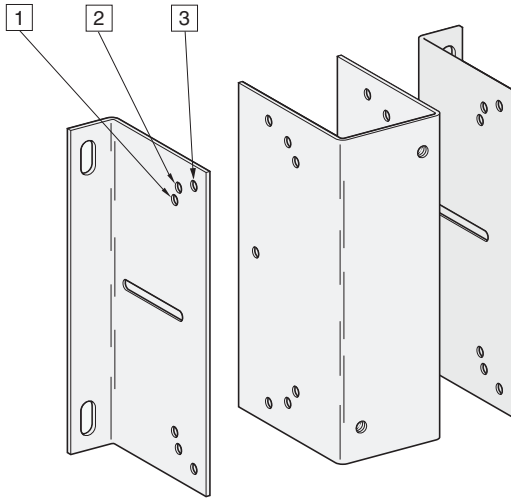



GV7 AC06

GV7 AC08

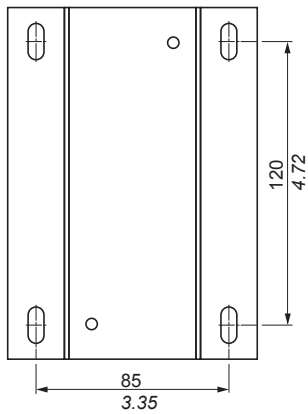


GV7 AC07

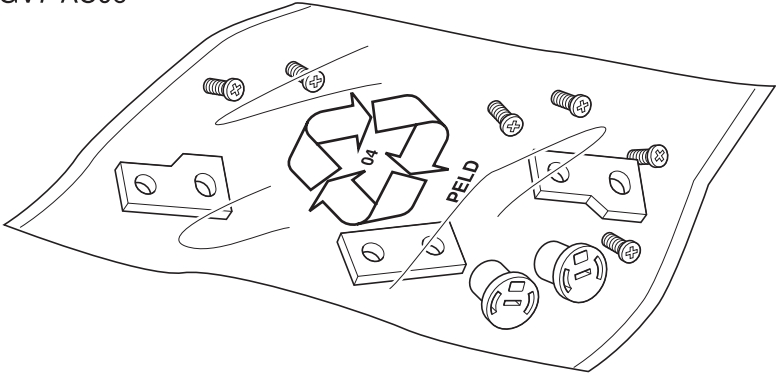


KIT	LC1	Position	
GV7 AC06	F115	1	M6
GV7 AC06	F150	1	M8
GV7 AC06	F185	2	M8
GV7-AC07	F225	2	M10
GV7 AC07	F265	3	M10

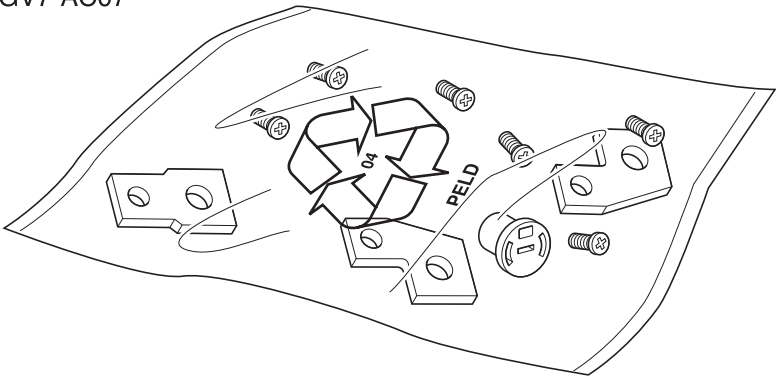
mm
in.



GV7 AC06



GV7 AC07



GV7 AC08

