

Dry-Type Transformers



Transformadores tipo seco

Transformateurs de type sec

1000 Volts and Below /

1 000 V y tensiones inferiores /

1000 V et moins

Instruction Bulletin / Boletín de instrucciones / Directives d'utilisation

43006-850-01

11/2015

Retain for future use. / Conservar para uso futuro. / À conserver pour usage ultérieur.



Dry-Type Transformers

1000 Volts and Below

Class 7400

ENGLISH

Instruction Bulletin

43006-850-01

Rev. 02, 11/2015

Retain for future use.



by Schneider Electric

Hazard Categories and Special Symbols

Read these instructions carefully and look at the equipment to become familiar with the device before trying to install, operate, service, or maintain it. The following special messages may appear throughout this bulletin or on the equipment to warn of hazards or to call attention to information that clarifies or simplifies a procedure.



The addition of either symbol to a “Danger” or “Warning” safety label indicates that an electrical hazard exists which will result in personal injury if the instructions are not followed.



This is the safety alert symbol. It is used to alert you to personal injury hazards. Obey all safety messages that follow this symbol to avoid possible injury or death.

⚠ DANGER

DANGER indicates an imminently hazardous situation which, if not avoided, **will result in** death or serious injury.

⚠ WARNING

WARNING indicates a potentially hazardous situation which, if not avoided, **can result in** death or serious injury.

⚠ CAUTION

CAUTION indicates a potentially hazardous situation which, if not avoided, **can result in** minor or moderate injury.

NOTICE

NOTICE is used to address practices not related to physical injury. The safety alert symbol is not used with this signal word.

NOTE: Provides additional information to clarify or simplify a procedure.

Please Note

Electrical equipment should be installed, operated, serviced, and maintained only by qualified personnel. No responsibility is assumed by Schneider Electric for any consequences arising out of the use of this material.

Table of Contents

SECTION 1: INTRODUCTION	6
SECTION 2: SAFETY PRECAUTIONS CODES AND STANDARDS	8
Disclaimer Statement	8
SECTION 3: RECEIVING, HANDLING AND STORING	0
Receiving	10
Handling	10
Handling with Platform Dollies or Lifts, Pallet Jacks or Fork Trucks	10
Handling with Cranes: Using Cables, Chains or Straps	11
Handling Enclosure Styles D, H and K after Removal of the Shipping Pallet	14
Storing	14
SECTION 4: INSTALLATION	16
Locating/Placing Ventilated and Non-ventilated Transformers	16
All Enclosure Styles (D, E, F, H, K and J)	19
Grounding	23
Seismic Qualifications	24
Sound/Vibration Control	24
Enclosure Style K	25
Enclosure Styles D, E, H and J	25
Making Electrical Connections	26
Pre-commissioning/Pre-energizing Checks and Testing	30
Cleaning	30
Visual and Mechanical Checks	30
Electrical Testing	31
SECTION 5: OPERATION	33
Effects of Humidity	33
Enclosure Temperature	34
Prior to Energizing the Transformers	34
Energizing the Transformer	34
SECTION 6: MAINTENANCE	37
Performing Visual and Mechanical Checks	37
Frequency	37
Severe, Environmental or Special Events	38
Cleaning	38
Connections and Contact Surfaces	38
Enclosures, Windings and Insulators	38
Performing Electrical Testing	38
Contact Resistance	39
Insulation Resistance	39
Winding Resistance	39
Grounding and Bonding	39
Turns Ratio	39
Sound Isolation Pads	40
Coil Cooling Ducts	40
Terminals	40
SECTION 7: REPLACEMENT PARTS AND ACCESSORIES	41

List of Figures

Figure 1:	Energy Efficient 2016 Transformers (EX)	6
Figure 2:	Energy Efficient 2016 Transformers (EX)	6
Figure 3:	Open Core and Coil	7
Figure 4:	Energy Efficient (EE) Ventilated Transformer	7
Figure 5:	Non-Linear (NL, NP, NLP) and Harmonic Mitigating (HM)	7
Figure 6:	Non-ventilated Transformer	7
Figure 7:	Handling with a Fork Truck: Blades/Forks Placed under the Entire Transformer (Shipping Pallet Attached)	10
Figure 8:	Two-Point Lift: Cable Pull Angles (Not Less than 60 Degrees from Horizontal)	11
Figure 9:	Two-Point Lift: Handling with Chains, Hooks and Cross Corners (Not Less than 60 Degrees from Horizontal)	12
Figure 10:	Four-Point Lift: Handling with Chains, Hooks and Four Corners (Not Less than 60 Degrees from Horizontal)	13
Figure 11:	Four-Point Lift: Handling with a Strap and Hooks (Not Less than 60 Degrees from Horizontal)	13
Figure 12:	Handling with a Pallet Jack: Enclosure Styles D, E, H and K after Removing the Shipping Pallet	14
Figure 13:	Sample Nameplate	16
Figure 14:	Minimum Distance Marked on Nameplate NEC 450.9	17
Figure 15:	Mounting: Enclosure Styles D, H, K, and E	17
Figure 16:	Enclosure D, H, K, and E	17
Figure 17:	Mounting Enclosure Style J: Ventilated	18
Figure 18:	Floor Mounting Bracket: Enclosure Style K	18
Figure 19:	Floor Mounting Bracket: Enclosure Style K	18
Figure 20:	Transformers Installed Indoors: NEC 450.21 Exceptions A or B from Sample Nameplate	19
Figure 21:	Wall mounted transformer	20
Figure 22:	Trapeze (Ceiling) mounted transformer	21
Figure 23:	Type 3R Enclosure Kits	22
Figure 24:	Four-conductor Ground Terminal Bar	23
Figure 25:	Loosening the Nut One Full Turn (Four Places) Label	24
Figure 26:	Floating the Transformer on the Isolation Pads/Sound Damper	24
Figure 27:	Enclosure Style K: Bolts Accessible from the Front of the Transformer	25
Figure 28:	Access Point: Enclosure Styles D, E, H and K	26
Figure 29:	Access Point: Enclosure Style J	27
Figure 30:	Label to Show Top Location on Enclosures (Access Points Below the Top Terminal Board)	27
Figure 31:	Phase Diagram, Tap Locations and Voltage Rating Marked on Nameplate	28
Figure 32:	Caution Label for Delta Wye or Wye Delta Connected Transformers	29
Figure 33:	Removing Temporary Braces	34
Figure 34:	Exploded Assembly for EX75T3H Energy Efficient Transformer with Enclosure Style 20K Front	41
Figure 35:	Exploded Assembly for EX300T3H Energy Efficient Transformer with Enclosure Style 25J Front	42
Figure 36:	Sample Nameplates	44

List of Tables

Table 1:	Enclosure Clearances	19
Table 2:	Converting from Floor to Wall Mounting (using factory kits)	20
Table 3:	Converting from Floor to Trapeze (Ceiling) Mounting (using factory kits)	21
Table 4:	Covers, Side Panels, Weather Shields and Mounting Brackets.....	43
Table 5:	VERSAtile™ Compression Lugs and Mechanical Set-Screw Types—UL Listed Lugs AL9CU	44
Table 6:	Square D Lug Kits for Dry-type Transformers	45
Table 7:	Terminal Sizes, Mechanical and Compression Lugs and Wire Ranges.....	46
Table 8:	Square D Ground Bar Kits.....	46

ENGLISH

ENGLISH

Section 1—Introduction

This instruction bulletin provides installation, operation and maintenance instructions for dry-type transformers 1000 volts and below for use in commercial and industrial applications.

NOTE: This bulletin should be used only by qualified personnel.

The following dry-type transformer product families are included in this instruction bulletin. Typical transformers are shown in Figures 1–6.

- Low Voltage Distribution Transformers, Three-phase and Single-phase
 - General Purpose—50 and 60 Hz
 - Energy Efficient (EE)—60 Hz
 - Energy Efficient 2016 (EX)—60 Hz
 - Non-linear Offering (NL, NP or NLP)—50 and 60 Hz
 - Harmonic Mitigating Transformers (HM)—50 and 60 Hz
 - Open Core and Coil (OC)
- Drive Isolation Transformers (DIT)
- Non-ventilated Transformers (NV)

Figure 1: Energy Efficient 2016 Transformers (EX)



Figure 2: Energy Efficient 2016 Transformers (EX)



Figure 3: Open Core and Coil

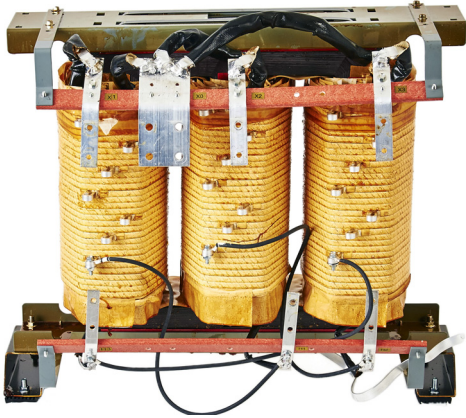


Figure 4: Energy Efficient (EE) Ventilated Transformer



Figure 5: Non-Linear (NL, NP, NLP) and Harmonic Mitigating (HM)



Figure 6: Non-ventilated Transformer



Section 2—Safety Precautions

⚠ DANGER

HAZARD OF ELECTRIC SHOCK, EXPLOSION, OR ARC FLASH

- Apply appropriate personal protective equipment (PPE) and follow safe electrical work practices. See NFPA 70E, NOM-029-STPS-2011, or CSA Z462.
- This equipment must be installed and serviced only by qualified electrical personnel.
- Perform such work only after reading and understanding all of the instructions contained in this bulletin.
- Turn off all power supplying this equipment before working on or inside equipment.
- Always use a properly rated voltage sensing device to confirm power is off.
- Before performing visual inspections, tests, or maintenance on this equipment, disconnect all sources of electric power. Assume all circuits are live until they are completely de-energized, tested, and tagged. Pay particular attention to the design of the power system. Consider all sources of power, including the possibility of backfeeding.
- Always practice lock-out/tag-out procedures according to OSHA requirements.
- Carefully inspect your work area, and remove any tools and objects left inside the equipment.
- Replace all devices, doors, and covers before turning on power to this equipment.
- All instructions in this manual are written with the assumption that the customer has taken these measures before performing maintenance or testing.

Failure to follow these instructions will result in death or serious injury.

Codes and Standards

It is the responsibility of the users of this document to use qualified electrical personnel and to comply with applicable federal, state and local electrical codes when installing electrical products and systems.

This document adheres to the codes and standards as outlined by the National Fire Protection Association® (NFPA). Refer to NFPA 70: 2014 Edition National Electrical Code (NEC®).

Disclaimer Statement

Electrical equipment should be installed, operated, serviced and maintained only by qualified personnel. No responsibility is assumed by Schneider Electric for any consequences arising out of the use of this material.

ENGLISH

Section 3—Receiving, Handling and Storing

Receiving

1. Upon receipt, remove the packaging.
 - Immediately inspect the new transformer for shipping damage.
 - Refer to Replacement Parts and Accessories on page 41 for replacement parts, accessories (e.g., touch-up paint) and spare parts for minor damage.
2. Check the packing list against the product nameplate.
 - Verify that the order and shipment align with each other and that the shipment is complete.

NOTE: Follow Schneider Electric Conditions of Sale for shortages and errors.
3. Repackage the transformers for storage if they are not to be installed immediately.
 - Cover all ventilation openings to protect against exposure to moisture, dust and contaminants.
 - Leave packing materials intact until the transformers are ready to install.
4. Refer to “Conditions of Sale” for details regarding claims for equipment shortages and other errors. Contact your local Schneider Electric distributor for additional assistance.

Handling

Handle transformers carefully to avoid damage. Avoid subjecting the transformers to impact, jolting, jarring and rough handling. Ensure that transformers are transported in the upright position. When possible, transport transformers to the installation site while still mounted on their shipping pallets.

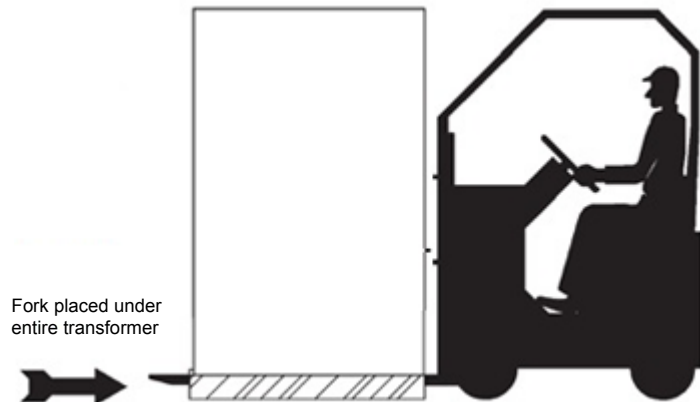
Verify that the weight of the transformer does not exceed the rated capacity of the handling equipment to be used.

Handling with Platform Dollies or Lifts, Pallet Jacks or Fork Trucks

Extreme care should be exercised when moving transformers from the bottom. See Figure 7.

- Use care to distribute the weight when transporting transformers using platform dollies, platform lifts, pallet jacks or fork trucks.
- Use hand trucks or forklifts only when the blades or forks are long enough to pass completely under the transformer enclosure or shipping pallet. Wider fork separation is preferred to distribute the weight of the unit evenly for increased stability.

Figure 7: Handling with a Fork Truck: Blades/Forks Placed under the Entire Transformer (Shipping Pallet Attached)



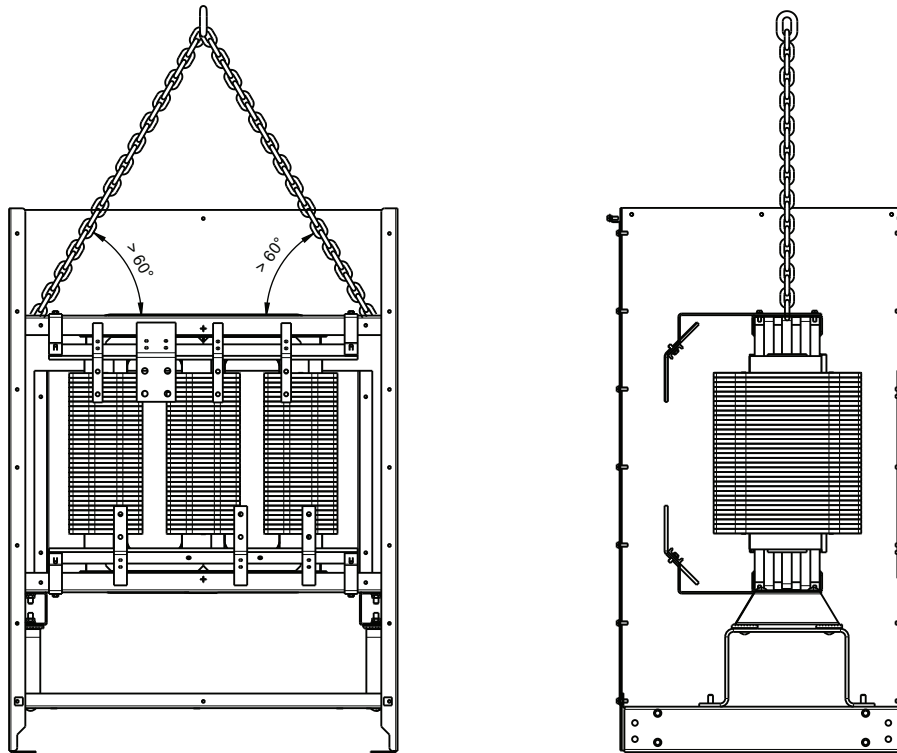
Handling with Cranes: Using Cables, Chains or Straps

When lifting the transformer from above, the use of spreader bars with cables or chains is permissible. This will help avoid damage to the enclosure or equipment.

The enclosure can be removed to allow the units to be transported through small openings, lifting as the same means as shown in Figure 8 on page 11, Figure 9 on page 12, and Figures 10 and 11 on page 13. Refer to Figures 34 and 35 in Replacement Parts and Accessories on page 41 for exploded views of parts and accessories.

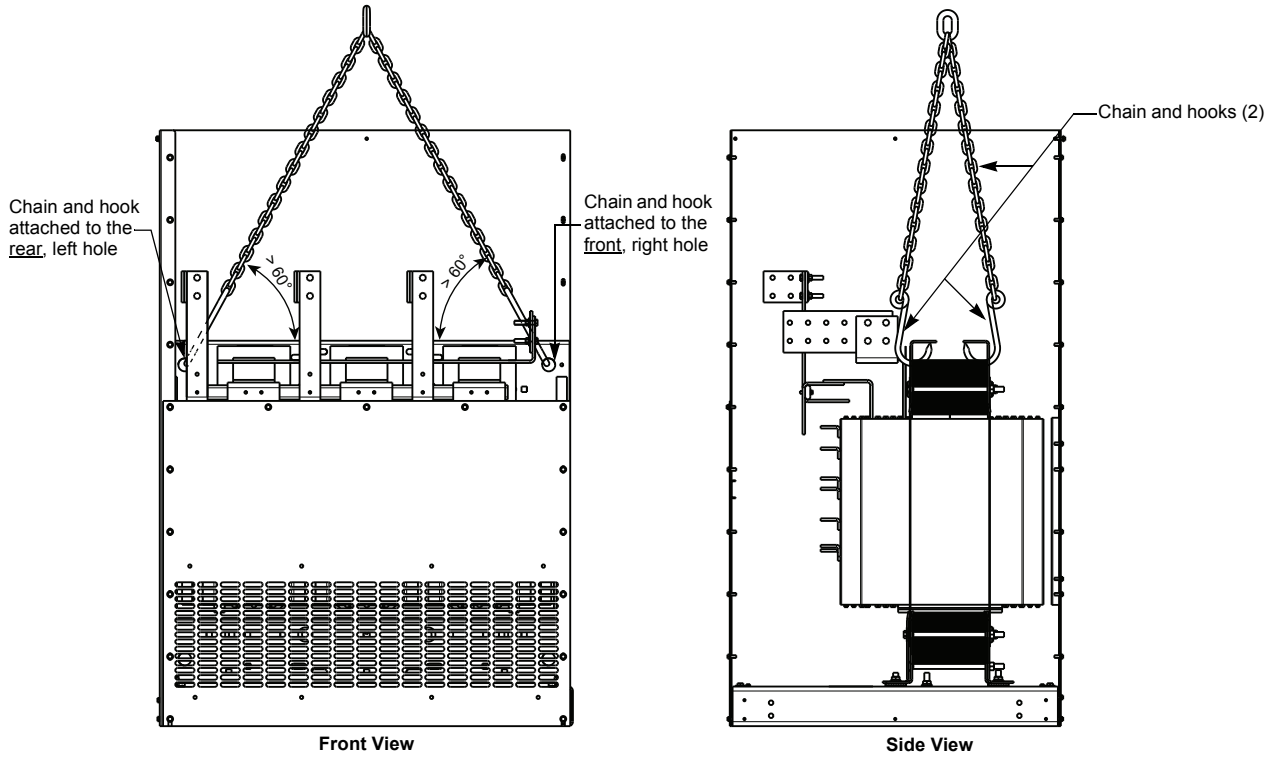
Ensure that the lifting cable pull angles are not less than 60 degrees from horizontal. See Figure 8 on page 11.

Figure 8: Two-Point Lift: Cable Pull Angles (Not Less than 60 Degrees from Horizontal)



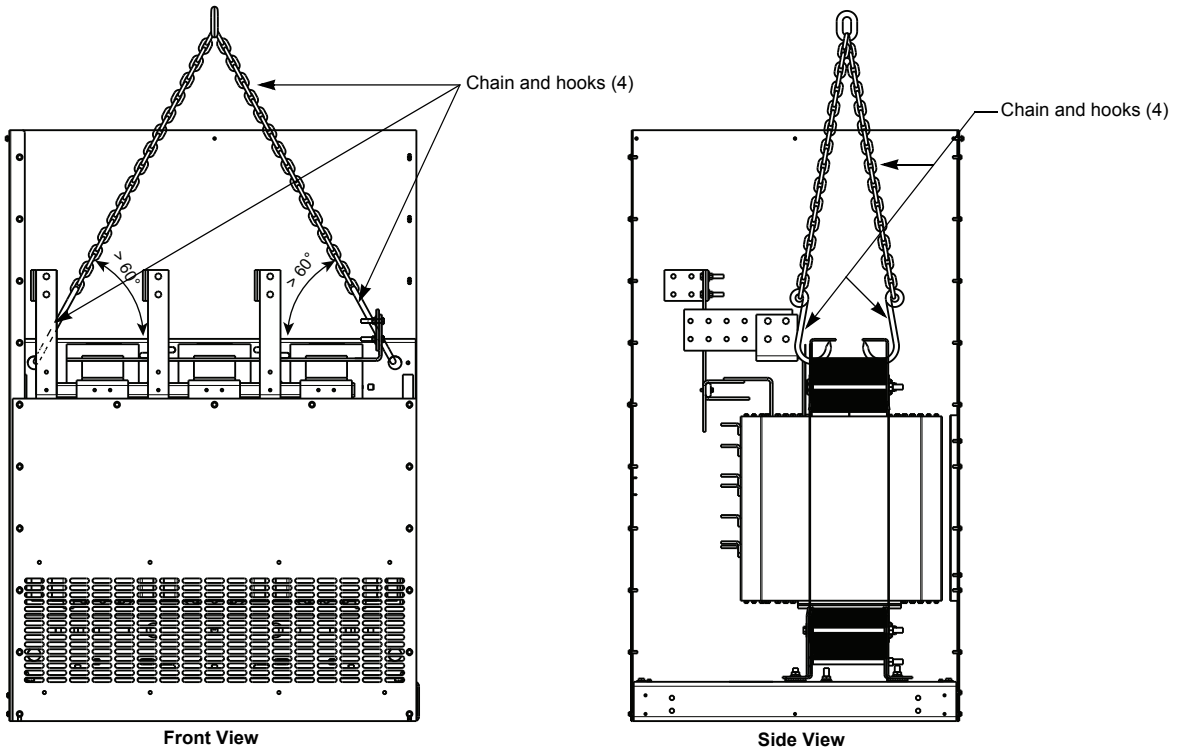
Refer to Figures 9 –11 on pages 12 – 13 for other permissible lifting and handling options.

Figure 9: Two-Point Lift: Handling with Chains, Hooks and Cross Corners (Not Less than 60 Degrees from Horizontal)



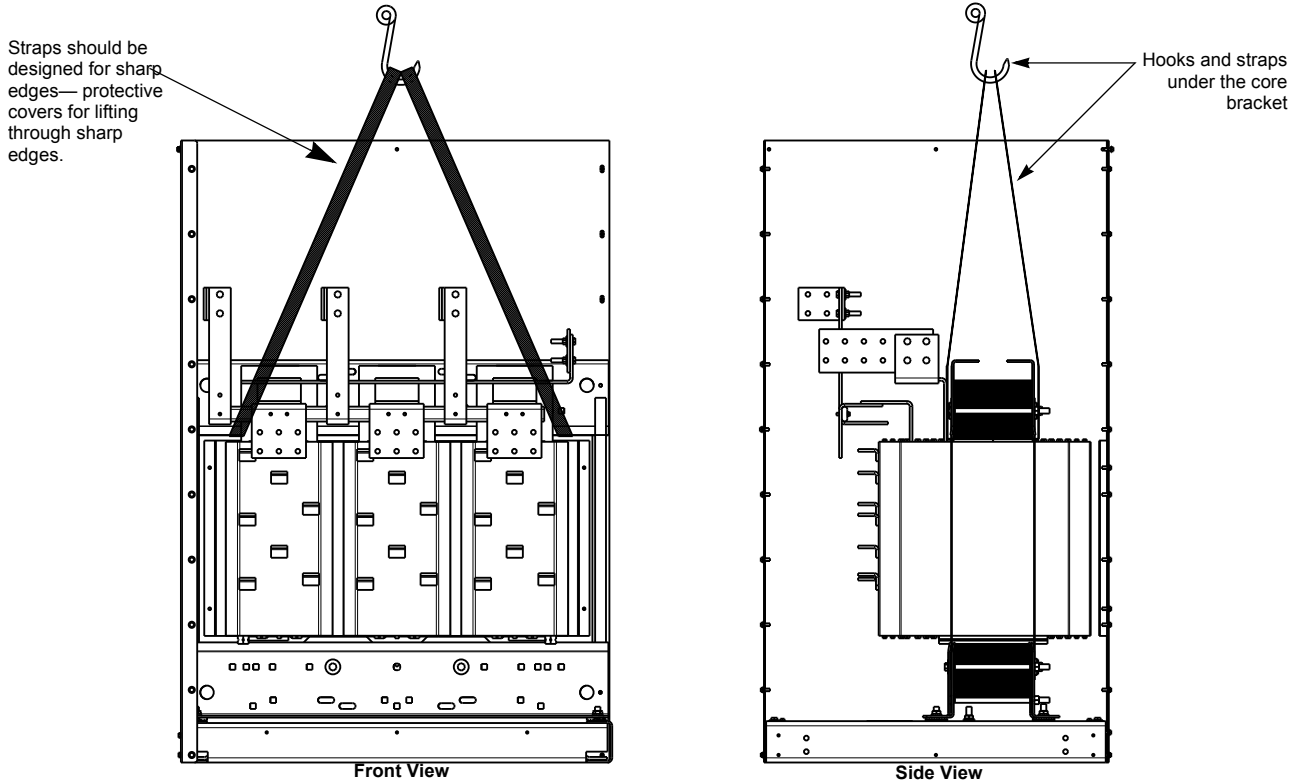
Two-point lift with chains and hooks: Top core bracket, right side and front hole. Rear bracket, left side and rear hole

Figure 10: Four-Point Lift: Handling with Chains, Hooks and Four Corners (Not Less than 60 Degrees from Horizontal)



Four-point lift: The hooks are in the front and back holes of the core bracket (4), with chains lifting on the hooks.

Figure 11: Four-Point Lift: Handling with a Strap and Hooks (Not Less than 60 Degrees from Horizontal)



Four-point lift: The straps are under the core brackets, with the front-to-back straps coming together at the top with a hook. Use straps with protective cover, core clamps edges are sharp.

Handling Enclosure Styles D, H and K after Removal of the Shipping Pallet

Hand trucks and forklifts can access and move the transformer via the front and rear openings below the bottom of the base. See Figure 12. Follow the same handling instructions (beginning on page 10) as if the pallet is still attached.

Figure 12: Handling with a Pallet Jack: Enclosure Styles D, E, H and K after Removing the Shipping Pallet



Storing

Leave the packing material that encloses the transformer in place until the unit is ready for its final placement and wiring. This will help to protect the transformer enclosure and internal parts from dirt, water, moisture contamination and physical damage during storage. Provide extra measures to protect the transformer when the original packing material cannot be retained.

Store transformers indoors in a clean, dry, and heated building with uniform temperatures and adequate air circulation. If necessary, install electric heating to maintain a uniform temperature above the ambient temperature to prevent condensation.

Protect transformers from weather and contamination when it is not possible to store the transformers indoors.

Before energizing the transformer, complete the steps in Pre-commissioning/Pre-energizing Checks and Testing along with the following steps:

1. Test the insulation resistance if storage in a controlled environment was not feasible. Refer to Insulation Resistance on page 39.
2. Dry the unit if test levels are unacceptable:
 - a. Use two heaters or lamps per coil at 120 V, 50 W to apply external heat to the coils.
 - b. Mount the heater or lamp directly below the coils located at the front and rear of the core.


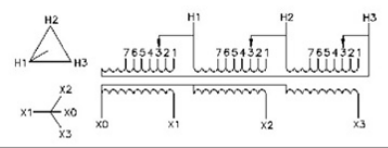

NOTE: Outdoor transformers are not weather resistant until they are properly and completely installed and energized. Treat outdoor transformers in exactly the same manner as indoor transformers until after they are installed.

Section 4—Installation

Locating/Placing Ventilated and Non-ventilated Transformers

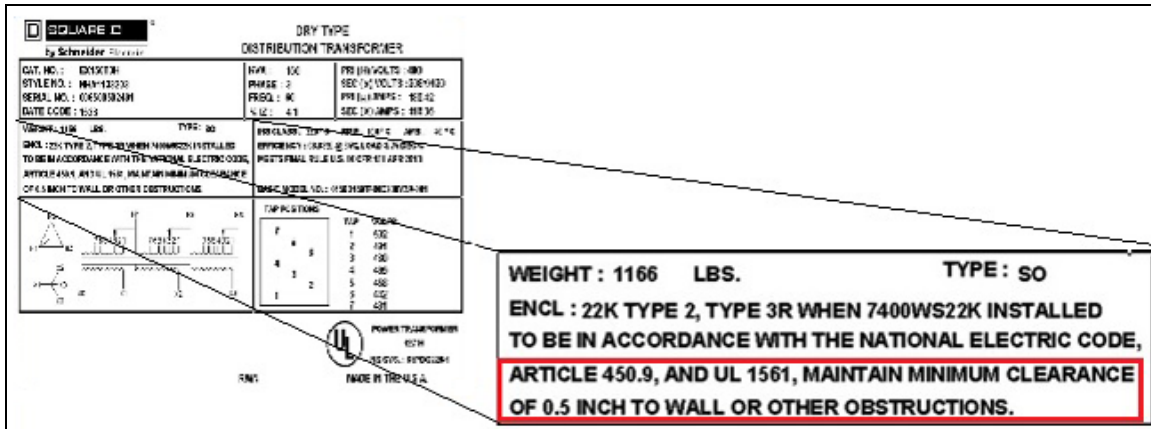
1. Remove all packaging material. Keep the shipping pallet attached to the transformer to assist with moving the unit to its final installation location.
2. Verify that the nameplate matches the description from the building layout drawings (kVA, primary and secondary voltages, etc.). See Figure 13.

Figure 13: Sample Nameplate

		DRY TYPE DISTRIBUTION TRANSFORMER																	
CAT. NO. : EX150T3H STYLE NO. : NHA1133203 SERIAL NO. : 006500502491 DATE CODE : 1523		KVA : 150 PHASE : 3 FREQ. : 60 % IZ : 4.1	PRI (H) VOLTS : 480 SEC (X) VOLTS : 208Y/120 PRI (H) AMPS : 180.42 SEC (X) AMPS : 416.36																
WEIGHT : 1166 LBS. ENCL : 22K TYPE 2, TYPE 3R WHEN 7400WS22K INSTALLED TO BE IN ACCORDANCE WITH THE NATIONAL ELECTRIC CODE, ARTICLE 450.9, AND UL 1561, MAINTAIN MINIMUM CLEARANCE OF 0.5 INCH TO WALL OR OTHER OBSTRUCTIONS.		TYPE : SO INS CLASS : 220 °C EFFICIENCY : 98.83% @ 35% LOAD & 75 DEG C MEETS FINAL RULE U.S. 10 CFR 431 APR 2013	RISE : 150 °C AMB : 40 °C BASIC MODEL NO. : 065EX150T480D208Y2A-001																
		TAP POSITIONS <table border="1"> <thead> <tr> <th>TAP</th> <th>VOLTS</th> </tr> </thead> <tbody> <tr><td>1</td><td>502</td></tr> <tr><td>2</td><td>491</td></tr> <tr><td>3</td><td>480</td></tr> <tr><td>4</td><td>469</td></tr> <tr><td>5</td><td>458</td></tr> <tr><td>6</td><td>442</td></tr> <tr><td>7</td><td>431</td></tr> </tbody> </table>		TAP	VOLTS	1	502	2	491	3	480	4	469	5	458	6	442	7	431
TAP	VOLTS																		
1	502																		
2	491																		
3	480																		
4	469																		
5	458																		
6	442																		
7	431																		
RWN		 POWER TRANSFORMER 127 H INS SYS. : 65PDG220-1 MADE IN THE U.S.A.																	

3. Locate the unit per the building's layout drawing.
4. Verify the environment is suitable for the enclosure type.
5. Ensure the location is readily accessible to qualified personnel (per NEC 450.13). Units located in the open can be mounted on walls, columns, or otherwise supported from structures.
6. Ensure adequate ventilation since it is essential to properly cool ventilated transformers. Refer to National Electrical Code (NEC®) Article 450.
 - The minimum distance is marked on Nameplate NEC 450.9. See Figure 14 on page 17.
 - Minimum distance varies by enclosure style. See the approval drawing from Schneider Electric for minimum distance.
 - Clean, dry air is desirable.
 - Filtered air may reduce maintenance if the location of the transformer presents a problem.

Figure 14: Minimum Distance Marked on Nameplate NEC 450.9



7. Mount any accessories prior to installing the transformer when using wall or ceiling (trapeze) mounting.
 - a. Observe the four mounting hole locations in each enclosure base.
 - b. Obtain the actual dimensions via approval drawings from Schneider Electric.
 - c. Secure the units using one of two mounting methods: without floor mounting brackets (Figures 15–16 and Figure 17 on page 18) or with floor mounting brackets (Figures 18 and 19 on page 18).
8. Place the transformer in final position.

Figure 15: Mounting: Enclosure Styles D, H, K, and E

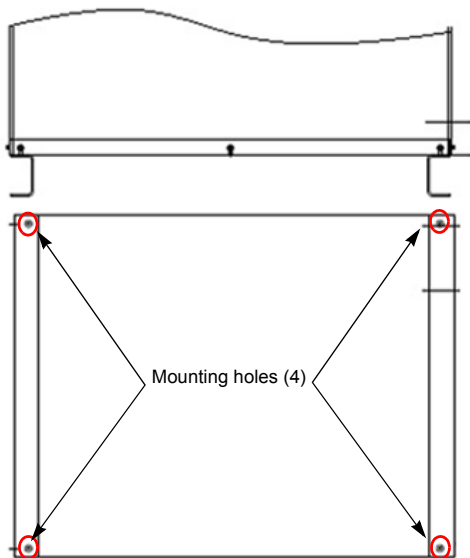


Figure 16: Enclosure D, H, K, and E

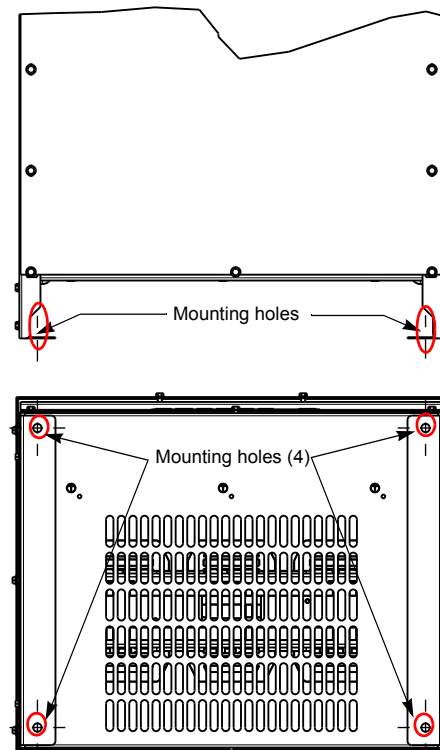
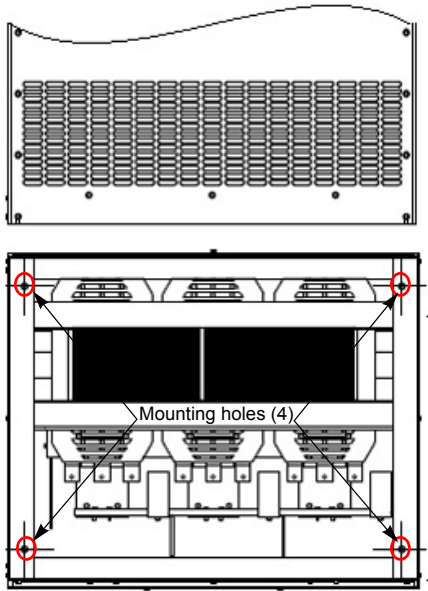


Figure 17: Mounting Enclosure Style J:
Ventilated



Units not for use on combustible floor (open bottom)

Figure 18: Floor Mounting Bracket: Enclosure Style K

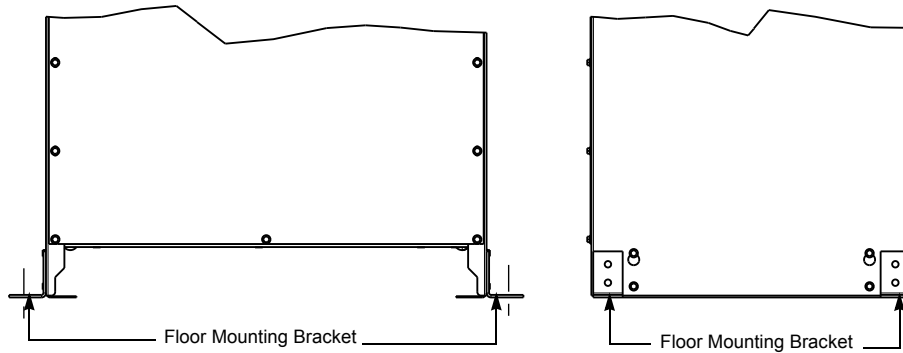
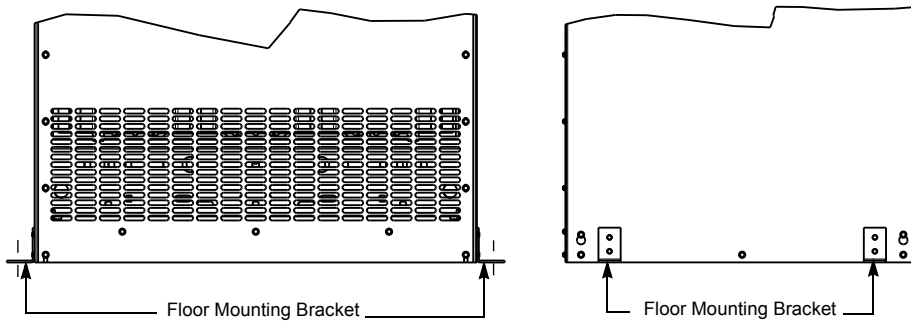


Figure 19: Floor Mounting Bracket: Enclosure Style K



All Enclosure Styles (D, E, F, H, K and J)

- Transformers Installed Indoors (Styles D, E, F, H, K and J):
 - Completely enclosed or completely enclosed with ventilated openings; complies with NEC 450.21 (A) Exception
 - Units greater than 112.5 kVA
 - Have 428°F (220°C) or 392°F (200°C) insulation systems; complies with 450.21 (B) Exception No. 2

See Figure 20.

Figure 20: Transformers Installed Indoors: NEC 450.21 Exceptions A or B from Sample Nameplate

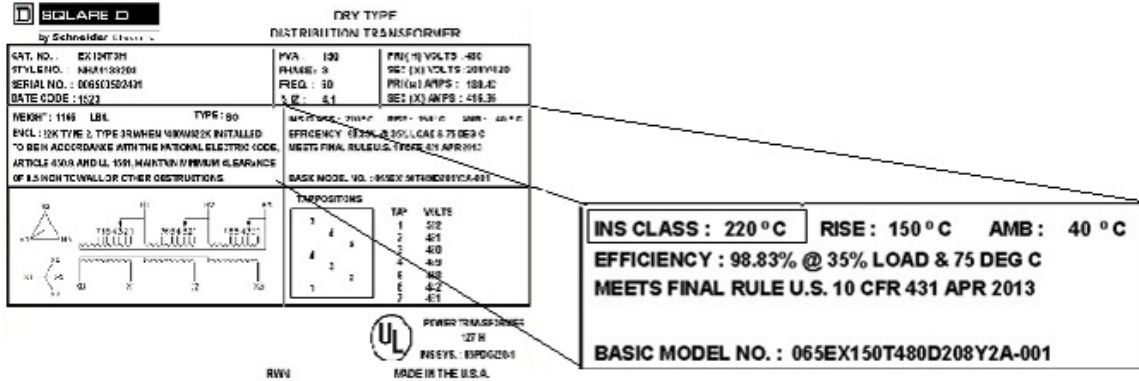


Table 1: Enclosure Clearances

Enclosure Style	Front Clearance	Side Clearance (in. / mm)	Rear Clearance (in. / mm)
D	Working Clearance for all styles vary substantially depending on voltage and specific application. Refer to NEC 110.26	0.50 / 12.7	Type EE – 3 / 76.2 All other styles – 6 / 152
H			3 / 76.2
E			3 / 76.2
K			0.50 / 12.7
J			0.50 / 12.7
F			12 / 305

Transformers can be converted from Floor to Wall mounted (See Table 2 below and Figure 21 on page 20) or Floor to Trapeze mounted (See Table 3 and Figure 22 on page 21) using factory available kits. The kits are pre-punched to align with enclosure mounting holes; and, when the transformer is installed, holds the minimum clearance for the units. New Style K wall mounting bracket allows for 6 in. (152 mm) and 3 in. (76 mm) clearances, all other styles require a 6 in. (152 mm) clearance.

The factory kits do not include hardware, hardware must be supplied by the customer. Hardware includes the thread rod for trapeze mounting the transformers. The designer of record must size and choose the anchors and hardware because of the large variety of construction materials and techniques. Schneider Electric can not advise on the anchoring, the wall mounting, or sizing of rods for trapeze mounting.

Table 2: Converting from Floor to Wall Mounting (using factory kits)

Enclosure Style	Enclosure Number	Maximum Weight (lb. / kg)
D	17 – 20	700 / 317
H	17 – 18	700 / 317
E	17 – 20	700 / 317
K	17 – 20	850 / 386

Figure 21: Wall mounted transformer

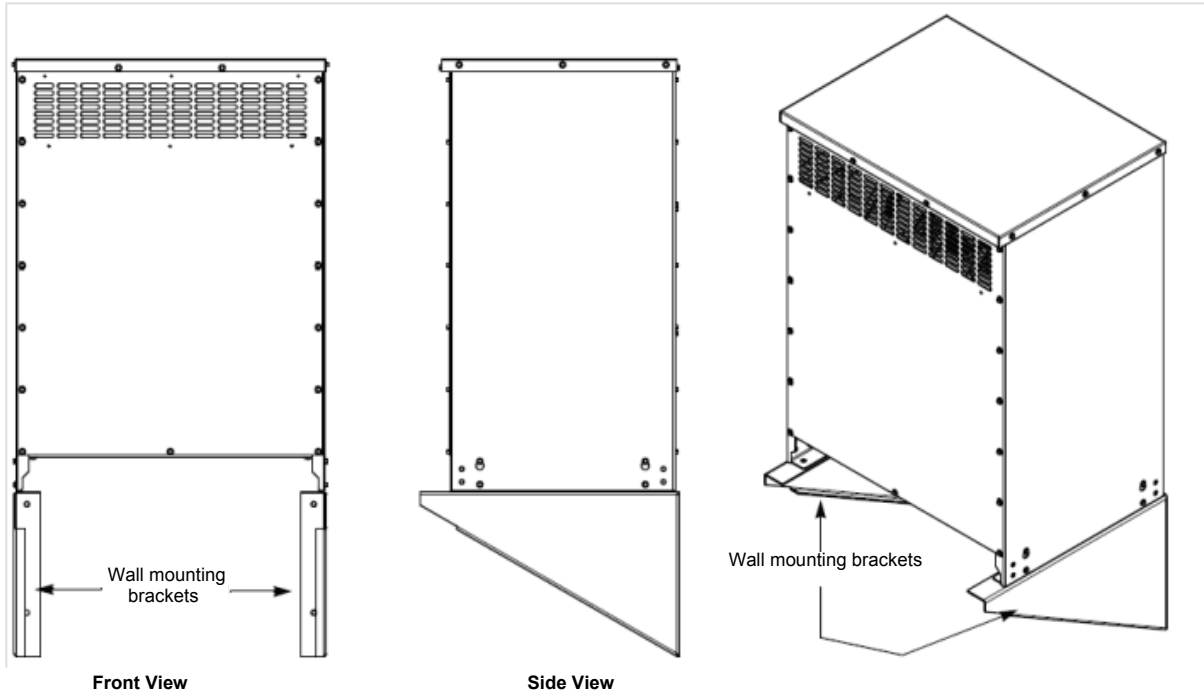
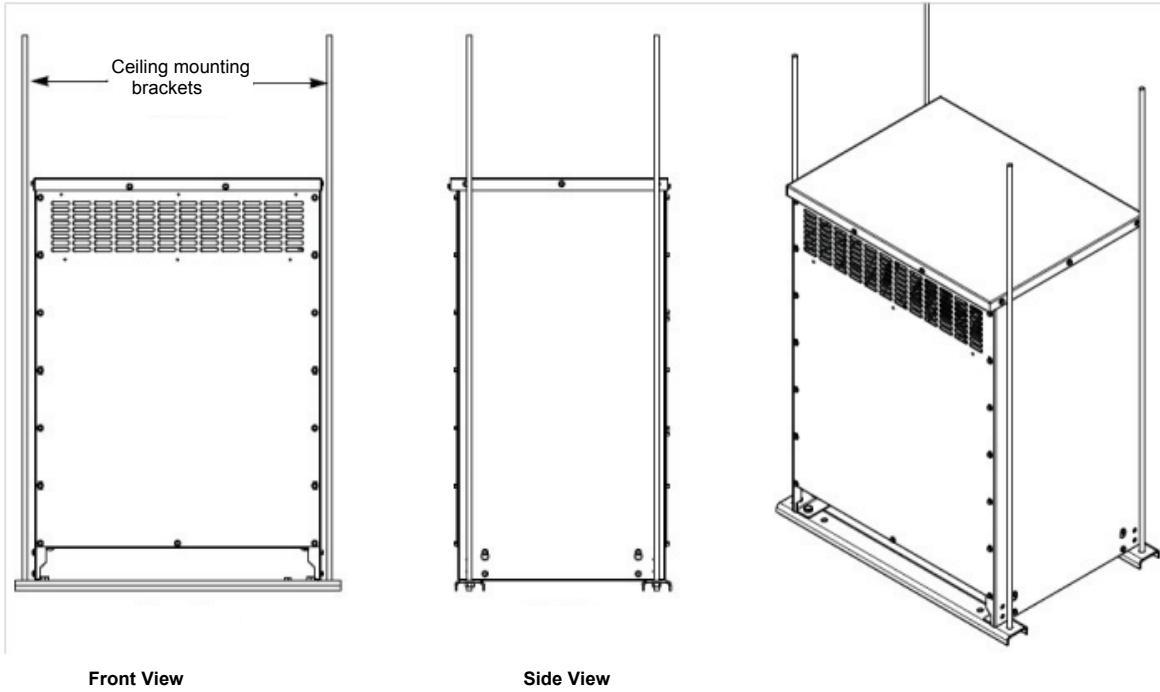


Table 3: Converting from Floor to Trapeze (Ceiling) Mounting (using factory kits)

Enclosure Style	Enclosure Number	Maximum Weight (lb. / kg)
D	17 – 24	1200 / 544
H	17 – 18	1200 / 544
E	17 – 22	1200 / 544
K	17 – 22	1200 / 544

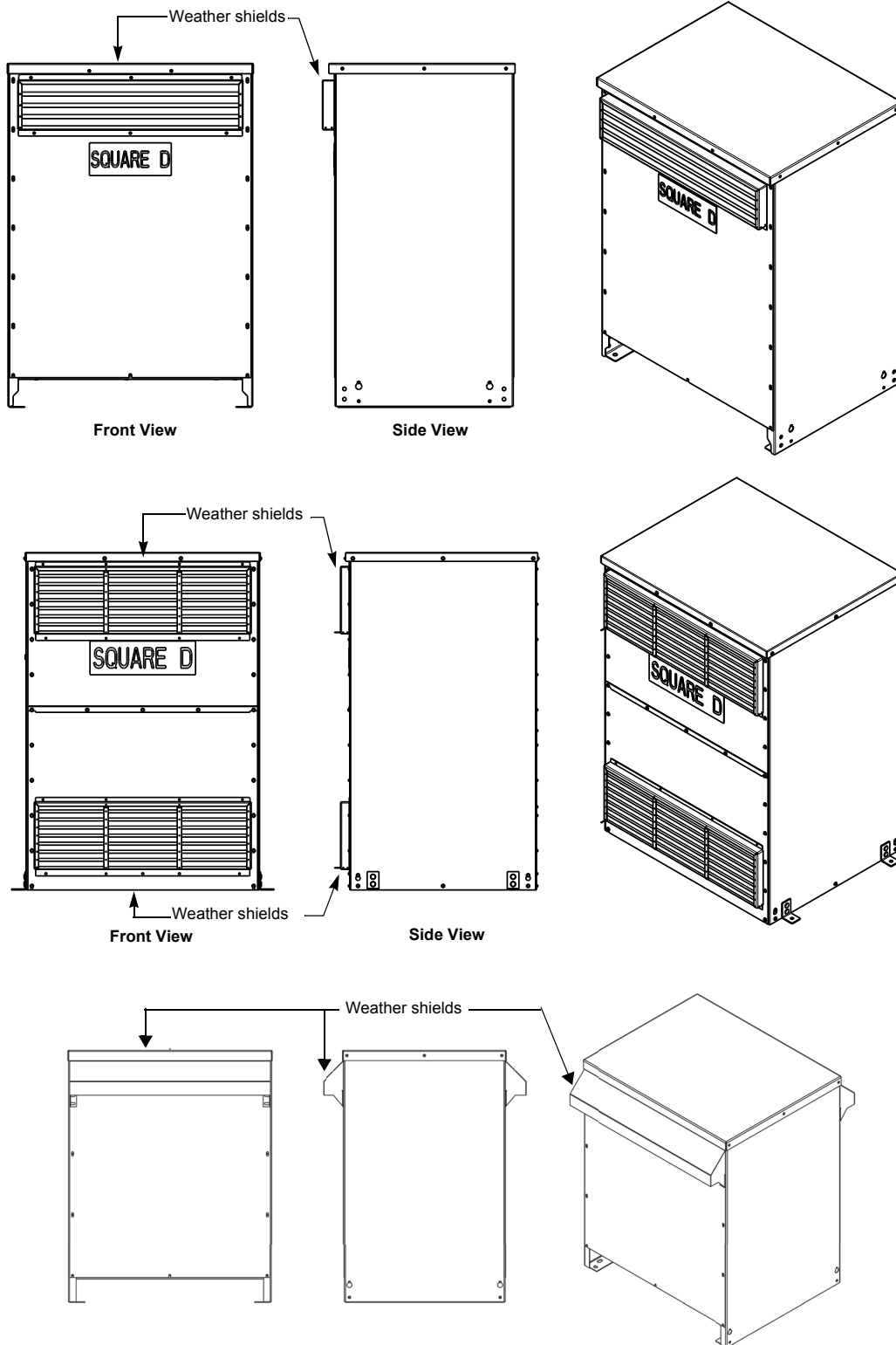
Figure 22: Trapeze (Ceiling) mounted transformer



Enclosure D, E, H, K, J can be converted to Type 3R using field installed kits. See Figure 23 on page 22.

Type F enclosure – must be factory order if installed outdoors.

Figure 23: Type 3R Enclosure Kits



Grounding

1. Permanently and adequately ground the enclosure and core assembly of dry-type transformers in accordance with NEC requirements.
 - Windings may be grounded with consideration given to local conditions and in accordance with the NEC.
 - The ground terminal bar must be UL listed for this purpose.
 - In accordance with NEC 450.10, the terminal bar shall be bonded to the enclosure in accordance with NEC 250.12 and shall not be installed on or over any ventilated openings.
2. Connect the transformer, related accessories and components to ground in accordance with NFPA 70 (NEC).
3. Terminate all grounding and bonding conductors at a common equipment ground point on the enclosure.
4. Remove paint from around the area where the ground terminal bar is mounted to increase contact with enclosure parts.
 - Enclosure Styles D, E and H: An area is available in the transformer's base to drill and mount the ground terminal bar.
 - Enclosure Style K: Three pre-drilled holes are stamped ground to mount the ground terminal bar.
 - Enclosure Style J: Two pre-drilled holes are stamped ground to mount the ground terminal bar.

Square D brand secondary lug kits include a four-conductor ground terminal bar. The bar can also be obtained as a separate device from Schneider Electric. Refer to Table 6 on page 45 and see Figure 24.

Figure 24: Four-conductor Ground Terminal Bar



Seismic Qualifications

Seismic limits for dry-type low voltage transformers are obtained from tri-axle shake table test results that are conducted in accordance with the AC156 test protocol. Certifications are based on the location where units are installed and building codes governing the installation.

Building codes results are available for CBC 2001, CBC 2007, CBC 2010, IBC 2000, IBC 2003, IBC 2006, IBC 2009, NBC 2005, NBCC 2005, NBCC 2010, NFPA 5000, UBC 94, CBC 95, UBC97 and UFC 3-310-04.

Contact your local Schneider Electric distributor, or call 1-888-Square D (1-888-778-2733) to obtain the specific level of Sds, z/h and Ip for each enclosure style.

The levels supplied are based on the units being mounted and the notes on the approval drawings of each part number. Drawings are available that include mounting dimensions, mounting hole dimensions, overall dimensions, unit weight and approximate center of gravity location to assist in a seismic qualification. Contact your local Schneider Electric distributor, or call 1-888-Square D (1-888-778-2733) to obtain these drawings.

Other parties are responsible for detailing the equipment connection and anchorage requirements (including the lateral restraint system, if appropriate) for the given transformer installation. The installer and manufacturers of the anchorage and lateral restraint system are responsible for ensuring that the mounting requirements are met.

Sound/Vibration Control

The transformer has been designed to minimize the amount of audible sound produced. Sound isolation pads are secured between the transformer mounting bracket and the enclosure using bolts and nuts. The mounting hardware is tightened prior to shipment to prevent damage.

Loosen the nut one full turn to float the transformer on the isolation pads, thereby isolating the transformer from the enclosure. This will reduce audible sound levels even further. See Figures 25 and 26.

Figure 25: Loosening the Nut One Full Turn (Four Places) Label

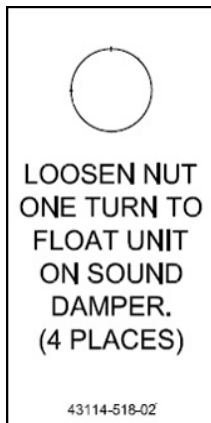
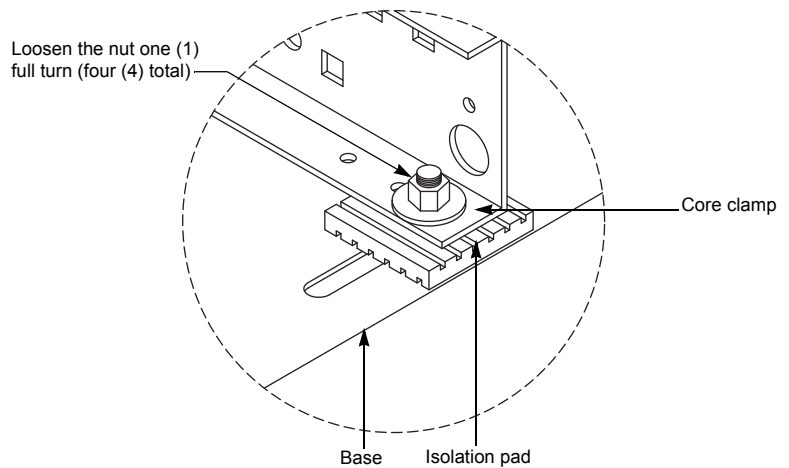


Figure 26: Floating the Transformer on the Isolation Pads/Sound Damper



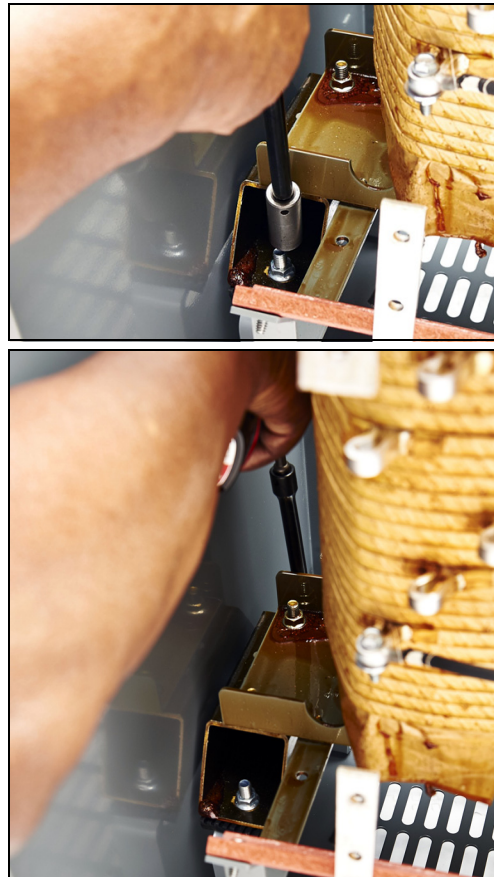
In addition, the area where the transformer is located can affect the sound level:

- ❑ Try to avoid installing the transformer in a corner, narrow hall or in an area with smooth surfaces. Doing so can result in the sound being reflected and amplified.
- ❑ Securely fasten all the enclosure panels. Loose panels can result in rattling, thereby increasing the sound produced.
- ❑ Use flexible conduit, if possible.
- ❑ Ensure that the type of structure on which the transformer is mounted is strong enough to support the weight of the transformer.

Enclosure Style K

Enclosure Style K bolts are accessible from the front with an extension. See Figure 27.

Figure 27: Enclosure Style K: Bolts Accessible from the Front of the Transformer



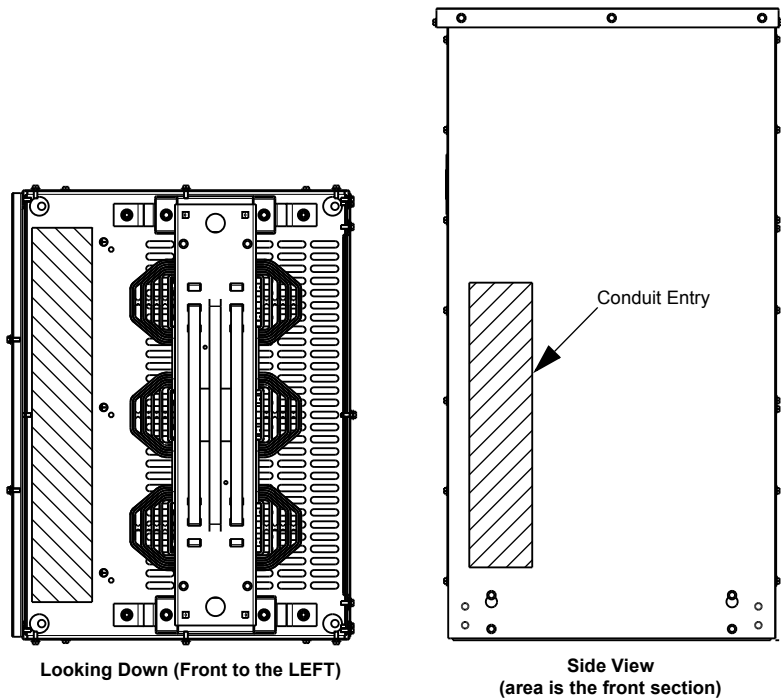
Enclosure Styles D, E, H and J

Enclosure Styles D, E, H and J bolts are accessible from the front. See Figure 26 on page 24 for the access for these enclosures.

Making Electrical Connections

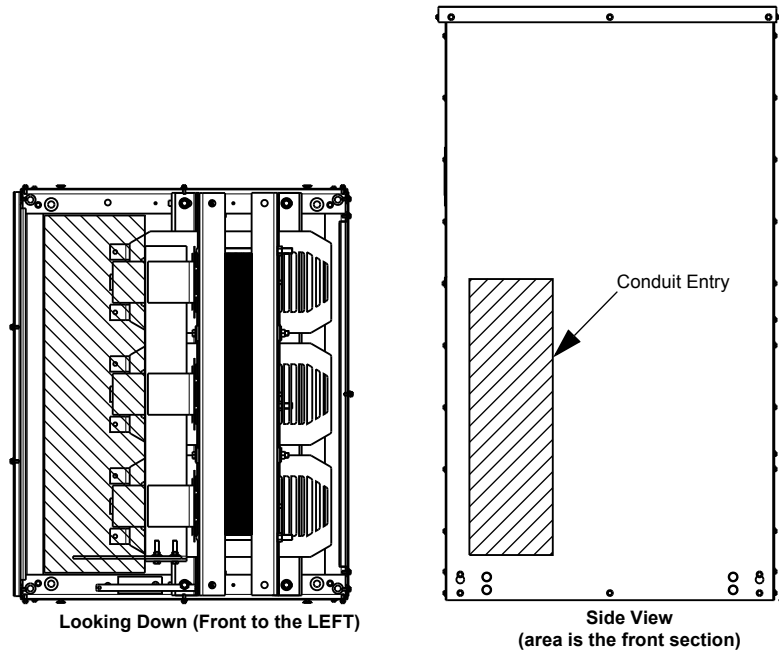
- ❑ Use flexible raceways, conduits and connectors, when possible, as attachments to transformer enclosures. This will help to reduce audible noise generation.
- ❑ Adhere to NFPA 70 (NEC) and minimum wire bending space requirements for the transformer enclosure. As an industry standard, bundle associated phase, neutral and equipment grounding conductors together within the transformer enclosure.
- ❑ Always use a calibrated torque wrench to tighten electrical connectors and terminals. For additional guidance, refer to Standard UL468A.
- ❑ Ensure that raceways, conduits and connectors enter the enclosure only in an area shown on the drawings. Access points for each enclosure style are listed below:
 - Enclosure Style D: (See Figure 28)
 - Front section of the transformer
 - Side and bottom access
 - Enclosure Style E: (See Figure 28)
 - Front section of the transformer
 - Side and bottom access
 - Enclosure Style H: (See Figure 28)
 - Front section of the transformer
 - Side and bottom access
 - Enclosure Style K: (See Figure 28)
 - Front section of the transformer
 - Side and bottom access

Figure 28: Access Point: Enclosure Styles D, E, H and K



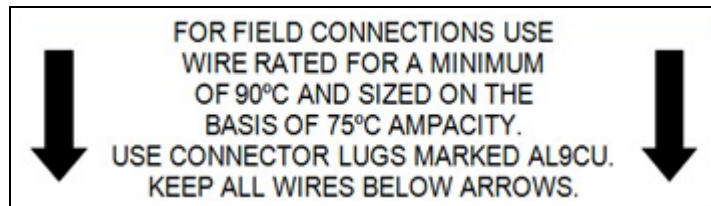
- Enclosure Style F:
 - Bottom section of the transformer
 - Air connection chambers offered if side access is needed
- Enclosure Style J: (See Figure 29)
 - Front section of the transformer
 - Side access
 - Open bottom access front to the core clamps

Figure 29: Access Point: Enclosure Style J



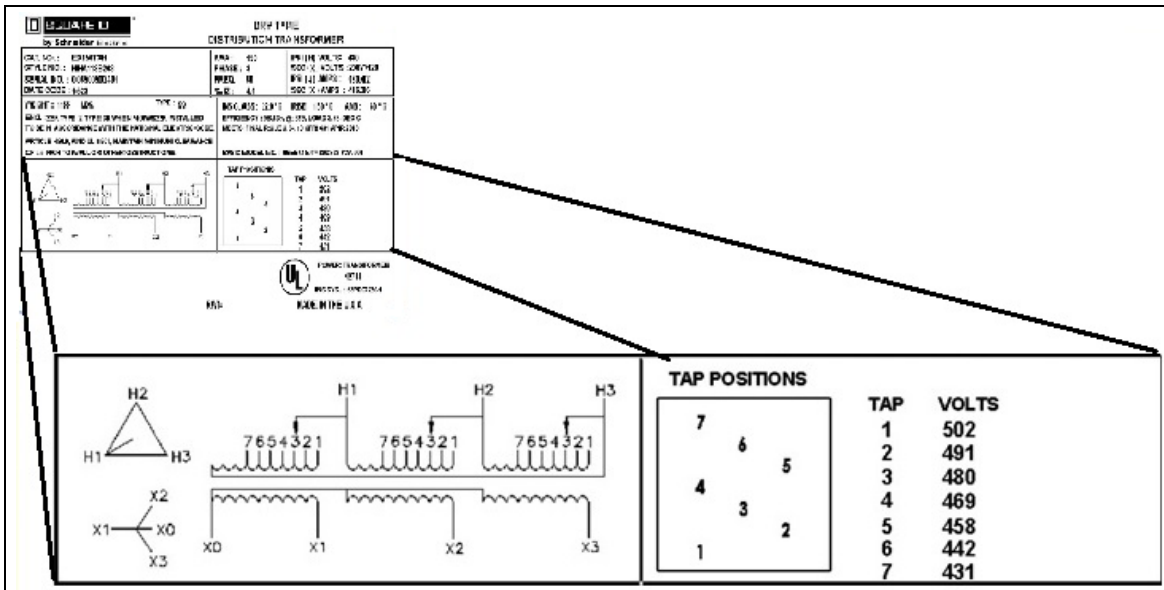
- Keep all access points below the top terminal board to prevent heat from exiting through the raceways, conduits and connectors. The sticker will show this top location on all enclosure styles (also shown on drawings). See Figure 30.

Figure 30: Label to Show Top Location on Enclosures (Access Points Below the Top Terminal Board)



- ❑ Ensure that the side access complies with NEC 312.6 (A): Minimum Wire-Bending at Terminals. Bottom access must comply with NEC 312.6 (B): Minimum Wire-Bending Space at Terminals.
- ❑ Follow UL 1561 which requires that all lugs be suitable for 194°F (90°C). In addition, the conductors' temperature rating table must be 167°F (75°C) for the size to meet the current requirements of the overcurrent protection device and nameplate currents. Refer to Table 5 on page 44, Table 6 on page 45 and Table 7 on page 46 for a list of Square D lug kits, wire ranges by kVA and US voltage systems.
- ❑ Make sure that the contact surface is clean. This will minimize the possibility of a high resistance contact which could cause localized heating and possible premature failure. Refer to Connections and Contact Surfaces on page 38 for instructions to apply an approved electrical compound.
- ❑ Connect phases to proper terminals for proper motor-rotation. The phase diagram is shown on nameplate. The nameplate also shows the taps locations and voltage rating for each tap. See Figure 31.

Figure 31: Phase Diagram, Tap Locations and Voltage Rating Marked on Nameplate

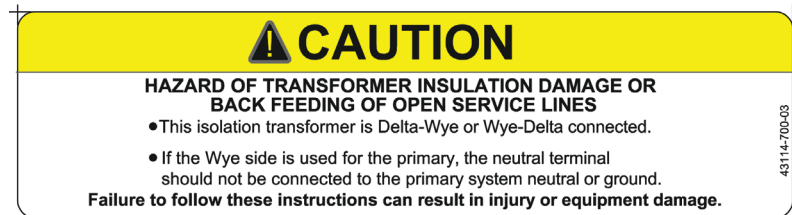


- ❑ Connecting the source of supply to the transformer secondary is permitted by NE C450.11 where the installation conforms to the manufacturer's instructions.

When the source of supply is connected to the transformer secondary, the inrush current will increase. The overcurrent device should be selected based on NEC 450.3(B) using the 250% allowance in order to reduce the potential for nuisance tripping during energization. Secondary overcurrent protection will be required.

For source of supply side connections to a WYE configured transformer winding, do not make any connections to the supply side HO or XO terminals. See Figure 32.

Figure 32: Caution Label for Delta Wye or Wye Delta Connected Transformers



Pre-commissioning/Pre-energizing Checks and Testing

Cleaning

1. Ensure that all of the packing material, including any packing material used inside the enclosure of the transformer used to support and protect the unit during shipping, have been removed.
2. Vacuum away as much dust as possible. Dust will act as a thermal insulating material which will increase the temperature of the unit and could possibly decrease operational life. Refer to Cleaning on page 38.

Visual and Mechanical Checks

Perform the following visual and mechanical checks below. In addition, refer to Performing Visual and Mechanical Checks on page 37 for a detailed listing of instructions.

- Visually inspect the transformer for physical damage. Repair any physical damage, if possible, and provide suitable protective barriers to prevent future damage.
- Compare the transformer nameplate information with the drawings and/or specifications for the installation.
- Verify proper connection of the taps in accordance with the nameplate information.
- Check the clearance of all electrical connections. Verify all connections for tightness with a calibrated torque wrench.
- Visually check the core, frame, enclosure, conduits, raceways and conductors for proper ground bonding. In addition, refer to Grounding and Bonding on page 39.

Electrical Testing

⚠ DANGER

HAZARD OF ELECTRIC SHOCK, EXPLOSION, OR ARC FLASH

- Apply appropriate personal protective equipment (PPE) and follow safe electrical work practices. See NFPA 70E, NOM-029-STPS-2011, or CSA Z462.
- This equipment must be installed and serviced only by qualified electrical personnel.
- Perform such work only after reading and understanding all of the instructions contained in this bulletin.
- Turn off all power supplying this equipment before working on or inside equipment.
- Always use a properly rated voltage sensing device to confirm power is off.
- Always practice lock-out/tag-out procedures according to OSHA requirements.
- Carefully inspect your work area, and remove any tools and objects left inside the equipment.
- Replace all devices, doors, and covers before turning on power to this equipment.
- All instructions in this manual are written with the assumption that the customer has taken these measures before performing maintenance or testing.

Failure to follow these instructions will result in death or serious injury.

Refer to Maintenance on page 37 to perform the following pre-commissioning electrical testing:

- ❑ Measure contact resistance using a low resistance ohmmeter. Refer to Contact Resistance on page 39.
- ❑ Perform insulation resistance tests with an appropriate device. Refer to Insulation Resistance on page 39.
- ❑ Perform a turns ratio test on all taps and on the full winding voltages for each phase. Refer to Turns Ratio on page 39.
- ❑ Measure and record the winding resistances on larger transformers (>500 kVA). Refer to Winding Resistance on page 39.

Section 5—Operation

⚠ DANGER

HAZARD OF ELECTRIC SHOCK, EXPLOSION, OR ARC FLASH

- Apply appropriate personal protective equipment (PPE) and follow safe electrical work practices. See NFPA 70E, NOM-029-STPS-2011, or CSA Z462.
- This equipment must be installed and serviced only by qualified electrical personnel.
- Perform such work only after reading and understanding all of the instructions contained in this bulletin.
- Turn off all power supplying this equipment before working on or inside equipment.
- Always use a properly rated voltage sensing device to confirm power is off.
- Before performing visual inspections, tests, or maintenance on this equipment, disconnect all sources of electric power. Assume all circuits are live until they are completely de-energized, tested, and tagged. Pay particular attention to the design of the power system. Consider all sources of power, including the possibility of backfeeding.
- Always practice lock-out/tag-out procedures according to OSHA requirements.
- Carefully inspect your work area, and remove any tools and objects left inside the equipment.
- Replace all devices, doors, and covers before turning on power to this equipment.
- All instructions in this manual are written with the assumption that the customer has taken these measures before performing maintenance or testing.

Failure to follow these instructions will result in death or serious injury.

Effects of Humidity

The standard dip and baked varnish process does not support the growth of fungus. The only concern when units are stored in high humidity areas is retaining the integrity of the insulation material. If units are properly maintained and cleaned at shut down prior to long periods of de-energization there should be no issue with fungus.

Humidity conditions are unimportant as long as the transformer is energized. However, follow the precautionary steps listed below if the transformer is de-energized, is allowed to cool to ambient temperature, and will exceed a shutdown of 12 hours (especially in high humidity conditions).

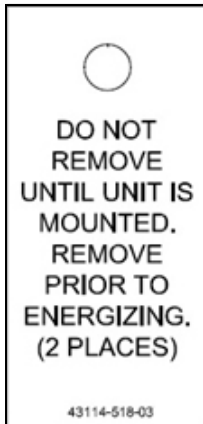
1. Place small strip heaters in the bottom of the unit shortly after shutdown to maintain the temperature of the unit a few degrees above that of the outside air.
2. Inspect the unit for evidence of moisture before returning it to service.
3. Check the insulation resistance. If evidence of moisture exists, or if the insulation resistance is less than 1 megohm, dry out the transformer by placing it in an oven or by blowing heated air over it.

Enclosure Temperature

The temperature rise on the enclosure exterior for ventilated transformers should not exceed 122°F (50°C), except as indicated in UL 1561.

Prior to Energizing the Transformers

Figure 33: Removing Temporary Braces



1. Remove any temporary braces. See Figure 33.
2. Check bolted electrical connections. Refer to Making Electrical Connections on page 26 for a detailed check list.
3. Remove excess dirt accumulations from the transformer windings and insulators to permit free circulation of air and to guard against the possibility of insulation breakdowns. Refer to Cleaning on page 38 for a detailed check list.
4. Perform insulation resistance tests with an appropriate device. Refer to Insulation Resistance on page 39 for a detailed instructions.
5. Perform a visual and mechanical check of the transformer and its surrounding environment. Refer to Performing Visual and Mechanical Checks on page 37 for a detailed check list.

Energizing the Transformer

1. Follow all safety precautions and requirements for PPE as outlined in NFPA 70E and any other applicable standards and/or codes.
 - a. Immediately de-energize the transformer if there is any indication of arcing (visual or audible) at any time during the initial start-up.
 - b. Investigate and correct the cause of the arcing before re-energizing the unit.
2. Investigate and correct sources of excessive noise. When energized, the transformer will make some audible noise. Excessive mechanical noise, hums or rattles may be an indication of improperly installed or tightened hardware or enclosure parts.
3. Measure and verify the primary and secondary phase-to-phase and phase-to-ground voltages for all windings.
 - a. Where applicable, measure and verify phase-to-neutral voltages, as well.
 - b. Record and save the values for future reference.

NOTE: Phase-to-phase, phase-to-ground and phase-to-neutral measurements will verify that the transformer is functioning per the nameplate voltages.

- c. Measure phase-to-ground voltages.
- d. Record and save the values for future reference.

NOTE: Phase-to-ground voltages will verify that the unit has been installed correctly.

4. Move one tap at a time, or verify that the jumper lands per the wiring diagram as shown on the nameplate. See Figure 31 on page 28.
NOTE: Do not change taps while the transformer is energized.
 - a. Adjust the transformer taps as necessary to match the actual voltage requirements.
 - b. Ensure taps are cleaned of varnish or other insulating material.
5. Perform a phase rotation check with an appropriate device for loads that are phase sensitive (e.g., certain motor or drive applications).
 - a. Follow the manufacturer's instructions for the device.
 - b. Correct phase rotation errors before energizing the transformer.

Section 6—Maintenance

Performing Visual and Mechanical Checks

⚠ DANGER

HAZARD OF ELECTRIC SHOCK, EXPLOSION, OR ARC FLASH

- Only qualified personnel should clean, inspect maintain and test transformers.
- Turn off power supplying this equipment before working on it.
- Disconnect and electrically isolate power to the transformer so that no accidental contact can be made with energized parts.
- Discharge all static charges held by coils.

Failure to follow these instructions will result in death or serious injury.

1. Perform a visual inspection of the transformer and its surrounding environment.
 - a. Inspect the enclosure for any physical damage.
 - b. Repair any damage, if possible.
 - c. Provide guards to prevent future damage.
2. Record operational data while the transformer is still energized and in service.
3. De-energize the transformer prior to performing work on the unit.
 - a. Follow all safety procedures to place the unit into an electrically safe condition.
 - b. Remove the access covers. Inspect for:
 - dirt on insulating surfaces and at areas which tend to restrict air flow.
 - loose connections.
 - the condition of tap changers or terminal boards.
 - the general condition of the transformer.
4. Inspect the enclosure, transformer, terminals, terminal boards, and insulators for signs of overheating from internal or external sources. Check for voltage creepage over insulating surfaces, evident by tracing or carbonization.
5. Check for evidence of rusting, corrosion and paint deterioration. Repair any rust and corrosion where necessary.

Frequency

The frequency at which transformers should be inspected depends on operating conditions.

For clean, dry locations, annual inspections may be sufficient. However, for other locations, such as where the air is contaminated with dust or chemical fumes, an inspection at three- or six-month intervals may be required. Usually after the first few inspection periods, a definite schedule can be set up based on the transformer's existing conditions.

Severe, Environmental or Special Events

- ❑ Perform routine inspections, maintenance, and testing after any severe electrical short circuit, ground fault, or environmental event (e.g., flooding) to determine the operational status of the transformer.
- ❑ Perform the inspections, maintenance and testing if the transformer has been out of service for an extended period of time. Place strip heaters to maintain the transformer temperature above ambient to prevent condensation from forming in the transformer during extended down time.

Cleaning

Connections and Contact Surfaces

A clean contact surface area is necessary, and terminals must be clean. Where the transformers are installed indoors or outdoors or in a harsh environment, the connections must be sealed with an approved electrical joint compound.

Apply the compound to exposed connections and the surface area before making a bolted connection.

Enclosures, Windings and Insulators

1. De-energize the transformer.
2. Follow the check list below to permit free circulation of air and to guard against insulation breakdowns and thermal performance issues:
 - ❑ Clean the transformer enclosure, windings and insulators by vacuuming or by blowing clean, dry, compressed air or nitrogen. Be sure to wear appropriate personal protective equipment (PPE) when cleaning.
NOTE: Vacuuming is the preferred first step for cleaning. Compressed air should have a dew point of -50°F (-45.5°C) or less, and a pressure at or below 25 psi.
 - ❑ Clean lead supports, tap changers, terminals boards, bushings and other major insulating surfaces with lint-free rags or soft bristle brushes.
NOTE: Do not use liquids, solvents or detergents, as they may deteriorate insulating materials.
 - ❑ Carefully inspect and thoroughly clean the ventilation openings (ducts) and winding assemblies. Remove any blockages.
 - ❑ Remove any trash and/or combustible materials from the area around the unit.

Performing Electrical Testing

⚠ DANGER

HAZARD OF ELECTRIC SHOCK, EXPLOSION, OR ARC FLASH

- Only qualified personnel should clean, inspect maintain and test transformers.
- Turn off power supplying this equipment before working on it.
- Disconnect and electrically isolate power to the transformer so that no accidental contact can be made with energized parts.
- Discharge all static charges held by coils.

Failure to follow these instructions will result in death or serious injury.

Perform the following electrical tests during maintenance:

- ❑ Check all electrical contacts with a calibrated torque wrench.
- ❑ Verify proper spacing.
- ❑ Refer to the manufacturer's specifications for torque values.
- ❑ Check all external hardware for tightness.

Contact Resistance

- ❑ Use a low resistance ohmmeter to measure contact resistance.
 - a. Compare values with similar connections looking for unusually high contact resistance points.
 - b. Investigate any connections that may deviate from common values by more than 50% of the lowest values.
- ❑ An infrared scanning device may be used to look for abnormal temperatures at transformer contacts for energized units.

NOTE: Take care to follow the manufacturer's procedures, as small errors in scanner operation can cause significant errors in detected temperatures.

Insulation Resistance

- Insulation resistance checks may create a capacitive charge on a winding.
1. Ground each winding for at least one minute between tests to drain any static charge created during the test.
 2. Perform insulation resistance tests with an appropriate device.
 3. Test from winding-to-winding and winding-to-ground.
 4. Record all test results for comparison for future readings.
 - Values are installation site dependent and not pre-set at the factory. All testing is compliant to NEMA ST-20.
 - Insulation resistance readings should be at least 1 megohm.
 - Lower readings may indicate the presence of moisture and require a drying procedure to correct.

Winding Resistance

- On larger transformers (>500 kVA):
1. Measure the winding resistances and record for future reference.
 2. Compare the results with the values obtained during the pre-commissioning checks. Readings should not vary by more than 5% with adjacent coils and the pre-commissioning checks.
 3. Record the temperature at which these initial readings were taken.
 - Values are installation site dependent and not pre-set at the factory. All testing is compliant to NEMA ST-20.
 4. Adjust the resistance values based on any differences in temperature between current readings and pre-commissioning values.

Grounding and Bonding

1. Check for proper values of resistance between the system ground lug (or point) and the transformer enclosure, core, frame and clamps.
2. Compare with pre-commissioning values, looking for trends that may indicate a compromise in the quality of the ground bond.

Turns Ratio

1. Perform a turns ratio test on all taps and on the full winding voltages for each phase. Significant changes may indicate a loss of winding continuity.
 - a. Compare these values with those obtained during the pre-commissioning checks. Voltages between phases should not deviate by more than 0.5% from adjacent coils.
 - b. Investigate abnormal readings found outside of this limit.
2. Verify input and output voltages are correct for the tap and output voltages expected. Investigate abnormal readings.

Sound Isolation Pads

Inspect the sound isolation pads for signs of physical deterioration.

Coil Cooling Ducts

1. Inspect all coil cooling ducts for any accumulation of dust, dirt or other obstructions.
2. Follow standard cleaning procedures to ensure proper air flow.

Terminals

Ensure terminals are in good working condition for the proper operation of transformers.

- ❑ Inspect terminals for alignment, tightness (see torque requirements), pressure, burns or corrosion. Investigate and correct any signs of damage.
- ❑ Repair minor pitting, as long as the plating on the terminal has not been compromised.

Section 7—Replacement Parts and Accessories

See Figures 34 and 35 for transformer covers (top, rear and front) and side panels (left and right), and Figure 21 on page 20 and Figure 22 on page 21 for mounting brackets (wall and ceiling). Refer to Table 4 on page 43 for a listing of replacement and accessory parts.

Figure 34: Exploded Assembly for EX75T3H Energy Efficient Transformer with Enclosure Style 20K Front

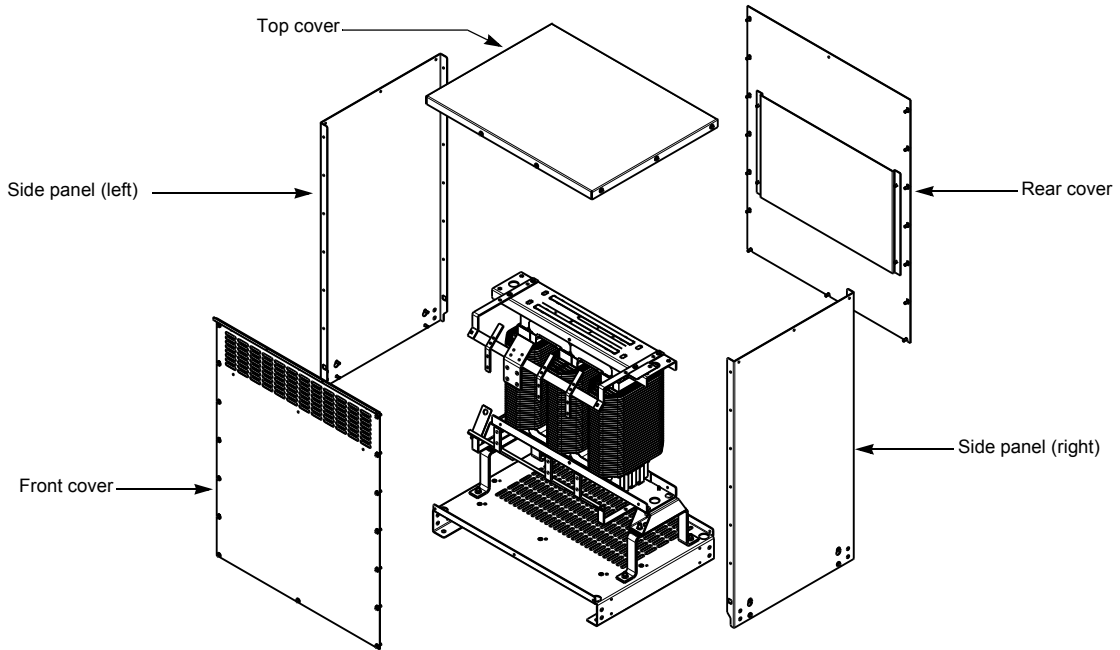
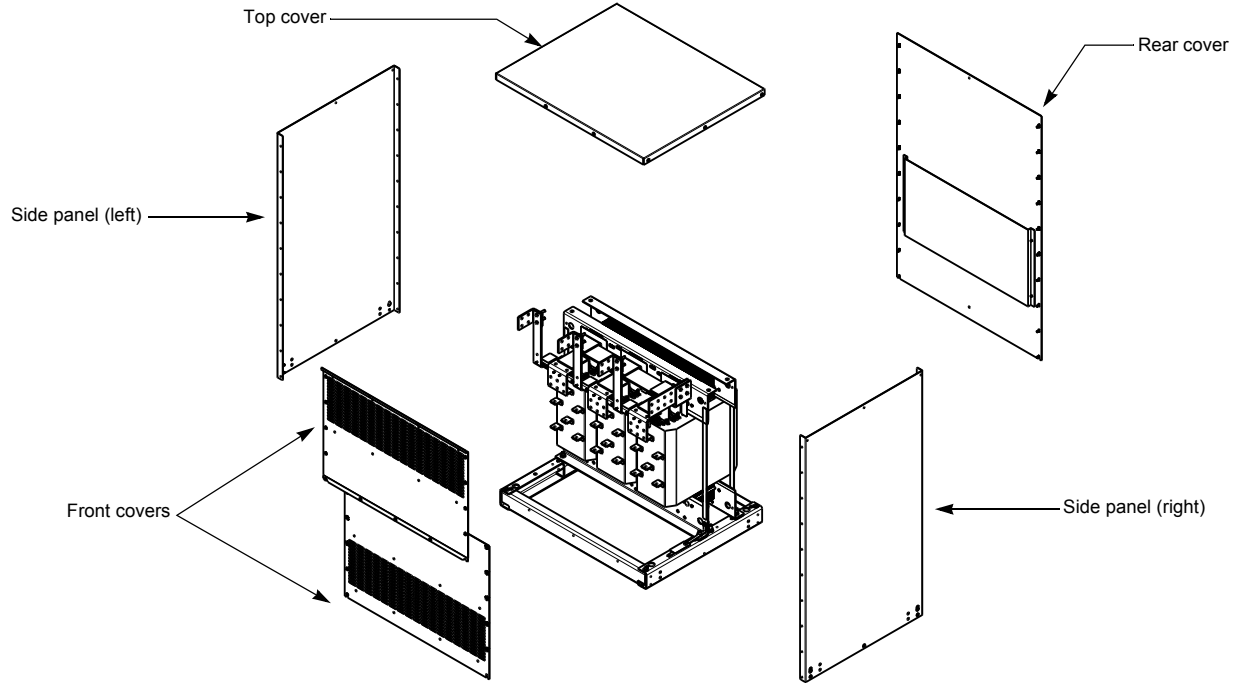


Figure 35: Exploded Assembly for EX300T3H Energy Efficient Transformer with Enclosure Style 25J Front



Refer to the Schneider Electric *Digest*, Section 14, Transformers or call 1-888-Square D (1-888-778-2733) to order replacement parts and accessories.

Refer to Table 4 for enclosure types (top, rear and front covers) side panels, weather-shields and mounting brackets (wall and ceiling).

Table 4: Covers, Side Panels, Weather Shields and Mounting Brackets

Enclosure	Top Cover	Rear Cover	Front Cover	Side Panel (Left and Right)	Weather-shield	Wall Mounting Bracket	Ceiling Mounting Bracket
	Catalog Number						
17D	4310191501	4310191601	4310191601	4310191701	WS363	WMB361362	CMB363
17E	4310191501	—	—	4310191701	—	WMB361362	CMB363
17H	4310191501	4305502003	4305502003	4310191702	WS363	WMB361362	CMB363
17K	7400TC17K	7400R17K	7400FNP17K	7400LR17K	7400WS17K	7400WMB17K	7400CMB17K
18D	4305502101	4305502001	4305502001	4305501001	WS363	WMB363364	CMB363
18E	4305502101	—	—	4305501001	—	WMB363364	CMB363
18H	4305502101	4305502003	4305502003	4310179701	WS363	WMB363364	CMB363
18K	7400TC18K	7400R18K	7400FNP18K	7400LR18K	7400WS18K	7400WMB18K	7400CMB18K
19D	4305501201	4305501101	4305501101	4305501001	WS364	WMB363364	CMB364
19E	—	—	—	—	—	—	—
19K	7400TC19K	7400R19K	7400FNP19K	7400LR19K	7400WS19K	7400WMB19K	7400CMB19K
20D	4305501201	4310192201	4310192201	4310179701	WS364	WMB363364	CMB364
20E	4305501201	—	—	4310179701	—	—	—
20K	7400TC20K	7400R20K	7400FNP20K	7400LR20K	7400WS20K	7400WMB20K	7400CMB20K
21D	4305512501	4300507404	4300507404	4305512601	WS364	—	CMB364
21E	4305512501	—	—	4305512601	—	—	CMB364
21K	7400TC21K	7400R21K	7400FNP21K	7400LR21K	7400WS21K	—	7400CMB21K
22D	4310189001	4310189102	4310189102	4310189201	WS380	—	CMB380
22E	4310189001	—	—	4310189201	—	—	CMB380
22K	7400TC22K	7400R22K	7400FNP22K	7400LR22K	7400WS22K	—	7400CMB22K
23E	—	—	—	—	—	—	—
24D	4310190701	4310190802	4310190802	4310190901	WS381	—	CMB381
24E	4310190701	—	—	4310190901	—	—	CMB381
24K	7400TC24K	7400R24K	7400FNP24K	7400LR24K	7400WS24K	—	7400CMB24K
25D	4310189901	4310190001	4310190001	4310190101	WS382	—	—
25E	4310189901	—	—	4310190101	—	—	—
25J	7400TC25J	7400R25J	7400FNP25J	7400LR25J	7400WS25J	—	—
26D	—	—	—	—	—	—	—
28D	—	—	—	—	—	—	—
28E	—	—	—	—	—	—	—
29D	—	—	—	—	—	—	—
30D	4310192601	(U)4310192901 (L)4310193001	(U)4310192901 (L)4310193001	4310192801	WS383	—	—
30E	4310192601	—	—	—	—	—	—
30J	7400TC30J	7400RU30J 7400RL30J	7400FU30J 7400FLNP30J	7400LR30J	7400WS30J	—	—
31D	—	—	—	—	—	—	—
31E	—	—	—	—	—	—	—
31J	7400TC31J	7400RU31J 7400RL31J	7400FU31J 7400FLNP31J	7400LR31J	7400WS31J	—	—

Touch-up Paint: Catalog Number PK49SP

Refer to Table 5 for available transformer lug kits. For additional information regarding terminal connectors, refer to the label on the reverse side of the transformer front panel. See Figure 36.

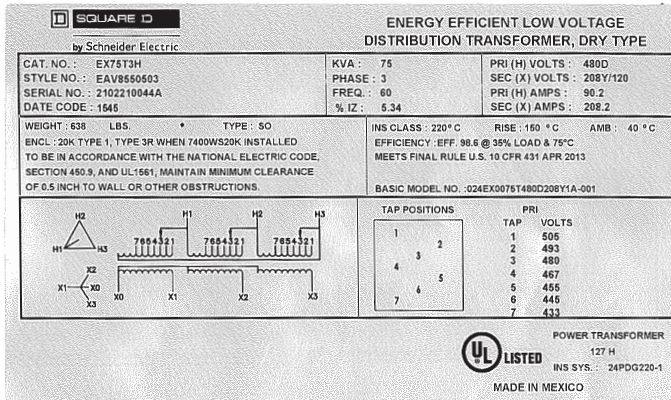
Table 5: VERSAtile™ Compression Lugs and Mechanical Set-Screw Types—UL Listed Lugs AL9CU

Transformer kVA Sizes	Kit Catalog Number	Terminal Lugs		Aluminum or Copper Conductor Range (AWG or kcmil)	Hardware Included	
		Qty.	Catalog Number		Qty.	Cap Screws
VERSAtile Compression Equipment Lugs						
15–37 1/2 1Ø	VCELSK1	8	VCEL02114S1	#8–1/0	8	1/4 in. x 1 in.
15–45 3Ø		5	VCEL030516H1	#4–300 kcmil	1	1/4 in. x 2 in.
50–75 1Ø	VCELSK2	13	VCEL030516H1	#4–300 kcmil	8	1/4 in. x 1 in.
75–112 1/2 3Ø					8	1/4 in. x 2 in.
100–167 1Ø	VCELSK3	3 26	VCEL030516H1	#4–300 kcmil	3	1/4 in. x 3/4 in.
150–300 3Ø			VCEL07512H1	#500–750 kcmil Al #500 kcmil Cu		
500 3Ø	VCELSK4	34	VCEL07512H1	#500–750 kcmil Al #500 kcmil Cu	21	3/8 in. x 2 in.

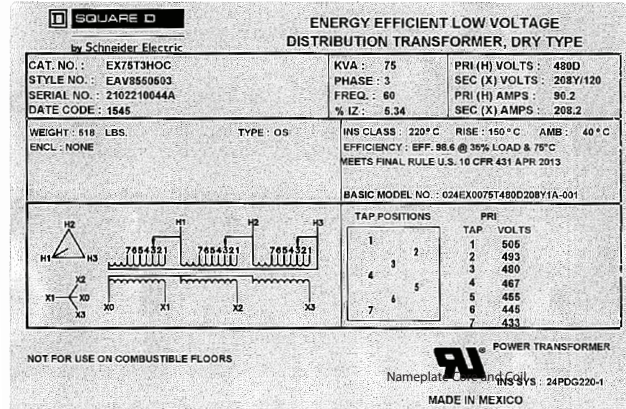
NOTE: Refer to UL 486A for torque values to be used with lug connection hardware.

Two nameplates are attached to each unit. See Figure 36. One on the front cover which is required by standards, the second nameplate is attached to the core and coil, providing installation information inside the unit. The second nameplate also carries a UR listing for the core and coil, allowing the enclosure to be removed and the device installed in the equipment.

Figure 36: Sample Nameplates



Attached to the Front Cover



Attached to the Core and Coil

Refer to Table 6 for Square D lug kits for the following dry-type transformers:

- Single-phase primary, single-phase secondary, three-phase Delta primary, three-phase secondary
- Single-phase primary and secondary, three-phase Wye secondary, three-phase Delta with center tap

Table 6: Square D Lug Kits for Dry-type Transformers

Catalog Number	Lugs per Kit	Wire Range	Cap Screws	Current Range	Grounding Lugs per Kit	Wire Range	Bonding Lugs per Kit	Wire Range
Single-phase Primary, Single-phase Secondary, Three-phase Delta Primary, Three-phase Secondary								
DASKP100	3	1/0–14 STR.	1/4 in. x 1 in.	Up to 100 A	Not Applicable	Not Applicable	Not Applicable	Not Applicable
DASKP250	3	350 kcmil–6 STR.	3/8 in. x 2 in.	101–250 A				
DASKP400	3	600 kcmil–4 STR. (2) 250 kcmil–1/0 STR.	3/8 in. x 2 in.	201–400 A				
DASKP600	6	600 kcmil–4 STR. (2) 250 kcmil–1/0 STR.	3/8 in. x 2 in.	601–800 A				
DASKP1000	9	600 kcmil–2 STR.	3/8 in. x 2 in.	601–800 A				
DASKP1200	12	600 kcmil–2 STR.	3/8 in. x 2 in.	801–1200 A				
Single-phase Primary and Secondary, Three-phase Wye Secondary, Three-phase Delta with Center Tap								
DASKGS100	5	1/0–14 STR.	1/4 in. x 1 in.	Up to 100 A	1	(4) 2/0–14 STR.	1	2–14 STR.
DASKGS250	5	350 kcmil–6 STR.	3/8 in. x 2 in.	101–250 A	1	(4) 2/0–14 STR.	1	2–14 STR.
DASKGS400	5	600 kcmil–4 STR. (2) 250 kcmil–1/0 STR.	3/8 in. x 2 in.	201–400 A	1	(4) 2/0–14 STR.	1	1/0–14 STR.
DASKGS600	10	600 kcmil–4 STR. (2) 250 kcmil–1/0 STR.	3/8 in. x 2 in.	601–800 A	1	(4) 350 kcmil–6 STR.	1	250 kcmil–6 STR.
DASKGS1000	15	600 kcmil–2 STR.	3/8 in. x 2 in.	601–800 A	1	(4) 350 kcmil–6 STR.	1	250 kcmil–6 STR.
DASKGS1200	20	600 kcmil–2 STR.	3/8 in. x 2 in.	801–1200 A	1	(4) 350 kcmil–6 STR.	1	250 kcmil–6 STR.
DASKGS2000	25	600 kcmil–2 STR.	3/8 in. x 2 in.	1201–2000 A	1	(4) 350 kcmil–6 STR.	1	250 kcmil–6 STR.

NOTE: Lugs are not supplied with transformer units. They must be purchased separately.

Refer to UL 486A for torque values to be used with lug connection hardware.

Refer to Table 7 for terminal mechanical and compression lugs and their appropriate wire ranges for dry-type transformers.

NOTE: All terminals allow for NEMA two-hole lugs.

Table 7: Terminal Sizes, Mechanical and Compression Lugs and Wire Ranges

kVA	300 Volts and Above		Below 300 Volts	
	Terminal Mechanical Lugs	Terminal Compression Lugs	Terminal Mechanical Lugs	Terminal Compression Lugs
15	2/0–14 AWG	(1) #12–10 AWG (1) #8–#1/0 AWG	2/0–14 AWG	(1) #8–#1/0 AWG
30	2/0–14 AWG	(1) #8–#1/0 AWG	350 kcmil–6 AWG	(1) #8–#1/0 AWG (1) #4–300 kcmil (1) 250–350 kcmil
45	2/0–14 AWG 350 kcmil–6 AWG	(1) #8–#1/0 AWG (1) #4–300 kcmil	350 kcmil–6 AWG (1) 600 kcmil–4 AWG or (2) Equal 250 kcmil–1/0 AWG	(1) 250–350kcmil (1) #2/0–500 kcmil (2) #4–300 kcmil
75	2/0–14 AWG 350 kcmil–6 AWG	(1) #8–#1/0 AWG (1) #4–300 kcmil (1) 250–350 kcmil	(1) 600 kcmil–4 AWG or (2) Equal 250 kcmil–1/0 AWG	(2) #2/0–500 kcmil (1) 400–600 kcmil AI (2) #4–300 kcmil (2) 250–350 kcmil
112.5	350 kcmil–6 AWG (1) 600 kcmil–4 AWG or (2) Equal 250 kcmil–1/0 AWG	(1) 250 kcmil–350 kcmil (1) #2/0–500 kcmil (2) #4–300 kcmil	(2) 350 kcmil–6 AWG (2) 600 kcmil–2 AWG	(3) 250–350 kcmil (3) #4–300 kcmil (2) 400–600 kcmil AI
150	(1) 600 kcmil–4 AWG or (2) Equal 250 kcmil–1/0 AWG	(1) 250–350 kcmil (2) #4–300 kcmil	(3) 350 kcmil–6 AWG (2) 600 kcmil–2 AWG	(3) #2/0–500 kcmil (3) #4–300 kcmil (3) 400–600 kcmil AI (4) 250–350 kcmil
225	1) 600 kcmil–2 AWG (2) 600 kcmil–2 AWG	(2) #2/0–500 kcmil (2) 400–600 kcmil AI (2) #4–300 kcmil	(3) 600 kcmil–2 AWG	(4) #4–300 kcmil (4) #2/0–500 kcmil
300	(2) 600 kcmil–2 AWG	(3) 250–350 kcmil (3) #2/0–500 kcmil (3) 400–600 kcmil AI	(4) 600 kcmil–2 AWG	(6) #2/0–500 kcmil (6) 400–600 kcmil AI
500	(3) 600 kcmil–2 AWG	(4) #4–300 kcmil (4) #2/0–500 kcmil	(6) 600 kcmil–2 AWG	(9) #2/0–500kcmil (9) 400–600 kcmil AI
750	(4) 600 kcmil–2 AWG	(6) #2/0–500 kcmil (6) 400–600 kcmil AI	(9) 600 kcmil–2 AWG	(15) #2/0–500 kcmil (15) 400–600 kcmil AI

NOTE: All terminals allow for NEMA two-hole lugs.

Refer to Table 8 for Square D ground bar kits.

Table 8: Square D Ground Bar Kits

Catalog Number	Grounding Lugs per Kit	Wire Range
DASKGTB100400	1	(4) 2/0–14 STR.
DASKGTB6002000	1	(4) 350 KCML–6 STR.

**Dry-type Transformers—1000 Volts and Below
Instruction Bulletin**

ENGLISH

Schneider Electric
800 Federal Street
Andover, MA 01810 USA
1-888-778-2733
www.schneider-electric.us

Electrical equipment should be installed, operated, serviced, and maintained only by qualified personnel. No responsibility is assumed by Schneider Electric for any consequences arising out of the use of this material.

© 1992–2015 Schneider Electric All Rights Reserved
Schneider Electric and Square D are trademarks owned by Schneider Electric Industries SAS or its affiliated companies. All other trademarks are the property of their respective owners.

43006-850-01 Rev. 02, 11/2015
Replaces 43006-850-01 Rev 01, 12/1992

Transformateurs de type sec

1000 V et moins

Classe 7400

Directives d'utilisation

43006-850-01

Rév. 02, 11/2015

À conserver pour usage ultérieur.



FRANÇAIS



by Schneider Electric

Catégories de dangers et symboles spéciaux



Lisez attentivement ces directives et examinez l'appareil pour vous familiariser avec son fonctionnement avant de faire son installation ou son entretien. Les messages spéciaux suivants peuvent apparaître dans les présentes directives ou sur l'appareil pour avertir l'utilisateur de dangers ou pour attirer l'attention sur des informations qui clarifient ou simplifient une procédure.

L'ajout d'un de ces deux symboles à une étiquette de sécurité de « Danger » ou d'« Avertissement » indique qu'un danger électrique existe et qu'il peut entraîner des blessures corporelles si les directives ne sont pas respectées.

Ceci est le symbole d'alerte de sécurité. Il est utilisé pour vous alerter de dangers de blessures corporelles. Veuillez vous conformer à tous les messages de sécurité qui suivent ce symbole pour éviter une blessure ou la mort.

⚠ DANGER

DANGER indique une situation de danger imminent qui, si elle n'est pas évitée, **entraînera** la mort ou des blessures graves.

⚠ AVERTISSEMENT

AVERTISSEMENT indique une situation de danger potentiel qui, si elle n'est pas évitée, **peut entraîner** la mort ou des blessures graves.

⚠ ATTENTION

ATTENTION indique une situation de danger potentiel qui, si elle n'est pas évitée, **peut entraîner** des blessures mineures ou modérées.

AVIS

AVIS est utilisé pour aborder des pratiques ne concernant pas les blessures. Le symbole d'alerte de sécurité n'est pas utilisé avec ce mot d'information.

REMARQUE : Fournit des renseignements complémentaires pour clarifier ou simplifier une procédure.

Veillez noter

Seul un personnel qualifié doit effectuer l'installation, l'utilisation, l'entretien et la maintenance du matériel électrique. Schneider Electric n'assume aucune responsabilité des conséquences éventuelles découlant de l'utilisation de cette documentation.

Table des matières

SECTION 1 : INTRODUCTION	7
SECTION 2 : MESURES DE SÉCURITÉ	9
Codes et normes	9
Déclaration exonératoire	9
SECTION 3 : RÉCEPTION, MANUTENTION ET ENTREPOSAGE	11
Réception	11
Manutention	12
Manutention à l'aide de grues ou chariots élévateurs, transpalettes ou chariots élévateurs à fourche	12
Manutention avec une grue : Utilisation de câbles, chaînes ou sangles	13
Manutention d'armoires de types D, H et K après retrait de la palette d'expédition	16
Entreposage	17
SECTION 4 : INSTALLATION	19
Localiser/mettre en place les transformateurs ventilés et non ventilés	19
Tous les types d'armoires (D, E, F, H, K et J)	22
Mise à la terre	26
Qualifications sismiques	27
Contrôle des bruits/vibrations	27
Armoire de type K	28
Armoires de types D, E, H et J	28
Raccordements électriques	29
Vérifications et essais avant la mise en service/mise sous tension	33
Nettoyage	33
Vérifications visuelles et mécaniques	33
Essais électriques	34
SECTION 5 : FONCTIONNEMENT	35
Effets de l'humidité	35
Température de l'armoire	36
Avant de mettre les transformateurs sous tension	36
Mise sous tension du transformateur	36
SECTION 6 : ENTRETIEN	39
Exécution de vérifications visuelles et mécaniques	39
Fréquence	39
Évènements graves, environnementaux ou spéciaux	40
Nettoyage	40
Raccordements et surfaces de contact	40
Armoires, enroulements et isolateurs	40
Exécution d'essais électriques	41
Résistance des contacts	41
Résistance de l'isolation	41
Résistance des enroulements	42
Mise à la terre et à la masse	42
Rapport des spires	42
Coussinets isolants antibruit	42
Conduits de refroidissement des bobines	42
Bornes	42

SECTION 7 : PIÈCES DE RECHANGE ET ACCESSOIRES 43

Liste des figures

Figure 1 :	Transformateurs écoénergétiques 2016 (EX)	7
Figure 2 :	Transformateurs écoénergétiques 2016 (EX)	7
Figure 3 :	Noyau et bobine ouverts	8
Figure 4 :	Transformateur ventilé écoénergétique (EE)	8
Figure 5 :	Non linéaire (NL, NP, NLP) et d'atténuation harmonique (HM)	8
Figure 6 :	Transformateur non ventilé	8
Figure 7 :	Manutention avec un chariot élévateur : Lames ou fourches placées sous le transformateur entier (palette d'expédition attachée)	12
Figure 8 :	Levage à deux points : Angles de tirage des câbles (pas moins de 60 degrés à partir de l'horizontale)	13
Figure 9 :	Levage à deux points : Manutention à l'aide de chaînes et crochets à angles (pas moins de 60 degrés à partir de l'horizontale)	14
Figure 10 :	Levage à quatre points : Manutention à l'aide de chaînes et crochets par les quatre coins (pas moins de 60 degrés à partir de l'horizontale)	15
Figure 11 :	Levage à quatre points : Manutention à l'aide d'une sangle et de crochets (pas moins de 60 degrés à partir de l'horizontale)	16
Figure 12 :	Manutention à l'aide d'un transpalette : Armoires de types D, E, H et K après retrait de la palette d'expédition	16
Figure 13 :	Exemple de plaque signalétique	19
Figure 14 :	Distance minimale marquée sur la plaque signalétique (NEC 450.9 – É.-U.)	20
Figure 15 :	Montage : Armoires de types D, H, K et E	20
Figure 16 :	Armoires D, H, K et E	20
Figure 17 :	Montage de l'armoire de type J : Ventilée	21
Figure 18 :	Support de montage au sol Armoire de type K	21
Figure 19 :	Support de montage au sol Armoire de type K	21
Figure 20 :	Transformateurs installés à l'intérieur : NEC 450.21 (É.-U.), exceptions A ou B de l'exemple de plaque signalétique	22
Figure 21 :	Transformateur à montage mural	23
Figure 22 :	Transformateur à montage avec trapèze (au plafond)	24
Figure 23 :	Kits d'armoire de type 3R	25
Figure 24 :	Bornier de m.à.l.t. à quatre conducteurs	26
Figure 25 :	Étiquette de desserrage des écrous d'un tour complet (quatre endroits)	27
Figure 26 :	Flottaison du transformateur sur les coussinets isolants/amortisseurs de sons	27
Figure 27 :	Armoire de type K : Boulons accessibles par l'avant du transformateur	28
Figure 28 :	Point d'accès : Armoires de types D, E, H et K	29
Figure 29 :	Point d'accès : Armoire de type J :	30
Figure 30 :	Étiquette pour montrer l'emplacement supérieur sur les armoires (points d'accès sous la carte de bornes supérieure)	30
Figure 31 :	Schéma des phases, emplacements des prises et tension nominale marqués sur la plaque signalétique	31

Figure 32 : Étiquette d'attention pour les transformateurs raccordés triangle-étoile ou étoile-triangle	32
Figure 33 : Retrait des attaches temporaires	36
Figure 34 : Assemblage éclaté pour le transformateur écoénergétique EX75T3H avec un couvercle avant d'armoire de type 20K	43
Figure 35 : Assemblage éclaté pour le transformateur écoénergétique EX300T3H avec un couvercle avant d'armoire de type 25J	44
Figure 36 : Exemple de plaques signalétiques	46

Liste des tableaux

Tableau 1 : Dégagements de l'armoire	22
Tableau 2 : Conversion de montage au sol à montage mural (à l'aide de kits d'usine)	23
Tableau 3 : Conversion de montage au sol à montage avec trapèze (au plafond) (à l'aide de kits d'usine)	24
Tableau 4 : Couvercles, panneaux latéraux, protections contre les intempéries et supports de montage	45
Tableau 5 : Cosses à compression VERSAtile ^{MC} et vis de pression mécaniques—cosses inscrites UL AL9CU	46
Tableau 6 : Kits des cosses Square D pour transformateurs de type sec	47
Tableau 7 : Taille des bornes, cosses mécaniques et à compression et calibres des fils	48
Tableau 8 : Kits de barres-bus de m.à.l.t. Square D	48

Section 1—Introduction

Ce bulletin fournit les directives d'installation, de fonctionnement et d'entretien des transformateurs de type sec de 1 000 V et moins destinés à des applications commerciales et industrielles.

REMARQUE : Ces directives d'utilisation ne doivent être utilisées que par un personnel qualifié.

Les familles suivantes de transformateurs de type sec sont comprises dans ces directives d'utilisation. Des transformateurs typiques sont représentés dans les figures 1 à 6.

- Transformateurs de distribution basse tension, triphasés et monophasés
 - À usage général—50 et 60 Hz
 - Écoénergétique (EE)—60 Hz
 - Écoénergétique 2016 (EX)—60 Hz
 - Disponibilité non linéaire (NL, NP ou NLP)—50 et 60 Hz
 - Transformateurs d'atténuation harmonique (HM)—50 et 60 Hz
 - Noyau et bobine ouverts (OC)
- Transformateurs d'isolement de variateur (DIT)
- Transformateurs non ventilés (NV)

Figure 1 : Transformateurs écoénergétiques 2016 (EX)



Figure 2 : Transformateurs écoénergétiques 2016 (EX)

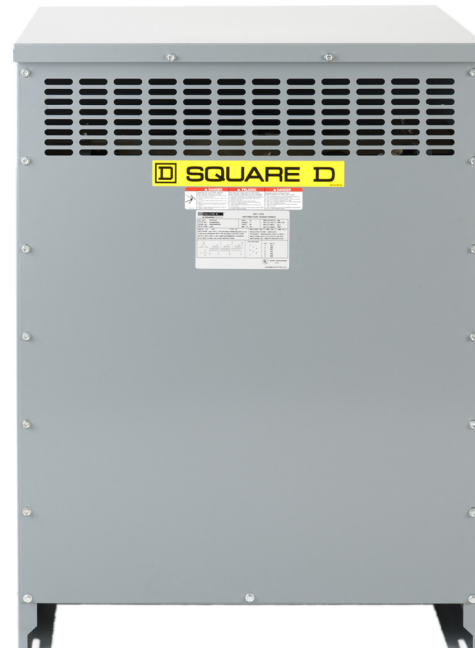


Figure 3 : Noyau et bobine ouverts

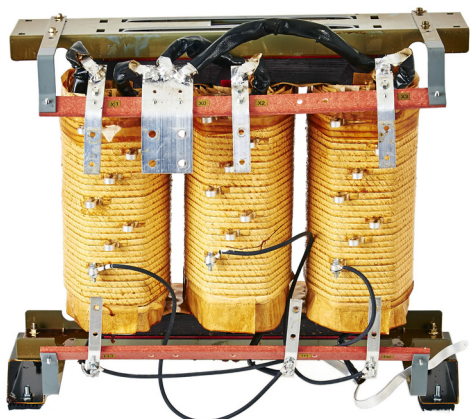


Figure 4 : Transformateur ventilé écoénergétique (EE)



Figure 5 : Non linéaire (NL, NP, NLP) et d'atténuation harmonique (HM)



Figure 6 : Transformateur non ventilé



Section 2—Mesures de sécurité

⚠ DANGER

RISQUE D'ÉLECTROCUTION, D'EXPLOSION OU ÉCLAIR D'ARC ÉLECTRIQUE

- Portez un équipement de protection personnelle (ÉPP) approprié et observez les méthodes de travail électrique sécuritaire. Voir NFPA 70E, NOM-029-STPS-2011 ou CSA Z462.
- Seul un personnel qualifié doit effectuer l'installation et l'entretien de cet appareil.
- N'entreprenez ce travail qu'après avoir lu et compris toutes les explications contenues dans ces directives.
- Coupez toutes les alimentations à cet appareil avant d'y travailler.
- Utilisez toujours un dispositif de détection de tension à valeur nominale appropriée pour vous assurer que l'alimentation est coupée.
- Avant d'effectuer des inspections visuelles, des essais ou des procédures d'entretien sur cet appareil, déconnectez toutes les sources d'alimentation. Présumez que tous les circuits sont sous tension tant qu'ils n'ont pas été complètement mis hors tension, vérifiés et étiquetés. Faites particulièrement attention à l'agencement du système d'alimentation. Considérez toutes les sources d'alimentation, y compris la possibilité de rétro-alimentation.
- Observez toujours toutes les procédures d'interverrouillage et d'étiquetage selon la réglementation OSHA.
- Inspectez soigneusement la zone de travail et enlevez tous les outils et objets laissés à l'intérieur de l'appareil.
- Remplacez tous les dispositifs, les portes et les couvercles avant de mettre l'appareil sous tension.
- Les explications données dans ces directives présument que le client a pris ces mesures avant d'effectuer un entretien ou des essais.

Si ces directives ne sont pas respectées, cela entraînera la mort ou des blessures graves.

Codes et normes

Les utilisateurs de ce document ont la responsabilité d'employer un personnel qualifié en électricité et d'observer les codes de l'électricité en vigueur aux niveaux fédéral, d'état et local lors de l'installation d'appareils et systèmes électriques.

Ce document adhère aux codes et normes tels que précisés par l'association nationale de protection contre les incendies (National Fire Protection Association® -NFPA). Se reporter à NFPA 70 : Édition 2014 du Code national de l'électricité (É.-U.) (NEC®).

Déclaration exonératoire

Seul un personnel qualifié doit effectuer l'installation, l'utilisation, l'entretien et la maintenance du matériel électrique. Schneider Electric n'assume aucune responsabilité des conséquences éventuelles découlant de l'utilisation de cette documentation.

Section 3—Réception, manutention et entreposage

Réception

1. Dès la réception, retirer l'emballage.
 - Inspecter immédiatement le nouveau transformateur pour détecter d'éventuels dommages d'expédition.
 - Se reporter à Pièces de rechange et accessoires à la page 43 pour les pièces de rechange, les accessoires (par ex., peinture pour retouche) et les pièces supplémentaires pour des dommages mineurs.
2. Comparer la liste d'emballage et la plaque signalétique du produit.
 - S'assurer que la commande et l'expédition correspondent et que l'envoi est complet.

REMARQUE : Observer les modalités de vente de Schneider Electric en cas de pièces manquantes et d'erreurs.
3. Remballer les transformateurs pour leur entreposage s'ils ne doivent pas être installés immédiatement.
 - Couvrir toutes les ouvertures de ventilation à titre de protection contre toute exposition à l'humidité, la poussière et aux polluants.
 - Conserver les matériaux d'emballage intacts jusqu'à ce que les transformateurs soient prêts à être installés.
4. Se reporter à « Modalités de ventes » pour les détails au sujet des réclamations pour des pièces manquantes et autres erreurs. Contacter votre distributeur local de Schneider Electric pour de l'aide supplémentaire.

Manutention

Manier les transformateurs avec soin afin d'éviter tout endommagement. Éviter de soumettre les transformateurs à des impacts, cahots, secousses et à une manutention brutale. S'assurer que les transformateurs sont expédiés en position verticale. Chaque fois que possible, transporter les transformateurs vers le site d'installation alors qu'ils se trouvent encore montés sur les palettes d'expédition.

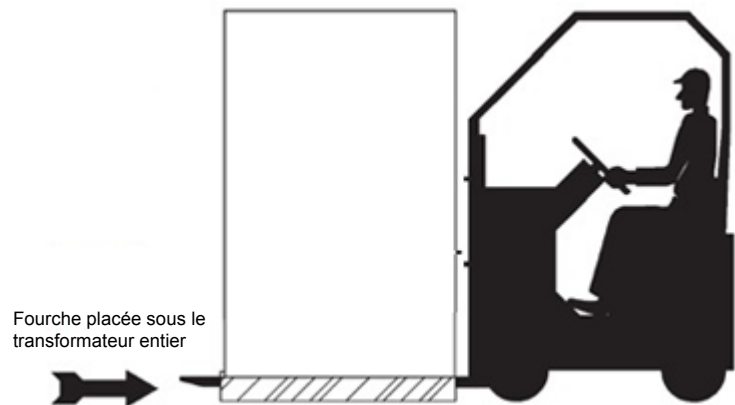
Vérifier si le poids du transformateur ne dépasse pas la capacité nominale de l'appareil de manutention à utiliser.

Manutention à l'aide de grues ou chariots élévateurs, transpalettes ou chariots élévateurs à fourche

Des précautions extrêmes doivent être prises lors du déplacement de transformateurs par le bas. Voir la figure 7.

- Prendre soin de répartir le poids lors du transport de transformateurs à l'aide de grues, chariots élévateurs, transpalettes ou chariots élévateurs à fourche.
- N'employer des chariots manuels ou élévateurs que lorsque les lames ou fourches sont suffisamment longues pour passer complètement sous l'armoire du transformateur ou la palette d'expédition. Un écart plus large entre les fourches est préférable pour répartir le poids de l'unité de façon égale afin d'assurer une meilleure stabilité.

Figure 7 : Manutention avec un chariot élévateur : Lames ou fourches placées sous le transformateur entier (palette d'expédition attachée)



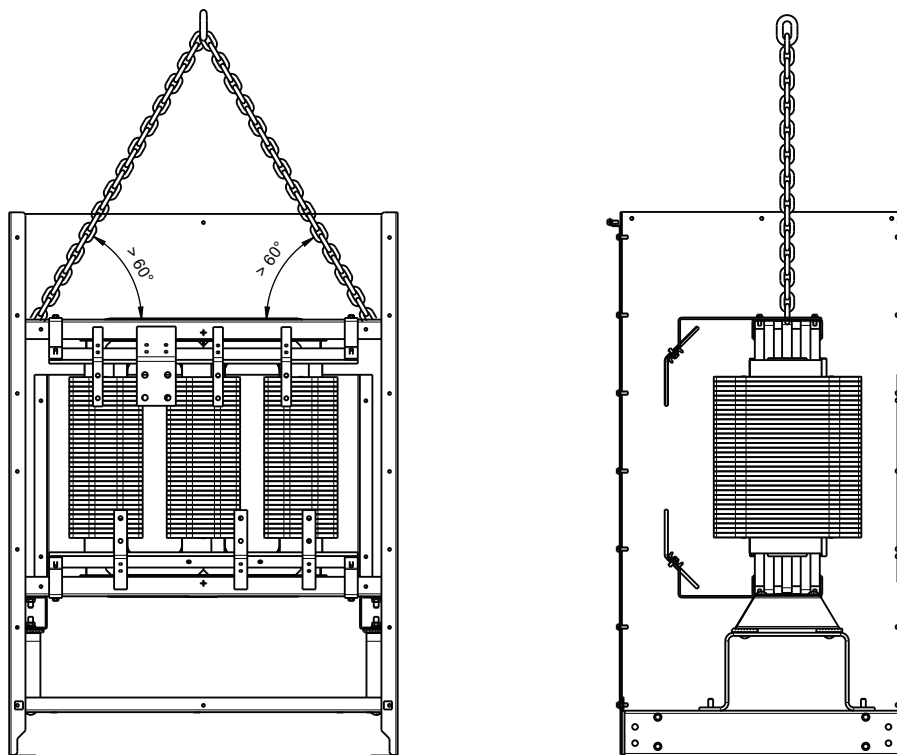
Manutention avec une grue : Utilisation de câbles, chaînes ou sangles

Lors du levage du transformateur par le haut, l'emploi d'entretoises avec des câbles ou des chaînes est toléré. Cela contribuera à éviter l'endommagement de l'armoire ou de l'appareil.

L'armoire peut être retirée pour permettre le passage des unités par des petites ouvertures, le levage avec les mêmes moyens que ceux représentés à la figure 8 à la page 13, à la figure 9 à la page 14 et aux figures 10 et 11 à la page 16. Se reporter aux figures 34 et 35 dans Pièces de rechange et accessoires à la page 43 pour les vues éclatées des pièces et accessoires.

Assurer que les angles de tirage des câbles de levage ne soient pas inférieurs à 60 degrés à partir de l'horizontale. Voir la figure 8 à la page 13.

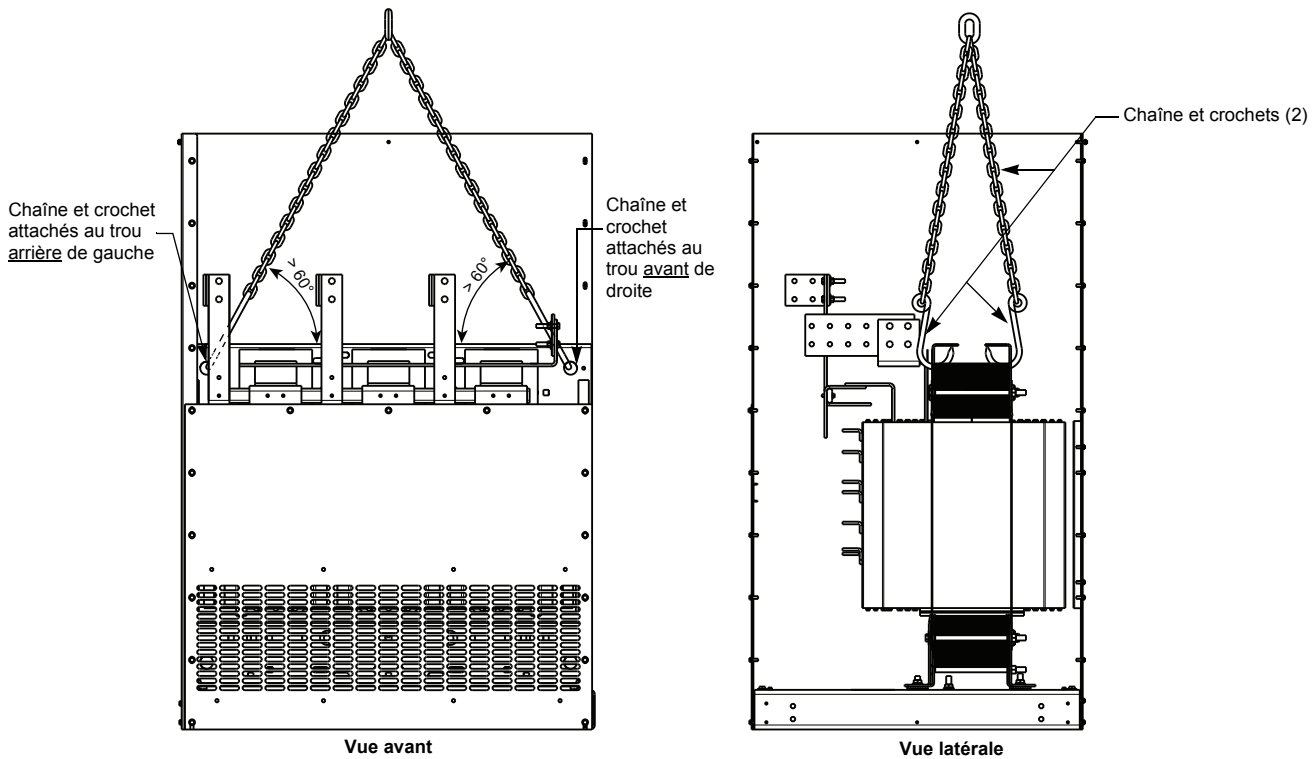
Figure 8 : Levage à deux points : Angles de tirage des câbles (pas moins de 60 degrés à partir de l'horizontale)



FRANÇAIS

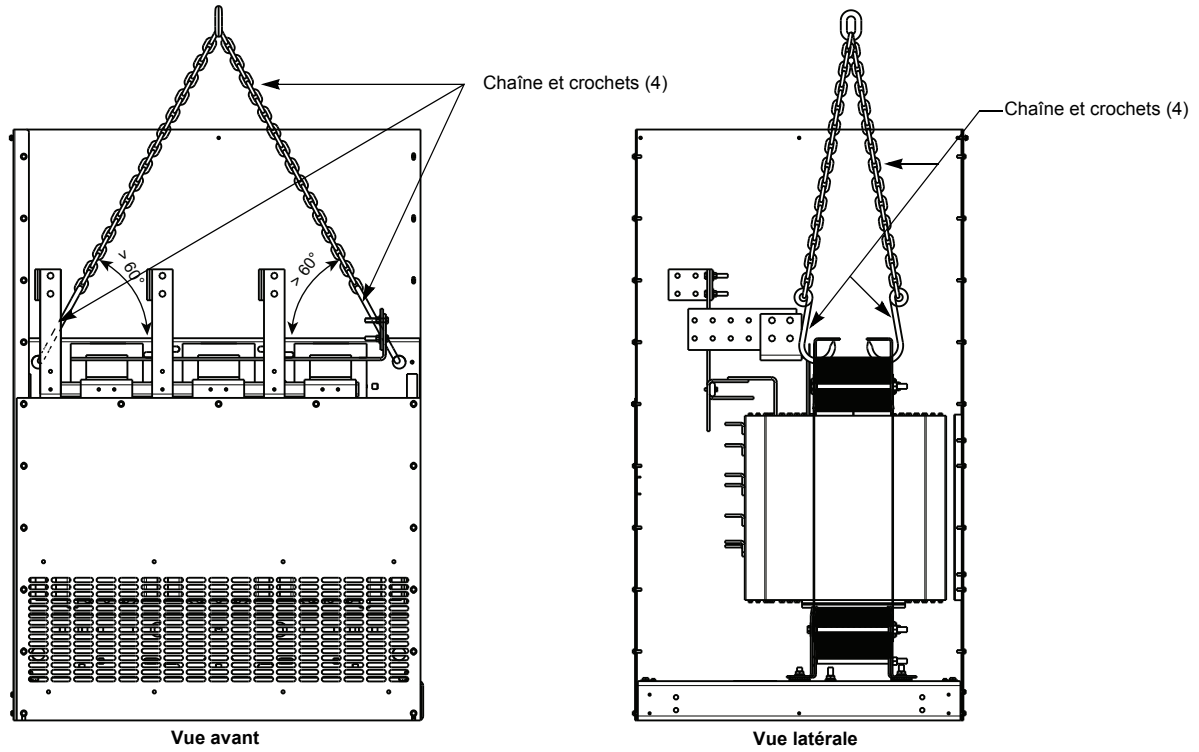
Se reporter aux figures 9 à 11 aux pages 14 à 16 pour d'autres options possibles de levage et de manutention.

Figure 9 : Levage à deux points : Manutention à l'aide de chaînes et crochets à angles (pas moins de 60 degrés à partir de l'horizontale)



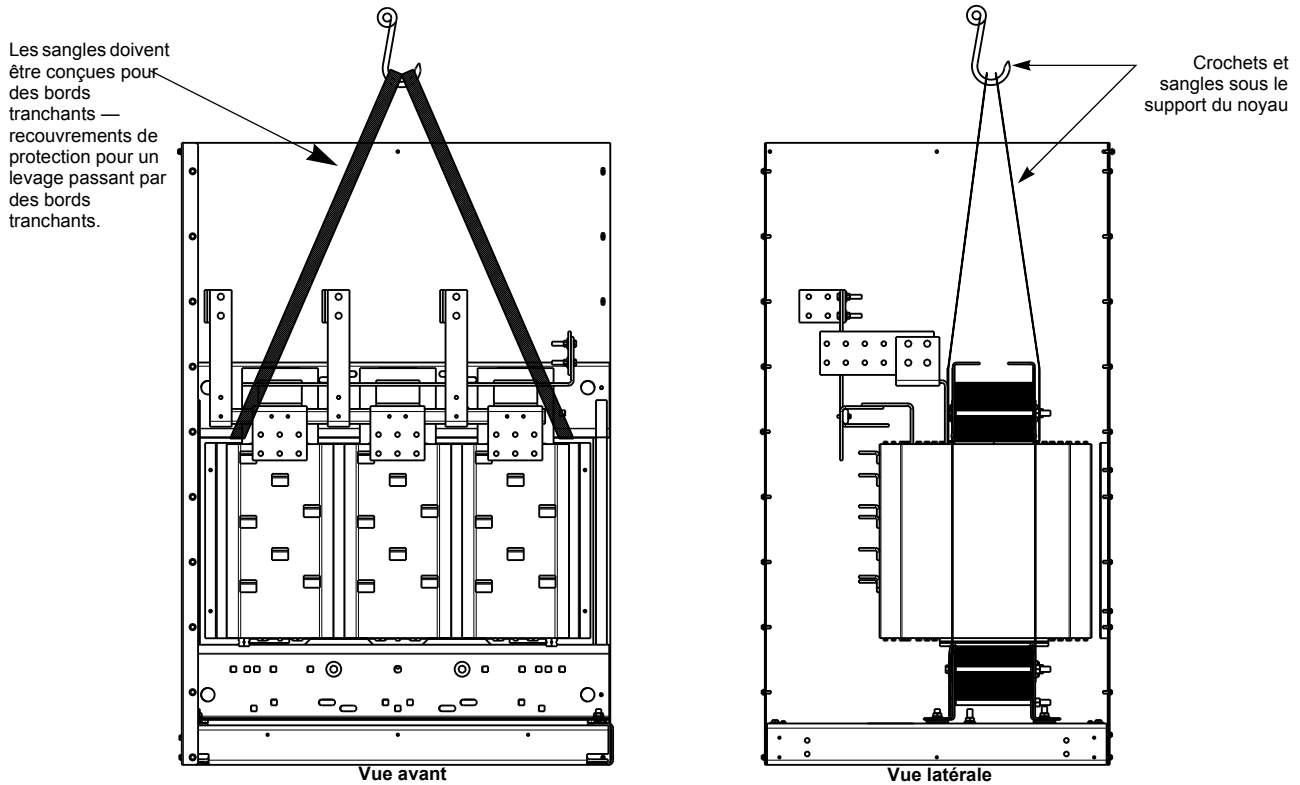
Levage à deux points à l'aide de chaînes et crochets : Support du noyau supérieur, trou avant et du côté droit. Support arrière, trou arrière et du côté gauche

Figure 10 : Levage à quatre points : Manutention à l'aide de chaînes et crochets par les quatre coins (pas moins de 60 degrés à partir de l'horizontale)



Levage à quatre points : Les crochets sont dans les trous avant et arrière du support du noyau (4), avec les chaînes soulevant les crochets.

Figure 11 : Levage à quatre points : Manutention à l'aide d'une sangle et de crochets (pas moins de 60 degrés à partir de l'horizontale)



Levage à quatre points : Les sangles se trouvent sous les supports du noyau, les sangles de l'avant à l'arrière se rejoignant au haut avec un crochet. Utiliser des sangles ayant un recouvrement de protection, les colliers du noyau sont tranchants.

Manutention d'armoires de types D, H et K après retrait de la palette d'expédition

Les chariots de manutention et élévateurs peuvent saisir et déplacer le transformateur au moyen des ouvertures avant et arrière, sous le bas de la base. Voir la figure 12. Suivre les mêmes directives de manutention (à partir de la page 12) comme si la palette était encore attachée.

Figure 12 : Manutention à l'aide d'un transpalette : Armoires de types D, E, H et K après retrait de la palette d'expédition



Entreposage

Laisser en place le matériau d'emballage qui contient le transformateur jusqu'à ce que l'unité soit prête pour sa mise en place définitive et son câblage. Cela contribuera à protéger l'armoire et les pièces internes du transformateur de la contamination par la crasse, l'eau et l'humidité et de tout endommagement physique pendant l'entreposage. Prendre des mesures supplémentaires pour protéger le transformateur lorsque le matériau d'emballage d'origine ne peut pas être conservé.

Entreposer les transformateurs à l'intérieur dans un bâtiment propre, sec et chauffé, avec des températures uniformes et une circulation d'air adéquate. Si nécessaire, installer un chauffage électrique pour maintenir une température uniforme au-dessus de la température ambiante afin d'empêcher la condensation.

Protéger les transformateurs des conditions météorologiques et de la contamination quand il n'est pas possible de les entreposer à l'intérieur.

Avant de mettre le transformateur sous tension, effectuer les points dans Vérifications et essais avant la mise en service/mise sous tension ainsi que les points suivants :

1. Mesurer la résistance de l'isolation si l'entreposage dans un environnement contrôlé n'est pas faisable. Se reporter à la section Résistance de l'isolation à la page 41.
2. Sécher l'unité si les niveaux des essais sont inacceptables :
 - a. Utiliser deux appareils de chauffage ou lampes par bobine à 120 V, 50 W, pour appliquer un chauffage externe aux bobines.
 - b. Monter l'appareil de chauffage ou la lampe directement sous les bobines situées à l'avant et à l'arrière du noyau.


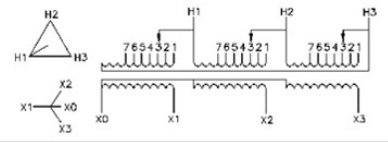

REMARQUE : Les transformateurs extérieurs ne résistent pas aux conditions météorologiques tant qu'ils ne sont pas correctement et complètement installés et mis sous tension. Traiter les transformateurs extérieurs exactement de la même manière que les transformateurs intérieurs jusqu'après leur installation.

Section 4—Installation

Localiser/mettre en place les transformateurs ventilés et non ventilés

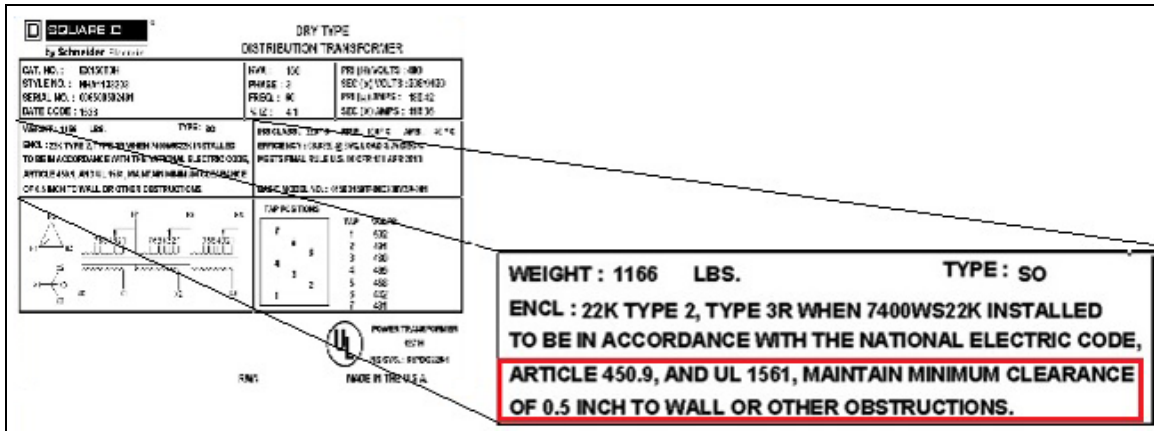
1. Enlever tous les matériaux d'emballage. Maintenir la palette d'expédition attachée au transformateur pour faciliter le déplacement de l'unité vers son emplacement d'installation définitif.
2. S'assurer que la plaque signalétique corresponde à la description des plans d'agencement du bâtiment (kVA, tensions primaire et secondaire, etc.). Voir la figure 13.

Figure 13 : Exemple de plaque signalétique

		DRY TYPE DISTRIBUTION TRANSFORMER																																	
CAT. NO. : EX150T3H STYLE NO. : NHA1133203 SERIAL NO. : 006500502491 DATE CODE : 1523		KVA : 150 PHASE : 3 FREQ. : 60 % IZ : 4.1	PRI (H) VOLTS : 480 SEC (X) VOLTS : 208Y/120 PRI (H) AMPS : 180.42 SEC (X) AMPS : 416.36																																
WEIGHT : 1166 LBS. ENCL : 22K TYPE 2, TYPE 3R WHEN 7400WS22K INSTALLED TO BE IN ACCORDANCE WITH THE NATIONAL ELECTRIC CODE, ARTICLE 450.9, AND UL 1561, MAINTAIN MINIMUM CLEARANCE OF 0.5 INCH TO WALL OR OTHER OBSTRUCTIONS.		TYPE : SO INS CLASS : 220 °C EFFICIENCY : 98.83% @ 35% LOAD & 75 DEG C MEETS FINAL RULE U.S. 10 CFR 431 APR 2013	RISE : 150 °C AMB : 40 °C																																
		BASIC MODEL NO. : 065EX150T480D208Y2A-001																																	
		<table border="1"> <thead> <tr> <th colspan="2">TAP POSITIONS</th> <th>TAP</th> <th>VOLTS</th> </tr> </thead> <tbody> <tr> <td>7</td> <td>6</td> <td>1</td> <td>502</td> </tr> <tr> <td></td> <td></td> <td>2</td> <td>491</td> </tr> <tr> <td>4</td> <td>3</td> <td>3</td> <td>480</td> </tr> <tr> <td></td> <td></td> <td>4</td> <td>469</td> </tr> <tr> <td></td> <td>2</td> <td>5</td> <td>458</td> </tr> <tr> <td></td> <td></td> <td>6</td> <td>442</td> </tr> <tr> <td>1</td> <td></td> <td>7</td> <td>431</td> </tr> </tbody> </table>		TAP POSITIONS		TAP	VOLTS	7	6	1	502			2	491	4	3	3	480			4	469		2	5	458			6	442	1		7	431
TAP POSITIONS		TAP	VOLTS																																
7	6	1	502																																
		2	491																																
4	3	3	480																																
		4	469																																
	2	5	458																																
		6	442																																
1		7	431																																
		 POWER TRANSFORMER 127 H INS SYS. : 65PDG220-1																																	
RWN		MADE IN THE U.S.A.																																	

3. Placer l'unité en fonction du plan d'agencement du bâtiment.
4. Vérifier si l'environnement convient au type d'armoire.
5. S'assurer que l'emplacement est facilement accessible au personnel qualifié (selon le NEC 450.13 - É.-U.). Les unités placées en plein air peuvent être montées sur des murs, des colonnes ou encore fixées à des structures.
6. Assurer une ventilation adéquate car il est essentiel que les transformateurs reçoivent une ventilation fraîche correcte. Se reporter au code national de l'électricité (NEC®- É.-U.), article 450.
 - La distance minimale est marquée sur la plaque signalétique (NEC 450.9 – É.-U.). Voir la figure 14 à la page 20.
 - La distance minimale varie selon le type d'armoire. Voir le plan approuvé de Schneider Electric pour la distance minimale.
 - De l'air propre, sec, est désirable.
 - De l'air filtré peut réduire l'entretien si l'emplacement du transformateur présente un problème.

Figure 14 : Distance minimale marquée sur la plaque signalétique (NEC 450.9 – É.-U.)



7. Monter les accessoires avant d'installer le transformateur en cas d'utilisation d'un montage sur un mur ou plafond (trapèze).
 - a. Noter les emplacements des quatre trous de montage à la base de chaque armoire.
 - b. Trouver les dimensions réelles sur les plans approuvés de Schneider Electric.
 - c. Fixer les unités en suivant l'une des deux méthodes de montage : sans supports de montage au sol (figures 15, 16 et 17 à la page 21) ou avec supports de montage au sol (figures 18 et 19 à la page 21).
8. Placer le transformateur à son emplacement définitif.

Figure 15 : Montage : Armoires de types D, H, K et E

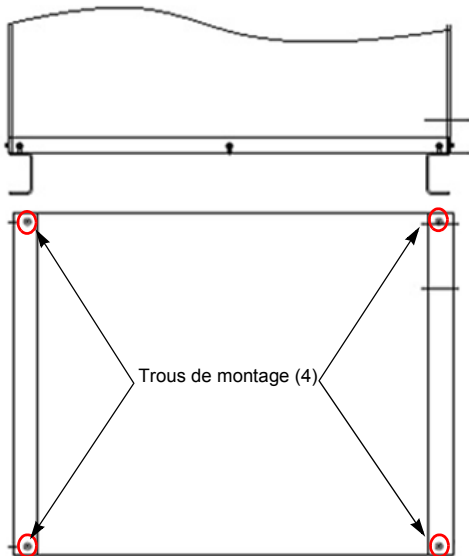


Figure 16 : Armoires D, H, K et E

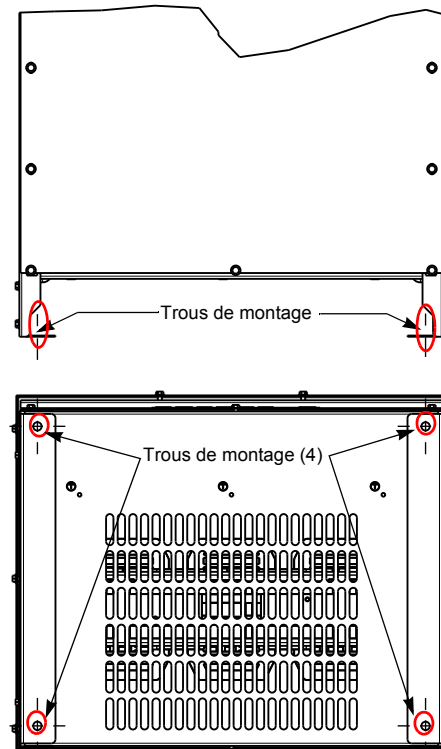
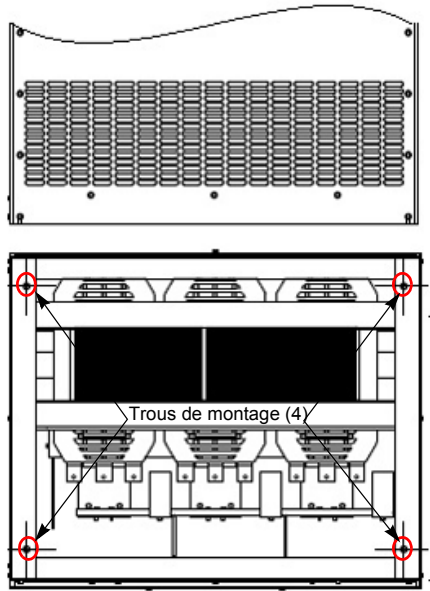


Figure 17 : Montage de l'armoire de type J :
Ventilée



Unités à ne pas utiliser sur un sol combustible (fond ouvert)

Figure 18 : Support de montage au sol Armoire de type K

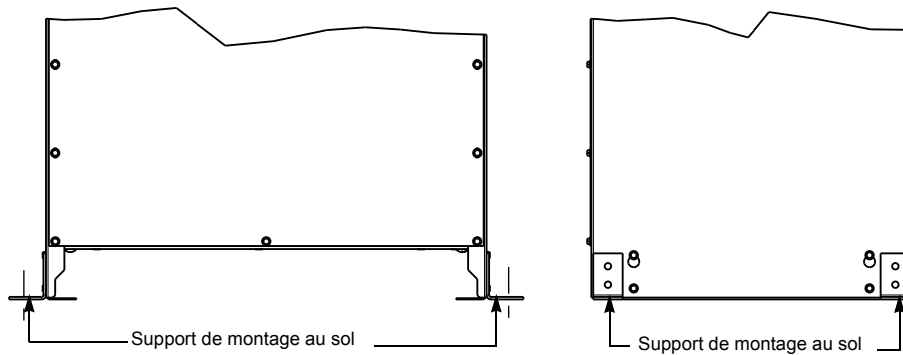
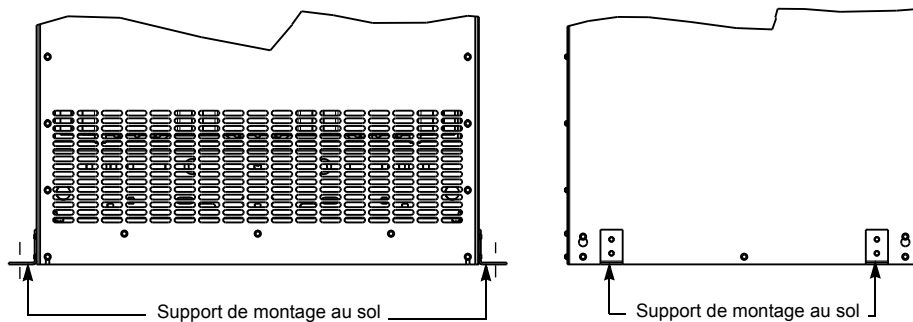


Figure 19 : Support de montage au sol Armoire de type K



FRANÇAIS

Tous les types d'armoires (D, E, F, H, K et J)

- Transformateurs installés à l'intérieur (types D, E, F, H, K et J) :
 - Complètement sous armoire ou complètement sous armoire avec ouvertures de ventilation; conforme à NEC 450.21 (É.-U.) (A), exception
 - Unités de plus de 112,5 kVA
 - Possèdent des systèmes d'isolation pour 220 °C (428 °F) ou 200 °C (392 °F); conforme à NEC 450.21 (É.-U.) (B), exception N° 2

Voir la figure 20.

Figure 20 : Transformateurs installés à l'intérieur : NEC 450.21 (É.-U.), exceptions A ou B de l'exemple de plaque signalétique

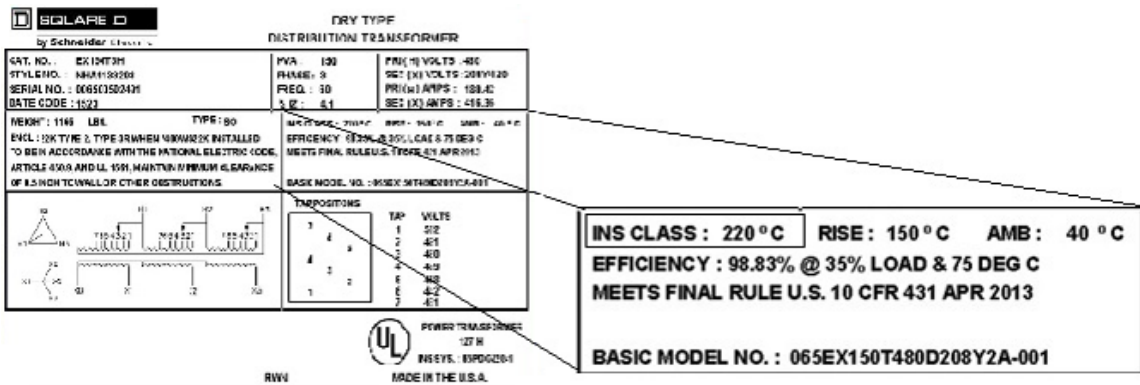


Tableau 1 : Dégagements de l'armoire

Type d'armoire	Dégagement avant	Dégagement latéral (po / mm)	Dégagement arrière (po / mm)
D	Le dégagement de travail pour tous les types varie fortement en fonction de la tension et de l'application spécifique. Consulter l'article 110.26 du NEC (É.-U.).	0,50 / 12,7	Type EE – 3 / 76,2
H			Tous les autres types – 6 / 152
E			3 / 76,2
K			3 / 76,2
J			0,50 / 12,7
F			0,50 / 12,7
			12 / 305

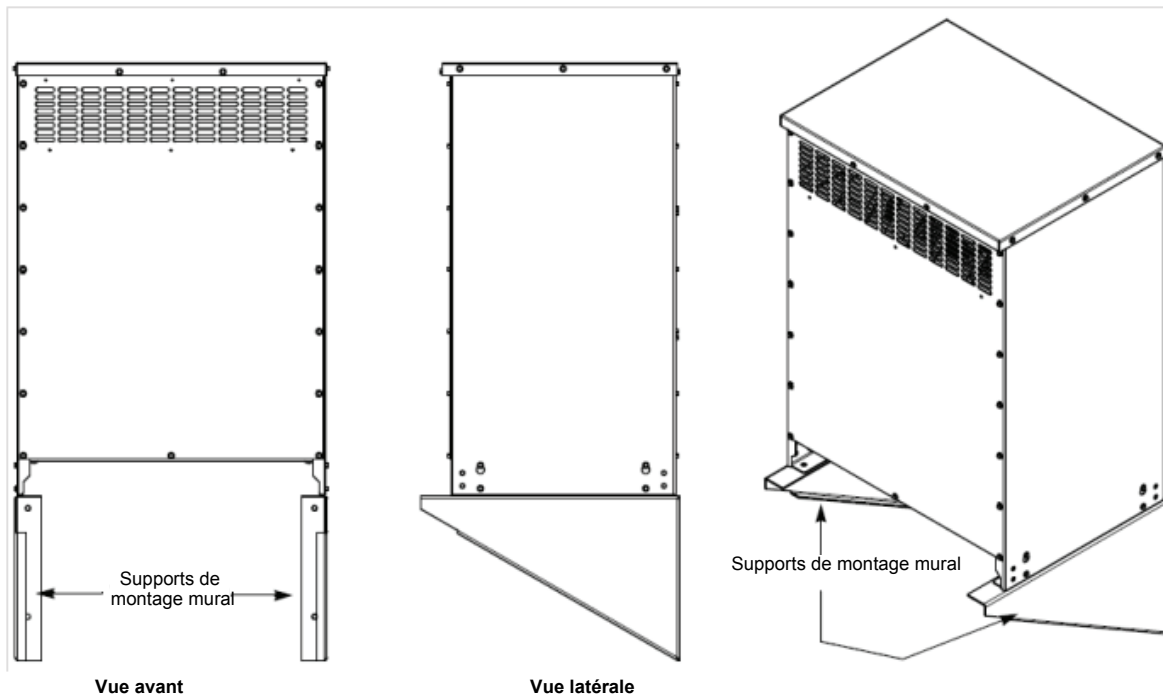
Le montage des transformateurs peut être converti de « au sol » à « mural » (voir le tableau 2 ci-après et la figure 21 à la page 21) ou de « au sol » à « trapèze » (voir le tableau 3 et la figure 22 à la page 22) à l'aide des kits disponibles de l'usine. Les kits sont pré-poinçonnés pour assurer l'alignement avec les trous de montage de l'armoire et, après l'installation du transformateur, pour maintenir le dégagement minimum des unités. Le nouveau support de montage mural de type K permet des dégagements de 6 po (152 mm) et 3 po (76 mm), tous les autres types exigent un dégagement de 6 po (152 mm).

Les kits d'usine ne comprennent pas la quincaillerie, laquelle doit être fournie par le client. La quincaillerie comprend la tige filetée pour le montage des transformateurs avec trapèze. Le concepteur responsable doit déterminer la taille et le choix des ancrs et de la quincaillerie du fait de la grande diversité des matériaux et techniques de construction. Schneider Electric ne peut pas donner de conseils sur l'ancrage, le montage mural ou la taille des tiges pour le montage avec trapèze.

Tableau 2 : Conversion de montage au sol à montage mural
(à l'aide de kits d'usine)

Type d'armoire	Numéro de l'armoire	Poids maximum (lb / kg)
D	17 – 20	700 / 317
H	17 – 18	700 / 317
E	17 – 20	700 / 317
K	17 – 20	850 / 386

Figure 21 : Transformateur à montage mural

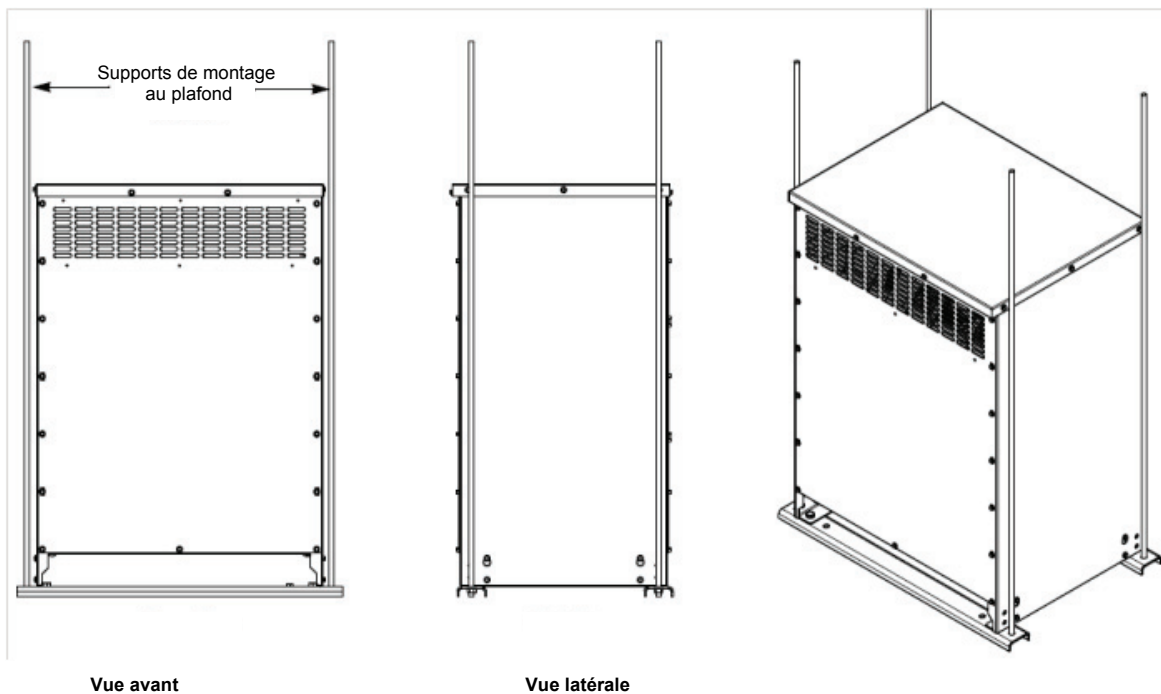


FRANÇAIS

Tableau 3 : Conversion de montage au sol à montage avec trapèze (au plafond) (à l'aide de kits d'usine)

Type d'armoire	Numéro de l'armoire	Poids maximum (lb / kg)
D	17 – 24	1200 / 544
H	17 – 18	1200 / 544
E	17 – 22	1200 / 544
K	17 – 22	1200 / 544

Figure 22 : Transformateur à montage avec trapèze (au plafond)



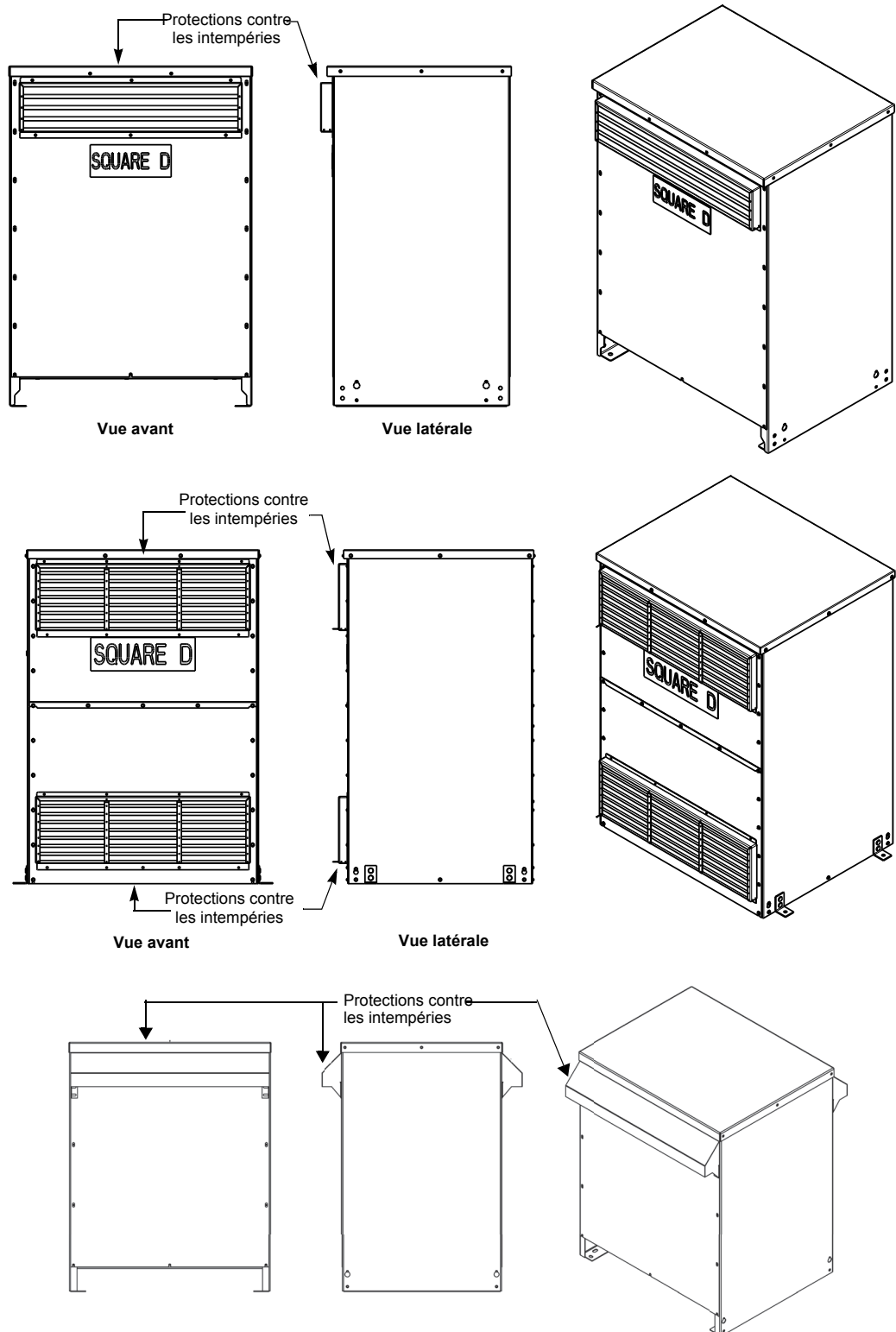
Vue avant

Vue latérale

Les armoires D, E, H, K et J peuvent être converties en type 3R à l'aide de kits installés sur place. Voir la figure 23 à la page 25.

Armoire de type F – doit faire l'objet d'une commande à l'usine si installée à l'extérieur.

Figure 23 : Kits d'armoire de type 3R



Mise à la terre

1. Mettre à la terre de façon permanente et adéquate l'armoire et l'assemblage du noyau des transformateurs de type sec conformément aux exigences du NEC (É.-U).
 - Les enroulements peuvent être mis à la terre en tenant compte des conditions locales et conformément au NEC (É.-U).
 - Le bornier de m.à.l.t. doit être inscrit UL pour cette fin.
 - Conformément à NEC 450.10 (É.-U.), le bornier doit être fixé à l'armoire conformément à NEC 250.12 (É.-U.) et ne doit pas être installé sur ni par-dessus des ouvertures de ventilation.
2. Raccorder le transformateur, les accessoires et composants connexes à la terre conformément à NFPA 70 (NEC – É.-U.).
3. Terminer tous les conducteurs de m.à.l.t. et de mise à la masse au point commun de m.à.l.t. de l'appareil sur l'armoire.
4. Enlever la peinture de la zone sur laquelle le bornier de m.à.l.t. doit être monté afin d'augmenter le contact avec les pièces de l'armoire.
 - Armoires de types D, E et H : Un endroit est disponible à la base du transformateur pour percer et monter le bornier de m.à.l.t.
 - Armoire de type K : Trois trous pré-perçés sont poinçonnés avec le symbole de terre pour le montage du bornier de m.à.l.t.
 - Armoire de type J : Deux trous pré-perçés sont poinçonnés avec le symbole de terre pour le montage du bornier de m.à.l.t.

Les kits de cosses secondaires de la marque Square D comprennent un bornier de m.à.l.t. à quatre conducteurs. Le bornier peut être également obtenu de Schneider Electric comme dispositif séparé. Se reporter au tableau 6 à la page 48 et voir la figure 24.

Figure 24 : Bornier de m.à.l.t. à quatre conducteurs



Qualifications sismiques

Les limites sismiques pour les transformateurs de type sec basse tension sont obtenues à la suite des résultats d'essais sur table de secousses à trois axes, menés conformément au protocole d'essai AC156. Les certifications sont basées sur l'emplacement d'installation des unités et les codes du bâtiment régissant l'installation.

Les résultats des codes du bâtiment sont disponibles pour CBC 2001, CBC 2007, CBC 2010, IBC 2000, IBC 2003, IBC 2006, IBC 2009, NBC 2005, NBCC 2005, NBCC 2010, NFPA 5000, UBC 94, CBC 95, UBC97 et UFC 3-310-04.

Contactez le distributeur local de Schneider Electric ou appelez le 1-888-778-2733 (É.-U.) pour obtenir le niveau spécifique de Sds, z/h et Ip pour chaque type d'armoire.

Les niveaux fournis sont basés sur les unités que seront montées et les notes sur les plans d'approbation de chaque numéro de pièce. Des plans sont disponibles qui comprennent les dimensions de montage, les dimensions des trous de montage, les dimensions hors-tout, le poids des unités et l'emplacement approximatif du centre de gravité pour aider à la qualification sismique. Contactez le distributeur local de Schneider Electric ou appelez le 1-888-778-2733 pour obtenir ces plans.

D'autres personnes sont responsables de fournir les détails des exigences de raccordement et d'ancrage des appareils (y compris le système d'entrave latérale, le cas échéant) pour l'installation du transformateur. L'installateur et les fabricants des systèmes d'ancrage et d'entraves latérales ont la responsabilité d'assurer que les exigences de montage soient respectées.

Contrôle des bruits/vibrations

Le transformateur a été conçu de façon à minimiser le niveau du bruit audible produit. Des coussinets isolants sont fixés entre le support de montage du transformateur et l'armoire à l'aide de boulons et d'écrous. La quincaillerie de montage est serrée avant l'expédition pour éviter tout endommagement.

Desserrer l'écrou d'un tour complet pour faire flotter le transformateur sur les coussinets isolants, isolant ainsi le transformateur de l'armoire. Cela réduira les niveaux de bruits audibles encore davantage. Voir les figures 25 et 26.

Figure 25 : Étiquette de desserrage des écrous d'un tour complet (quatre endroits)

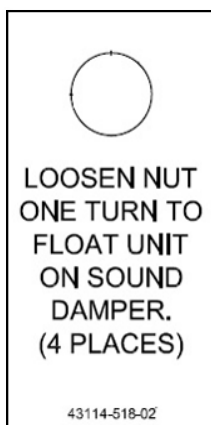
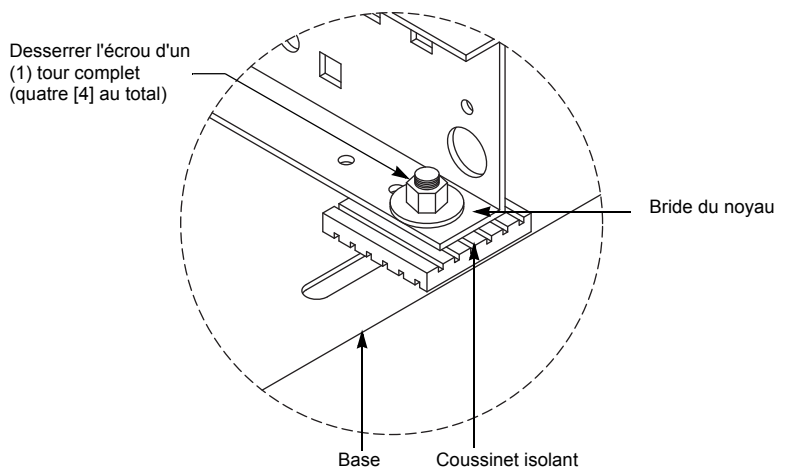


Figure 26 : Flottaison du transformateur sur les coussinets isolants/amortisseurs de sons



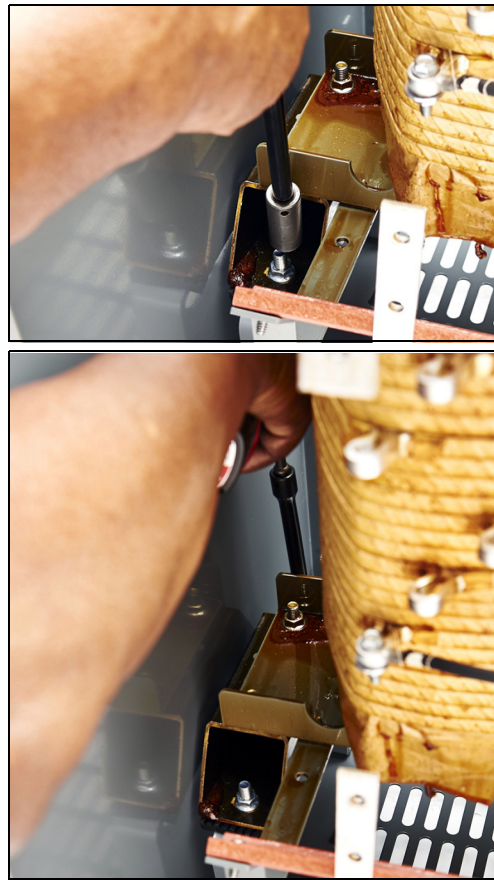
De plus, l'endroit où se trouve le transformateur peut affecter le niveau sonore :

- ❑ Essayer d'éviter d'installer le transformateur dans un coin, dans un couloir étroit ou dans un endroit muni de surfaces lisses. Procéder ainsi peut causer la réflexion et l'amplification du bruit.
- ❑ Attacher fermement les panneaux de l'armoire. Des panneaux lâches peuvent s'entrechoquer, augmentant encore le bruit produit.
- ❑ Utiliser des conduits flexibles, si possible.
- ❑ S'assurer que le type de la structure sur laquelle le transformateur est monté est suffisamment solide pour supporter le poids du transformateur.

Armoire de type K

Les boulons de l'armoire de type K sont accessibles par l'avant avec un prolongateur. Voir la figure 27.

Figure 27 : Armoire de type K : Boulons accessibles par l'avant du transformateur



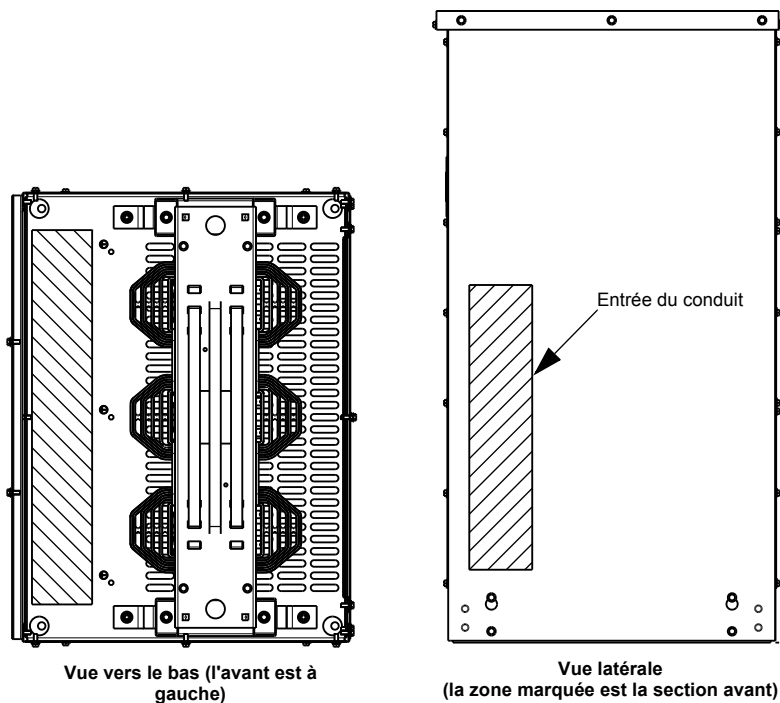
Armoires de types D, E, H et J

Les boulons des armoires de types D, E, H et J sont accessibles par l'avant. Voir la figure 26 à la page 27 pour l'accès de ces armoires.

Raccordements électriques

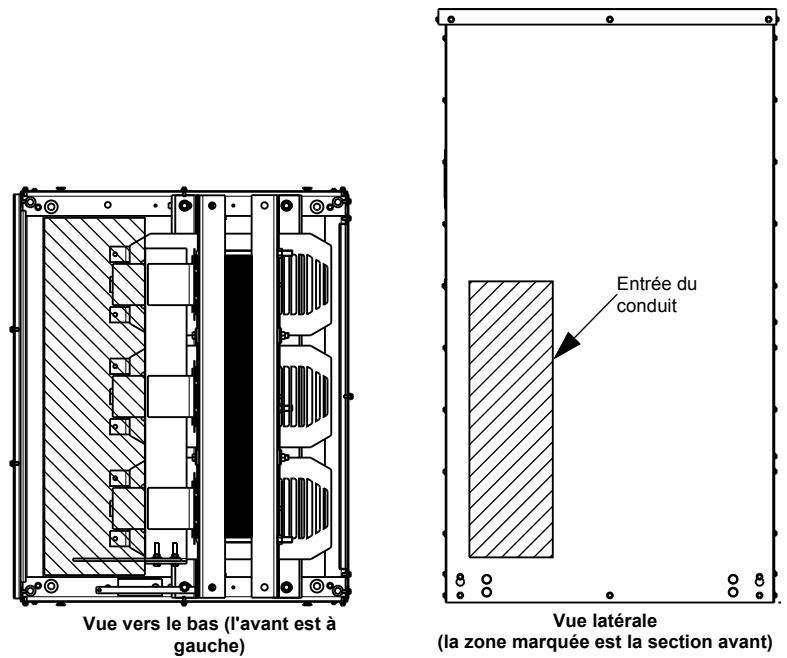
- ❑ Utiliser des canalisations, conduits et connecteurs flexibles, autant que possible, comme accessoires pour les armoires de transformateurs. Cela contribuera à réduire la génération de bruits audibles.
 - ❑ Respecter NFPA 70 (NEC - É.-U.) et les exigences d'espace de courbure des fils pour l'armoire du transformateur. Comme norme de l'industrie, grouper ensemble les conducteurs de phase, de neutre et de m.à.l.t. de l'appareil associés dans l'armoire du transformateur.
 - ❑ Toujours utiliser une clé dynamométrique étalonnée pour serrer les connecteurs et bornes électriques. Pour toute directive supplémentaire, consulter la norme UL468A.
 - ❑ S'assurer que les canalisations, conduits et connecteurs entrent dans l'armoire uniquement dans la zone indiquée sur les plans. Les points d'accès pour chaque type d'armoire sont indiqués ci-dessous :
- Armoire de type D : (Voir la figure 28)
 - Section avant du transformateur
 - Accès latéral et par le bas
 - Armoire de type E : (Voir la figure 28)
 - Section avant du transformateur
 - Accès latéral et par le bas
 - Armoire de type H : (Voir la figure 28)
 - Section avant du transformateur
 - Accès latéral et par le bas
 - Armoire de type K : (Voir la figure 28)
 - Section avant du transformateur
 - Accès latéral et par le bas

Figure 28 : Point d'accès : Armoires de types D, E, H et K



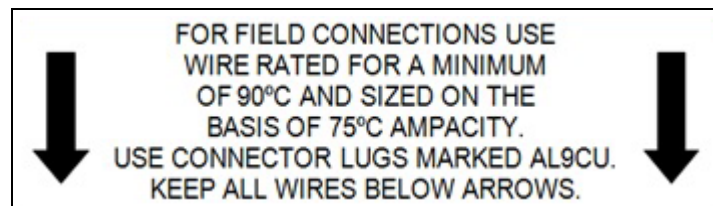
- Armoire de type F :
 - Section inférieure du transformateur
 - Des chambres d'appel d'air sont offertes si un accès latéral est nécessaire
- Armoire de type J : (Voir la figure 29)
 - Section avant du transformateur
 - Accès latéral
 - Accès ouvert par le bas, à l'avant, vers les brides du noyau

Figure 29 : Point d'accès : Armoire de type J :



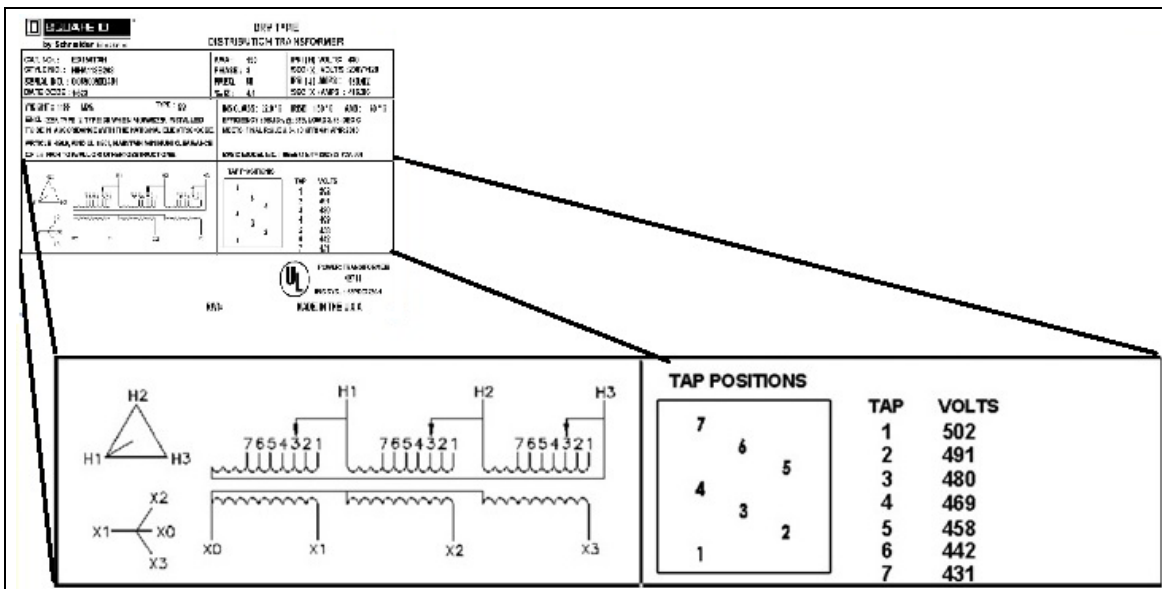
- Garder les points d'accès sous la carte des bornes supérieure afin d'empêcher la chaleur de sortir par les canalisations, les conduits et les connecteurs. L'auto-collant indiquera cet emplacement supérieur sur tous les types d'armoires (indiqué également sur les plans). Voir la figure 30.

Figure 30 : Étiquette pour montrer l'emplacement supérieur sur les armoires (points d'accès sous la carte de bornes supérieure)



- ❑ S'assurer que l'accès latéral soit conforme à NEC 312.6 (A) (É.-U.) : Courbure minimale des fils aux bornes . L'accès par le bas doit être conforme à NEC 312.6 (B) (É.-U.) : Espace minimum de courbure des fils aux bornes.
- ❑ Observer UL 1561 qui exige que toutes les cosses conviennent à 90 °C (194 °F). De plus, le tableau nominal des températures des conducteurs doit être de 75 °C (167 °F) pour que le calibre satisfasse aux exigences de courant du dispositif de protection contre les surintensités et aux courants de la plaque signalétique. Se reporter au tableau 5 à la page 46, au tableau 6 à la page 48 et au tableau 7 à la page 49 pour une liste des kits de cosses de Square D, calibres de fils par kVA et systèmes de tension américains.
- ❑ S'assurer que la surface de contact soit propre. Cela réduira au minimum la possibilité d'un contact haute résistance qui pourrait entraîner une chaleur localisée et une possibilité de panne prématurée. Se reporter à Raccordements et surfaces de contact à la page 40 pour les directives d'application d'un composé électrique approuvé.
- ❑ Raccorder les phases aux bornes appropriées pour obtenir une rotation correcte du moteur. Le schéma des phases est indiqué sur la plaque signalétique. La plaque signalétique indique également les emplacements des prises et la tension nominale de chacune d'elles. Voir la figure 31.

Figure 31 : Schéma des phases, emplacements des prises et tension nominale marqués sur la plaque signalétique



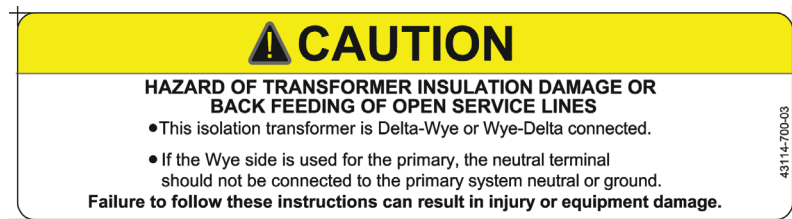
FRANÇAIS

- ❑ Le raccordement de la source d'alimentation au secondaire du transformateur est autorisé par NEC 450.11 (É.-U.) là où l'installation est conforme aux directives du fabricant.

Lorsque la source d'alimentation est raccordée au secondaire du transformateur, le courant d'appel augmente. Le dispositif de protection contre les surintensités doit être choisi selon NEC 450.3(B) (É.-U.) en utilisant la marge de tolérance de 250 % de façon à réduire la possibilité de déclenchement intempestif pendant la mise sous tension. Une protection du secondaire contre les surintensités sera requise.

Ne faire aucun raccordement aux bornes HO ou XO du côté alimentation d'un enroulement de transformateur configuré en étoile. Voir la figure 32.

Figure 32 : Étiquette d'attention pour les transformateurs raccordés triangle-étoile ou étoile-triangle



Vérifications et essais avant la mise en service/mise sous tension

Nettoyage

1. S'assurer que tout le matériau d'emballage a été retiré, y compris tout matériau d'emballage utilisé à l'intérieur de l'armoire du transformateur employé pour supporter et protéger l'unité au cours de l'expédition.
2. Passer l'aspirateur pour supprimer autant de poussière que possible. La poussière agit comme un matériau isolant thermique qui augmentera la température de l'unité et pourrait peut-être réduire sa durée de vie utile. Se reporter à la section Nettoyage à la page 40.

Vérifications visuelles et mécaniques

Effectuer les vérifications visuelles et mécaniques suivantes indiquées ci-dessous. De plus, se reporter à Exécution de vérifications visuelles et mécaniques à la page 39 pour une liste détaillée de directives.

- Inspecter visuellement le transformateur pour détecter tout endommagement physique éventuel. Réparer tout endommagement physique, si possible et fournir des plaques de protection adéquates pour éviter tout endommagement futur.
- Comparer les renseignements de la plaque signalétique du transformateur avec les plans ou spécifications pour l'installation.
- Vérifier si le raccordement des prises est correct et conforme aux renseignements de la plaque signalétique.
- Vérifier la distance d'isolement de tous les raccordements électriques. Vérifier le serrage de tous les raccordements avec une clé dynamométrique étalonnée.
- S'assurer visuellement de la mise à la terre correcte du noyau, du châssis, de l'armoire, des conduits, canalisations et conducteurs. Se reporter à la section Mise à la terre et à la masse à la page 42.

Essais électriques

⚠ DANGER

RISQUE D'ÉLECTROCUTION, D'EXPLOSION OU ÉCLAIR D'ARC ÉLECTRIQUE

- Portez un équipement de protection personnelle (ÉPP) approprié et observez les méthodes de travail électrique sécuritaire. Voir NFPA 70E, NOM-029-STPS-2011 ou CSA Z462.
- Seul un personnel qualifié doit effectuer l'installation et l'entretien de cet appareil.
- N'entreprenez ce travail qu'après avoir lu et compris toutes les explications contenues dans ces directives.
- Coupez toutes les alimentations à cet appareil avant d'y travailler.
- Utilisez toujours un dispositif de détection de tension à valeur nominale appropriée pour vous assurer que l'alimentation est coupée.
- Observez toujours toutes les procédures d'interverrouillage et d'étiquetage selon la réglementation OSHA.
- Inspectez soigneusement la zone de travail et enlevez tous les outils et objets laissés à l'intérieur de l'appareil.
- Remplacez tous les dispositifs, les portes et les couvercles avant de mettre l'appareil sous tension.
- Les explications données dans ces directives présument que le client a pris ces mesures avant d'effectuer un entretien ou des essais.

Si ces directives ne sont pas respectées, cela entraînera la mort ou des blessures graves.

Se reporter à Entretien à la page 39 pour effectuer les essais électriques suivants avant la mise en service :

- Mesurer la résistance des contacts à l'aide d'un ohmmètre à faible résistance. Se reporter à la section Résistance des contacts à la page 41.
- Effectuer des essais de résistance de l'isolation avec un dispositif approprié. Se reporter à la section Résistance de l'isolation à la page 41.
- Effectuer un essai du rapport de transformation sur toutes les prises et sur les pleines tensions des enroulements pour chaque phase. Se reporter à la section Rapport des spires à la page 42.
- Mesurer et prendre note des résistances des enroulements sur les transformateurs plus grands (>500 kVA). Se reporter à la section Résistance des enroulements à la page 42.

Section 5—Fonctionnement

⚠ DANGER

RISQUE D'ÉLECTROCUTION, D'EXPLOSION OU ÉCLAIR D'ARC ÉLECTRIQUE

- Portez un équipement de protection personnelle (ÉPP) approprié et observez les méthodes de travail électrique sécuritaire. Voir NFPA 70E, NOM-029-STPS-2011 et CSA Z462.
- Seul un personnel qualifié doit effectuer l'installation et l'entretien de cet appareil.
- N'entreprenez ce travail qu'après avoir lu et compris toutes les explications contenues dans ces directives.
- Coupez toutes les alimentations à cet appareil avant d'y travailler.
- Utilisez toujours un dispositif de détection de tension à valeur nominale appropriée pour vous assurer que l'alimentation est coupée.
- Avant d'effectuer des inspections visuelles, des essais ou des procédures d'entretien sur cet appareil, déconnectez toutes les sources d'alimentation. Présumez que tous les circuits sont sous tension tant qu'ils n'ont pas été complètement mis hors tension, vérifiés et étiquetés. Faites particulièrement attention à l'agencement du système d'alimentation. Considérez toutes les sources d'alimentation, y compris la possibilité de rétro-alimentation.
- Observez toujours toutes les procédures d'interverrouillage et d'étiquetage selon la réglementation OSHA.
- Inspectez soigneusement la zone de travail et enlevez tous les outils et objets laissés à l'intérieur de l'appareil.
- Remplacez tous les dispositifs, les portes et les couvercles avant de mettre l'appareil sous tension.
- Les explications données dans ces directives présument que le client a pris ces mesures avant d'effectuer un entretien ou des essais.

Si ces directives ne sont pas respectées, cela entraînera la mort ou des blessures graves.

Effets de l'humidité

Le procédé de vernissage par plongée ou bain ne supporte pas la croissance de moisissures. Le seul souci lorsque les unités sont entreposées dans des endroits à forte humidité est de préserver l'intégrité du matériau isolant. Si les unités sont correctement entretenues et nettoyées à leur arrêt avant de longues périodes hors tension, il ne devrait se présenter aucun problème de moisissure.

Lorsque le transformateur est sous tension, l'humidité a peu d'importance. Toutefois, observer les précautions énumérées ci-après si le transformateur est mis hors tension, est laissé se refroidir à la température ambiante et est maintenu à l'arrêt pendant plus de 12 heures (en particulier dans des conditions de forte humidité).

1. Placer des petits éléments de chauffage internes au bas de l'unité peu après sa mise à l'arrêt afin de maintenir sa température à quelques degrés au-dessus de celle de l'air environnant.
2. Inspecter l'unité pour s'assurer qu'il n'existe pas de trace d'humidité avant de la remettre en service.

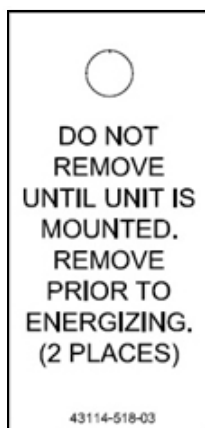
3. Vérifier la résistance de l'isolation. Si une présence évidente d'humidité existe ou si la résistance de l'isolation est inférieure à 1 mégohm, faire sécher le transformateur en le plaçant dans un four ou en soufflant de l'air chaud dessus.

Température de l'armoire

L'échauffement sur l'extérieur de l'armoire pour des transformateurs ventilés ne doit pas dépasser 50°C (122°F), sauf dans les cas indiqués dans la norme UL 1561.

Avant de mettre les transformateurs sous tension

Figure 33 : Retrait des attaches temporaires



1. Enlever toutes les attaches temporaires. Voir la figure 33.
2. Vérifier les raccordements électriques boulonnés. Se reporter à Raccordements électriques à la page 29 pour une liste de vérifications détaillée.
3. Retirer les accumulations excessives d'encrassement des enroulements du transformateur et des isolateurs afin de permettre la libre circulation de l'air et d'assurer une protection contre des possibilités de rupture de l'isolation. Se reporter à Nettoyage à la page 40 pour une liste de vérifications détaillée.
4. Effectuer des essais de résistance de l'isolation avec un dispositif approprié. Pour les directives détaillées, se reporter à la section Résistance de l'isolation à la page 41.
5. Effectuer une vérification visuelle et mécanique du transformateur et de son environnement immédiat. Se reporter à Exécution de vérifications visuelles et mécaniques à la page 39 pour une liste de vérifications détaillée.

Mise sous tension du transformateur

1. Observer toutes les mesures et exigences de sécurité pour l'ÉPP comme précisé dans NFPA 70E et tous autres codes ou normes en vigueur.
 - a. Mettre immédiatement le transformateur hors tension s'il y a une indication de formation d'arc (visuelle ou audible) à tout moment durant la mise en service initiale.
 - b. Rechercher et corriger la cause de la formation d'arc avant de remettre l'unité sous tension.
2. Rechercher et corriger les sources de bruit excessif. Lorsqu'il est sous tension, le transformateur fait un peu de bruit audible. Un bruit mécanique excessif, des hésitations ou cliquetis peuvent être une indication de quinaillerie ou de pièces de l'armoire mal installées ou insuffisamment serrées.
3. Mesurer et vérifier les tensions primaires et secondaires phase-phase et phase-terre pour tous les enroulements.
 - a. Là où cela s'applique, mesurer et vérifier les tensions phase-neutre également.
 - b. Prendre note et conserver les valeurs pour toute référence ultérieure.

REMARQUE : Les mesures phase-phase, phase-terre et phase-neutre vérifieront que le transformateur fonctionne selon les tensions de la plaque signalétique.

- c. Mesurer les tensions phase-terre.
- d. Prendre note et conserver les valeurs pour toute référence ultérieure.

REMARQUE : Les tensions phase-terre vérifieront que l'unité a été installée correctement.

- 4. Déplacer une prise à la fois, ou s'assurer que le cavalier est en place conformément au schéma de câblage comme indiqué sur la plaque signalétique. Voir la figure 31 à la page 31.

REMARQUE : Ne pas modifier les prises lorsque le transformateur est sous tension.

- a. Ajuster au besoin les prises du transformateur pour satisfaire aux exigences de la tension réelle.
 - b. S'assurer que les prises sont nettes de tout vernis ou autre matériau isolant.
- 5. Effectuer une vérification de rotation des phases avec un dispositif approprié pour les charges qui sont sensibles aux phases (par ex., certaines applications de moteurs ou variateurs).
 - a. Suivre les directives du fabricant pour le dispositif.
 - b. Corriger les erreurs de rotation des phases avant de mettre le transformateur sous tension.

Section 6—Entretien

Exécution de vérifications visuelles et mécaniques

⚠ DANGER

RISQUE D'ÉLECTROCUTION, D'EXPLOSION OU ÉCLAIR D'ARC ÉLECTRIQUE

- Seul un personnel qualifié doit nettoyer, inspecter, entretenir et essayer les transformateurs.
- Coupez toutes les alimentations à cet appareil avant d'y travailler.
- Déconnectez et isolez électriquement toute alimentation vers le transformateur afin qu'aucun contact accidentel ne se produise avec des pièces sous tension.
- Déchargez toutes les charges statiques des enroulements.

Si ces directives ne sont pas respectées, cela entraînera la mort ou des blessures graves.

1. Effectuer une inspection visuelle du transformateur et de son environnement immédiat.
 - a. Inspecter l'armoire pour détecter tout endommagement éventuel.
 - b. Réparer tout endommagement, si possible.
 - c. Prévoir des protections afin d'empêcher tout endommagement futur.
2. Noter les données de fonctionnement alors que le transformateur est encore sous tension et en service.
3. Mettre le transformateur hors tension avant d'entreprendre un travail sur l'unité.
 - a. Observer toutes les mesures de sécurité pour placer l'unité en condition électriquement sans danger.
 - b. Retirer les couvercles d'accès. L'inspecter pour :
 - l'encrassement des surfaces isolantes et des endroits tendant à réduire le débit d'air.
 - des raccordements desserrés.
 - la condition des changeurs de prises ou des borniers.
 - la condition générale du transformateur.
4. Inspecter l'armoire, le transformateur, les bornes, les borniers et les isolateurs pour détecter des signes éventuels de surchauffe à partir de sources internes ou externes. Observer s'il existe des lignes de fuite de tension sur les surfaces isolantes, mises en évidence par des traces de cheminement ou de carbonisation.
5. Vérifier s'il y a présence de rouille, de corrosion et de détérioration de la peinture. Réparer la rouille et la corrosion lorsque nécessaire.

Fréquence

La fréquence des inspections des transformateurs dépend des conditions de fonctionnement.

Dans des endroits propres et secs, des inspections annuelles peuvent suffire. Toutefois, dans d'autres endroits, tels que ceux où l'air est contaminé par des poussières ou des fumées chimiques, une inspection à intervalles de trois ou six mois peut être requise. Habituellement, après les quelques premières périodes d'inspection, un programme défini peut être établi en fonction des conditions existantes pour le transformateur.

Évènements graves, environnementaux ou spéciaux

- ❑ Effectuer des inspections, de l'entretien et des essais de routine après un évènement grave de court-circuit électrique, de défaut à la terre ou un évènement d'environnement (par ex., inondation) pour déterminer l'état opérationnel du transformateur.
- ❑ Effectuer les inspections, l'entretien et les essais si le transformateur est resté longtemps hors service. Placer des éléments de chauffage pour maintenir la température du transformateur au-dessus de la température ambiante afin d'éviter la formation de condensation dans le transformateur pendant un arrêt prolongé.

Nettoyage

Raccordements et surfaces de contact

Une surface de contact propre est nécessaire et les bornes doivent être propres. Lorsque les transformateurs sont installés à l'intérieur ou à l'extérieur, ou encore dans un environnement contraignant, les raccordements doivent être scellés à l'aide d'une pâte à joint électrique approuvée.

Appliquer la pâte sur les raccordements et surfaces exposés avant de faire un raccordement boulonné.

Armoires, enroulements et isolateurs

1. Mettre le transformateur hors tension.
2. Suivre la liste des vérifications ci-après pour permettre une libre circulation d'air et pour se garder de ruptures d'isolation et de problèmes de rendement thermiques :
 - ❑ Nettoyer l'armoire, les enroulements et les isolateurs du transformateur en passant l'aspirateur ou en soufflant de l'air comprimé propre et sec ou de l'azote. S'assurer de porter un équipement de protection personnelle (ÉPP) pendant le nettoyage.
REMARQUE : Passer l'aspirateur est la première étape préférable pour le nettoyage. L'air comprimé doit avoir un point de rosée de $-45,5\text{ }^{\circ}\text{C}$ ($-50\text{ }^{\circ}\text{F}$) ou moins et une pression inférieure ou égale à 25 lb/po^2 .
 - ❑ Nettoyer les supports de conducteurs, changeurs de prises, borniers, manchons et autres surfaces isolantes importantes avec des chiffons non pelucheux ou des brosses de soie souples.
REMARQUE : Ne pas utiliser de liquides, dissolvants ni détergents, car ils pourraient détériorer les matériaux isolants.
 - ❑ Inspecter soigneusement et nettoyer à fond les ouvertures de ventilation (gainés) et les assemblages d'enroulements. Retirer toutes obstructions.
 - ❑ Retirer toutes les ordures ou tous les matériaux combustibles de la zone entourant l'unité.

Exécution d'essais électriques

⚠ DANGER

RISQUE D'ÉLECTROCUTION, D'EXPLOSION OU ÉCLAIR D'ARC ÉLECTRIQUE

- Seul un personnel qualifié doit nettoyer, inspecter, entretenir et essayer les transformateurs.
- Coupez toutes les alimentations à cet appareil avant d'y travailler.
- Déconnectez et isolez électriquement toute alimentation vers le transformateur afin qu'aucun contact accidentel ne se produise avec des pièces sous tension.
- Déchargez toutes les charges statiques des enroulements.

Si ces directives ne sont pas respectées, cela entraînera la mort ou des blessures graves.

Effectuer les essais électriques suivants durant un entretien :

- Vérifier tous les contacts électriques avec une clé dynamométrique étalonnée.
- Vérifier si les écartements sont corrects.
- Consulter les spécifications du fabricant pour les valeurs de couple de serrage.
- Vérifier le serrage de toute la quincaillerie externe.
- Utiliser un ohmmètre à basse résistance pour mesurer la résistance des contacts.
 - a. Comparer les valeurs avec des raccordements similaires en recherchant les points de résistance des contacts extraordinairement élevés.
 - b. Faire une recherche sur les raccordements qui peuvent s'écarter des valeurs communes de plus de 50 % des valeurs les plus basses.
- Un dispositif de balayage infrarouge peut être employé pour détecter des températures anormales aux contacts du transformateur pour les unités sous tension.

REMARQUE : Prendre soin de suivre les procédures du fabricant, car des petites erreurs de fonctionnement du dispositif de balayage peuvent entraîner des erreurs notables de températures détectées.

Résistance des contacts

Résistance de l'isolation

Les vérifications de résistance de l'isolation peuvent créer une charge capacitive sur un enroulement.

1. Mettre chaque enroulement à la terre pendant au moins une minute entre les essais pour écouler toute charge statique créée pendant l'essai.
2. Effectuer des essais de résistance de l'isolation avec un dispositif approprié.
3. Faire des essais d'enroulement à enroulement et d'enroulement à la terre.
4. Noter tous les résultats d'essais à titre de comparaison avec des relevés futurs.
 - Les valeurs dépendent du site d'installation et ne sont pas pré-établies à l'usine. Tous les essais sont conformes à NEMA ST-20.
 - Les relevés de résistance de l'isolation doivent être d'au moins 1 mégohm.

- Des relevés inférieurs peuvent indiquer la présence d'humidité et nécessitent une correction au moyen d'une procédure de séchage.

Résistance des enroulements

Sur des transformateurs plus grands (>500 kVA) :

1. Mesurer les résistances des enroulements et les noter pour référence future.
2. Comparer les résultats avec les valeurs obtenues au cours de vérifications avant la mise en service. Les relevés ne devraient pas varier de plus de 5 % par rapport aux bobines adjacentes et aux vérifications avant la mise en service.
3. Noter la température à laquelle ces premiers relevés ont été pris.
 - Les valeurs dépendent du site d'installation et ne sont pas pré-établies à l'usine. Tous les essais sont conformes à NEMA ST-20.
4. Ajuster les valeurs de résistance en fonction des différences de température entre les relevés actuels et les valeurs avant la mise en service.

Mise à la terre et à la masse

1. S'assurer que les valeurs de résistance entre la cosse (ou le point) de m.à.l.t. du système et l'armoire, le noyau, le châssis et les brides du transformateur sont correctes.
2. Comparer avec les valeurs avant la mise en service, en recherchant les tendances qui peuvent indiquer une détérioration de la qualité de la mise à la masse.

Rapport des spires

1. Effectuer un essai du rapport de transformation sur toutes les prises et sur les pleines tensions des enroulements pour chaque phase. Des changements notables peuvent indiquer une perte de continuité des enroulements.
 - a. Comparer ces valeurs avec celles obtenues durant des vérifications avant la mise en service. Les tensions entre les phases ne doivent pas s'écarter de plus de 0,5 % de celles des bobines adjacentes.
 - b. Faire une recherche sur les relevés anormaux trouvés hors de cette limite.
2. S'assurer que les tensions des entrées et sorties sont correctes pour les tensions des prises et sorties attendues. Faire une recherche sur les relevés anormaux.

Coussinets isolants antibruit

Voir si les coussinets isolants antibruit montrent des signes de détérioration physique.

Conduits de refroidissement des bobines

1. Inspecter tous les conduits de refroidissement des bobines afin de détecter toute accumulation éventuelle de poussière, crasse ou autres obstructions.
2. Suivre les procédures de nettoyage standard pour assurer une circulation d'air appropriée.

Bornes

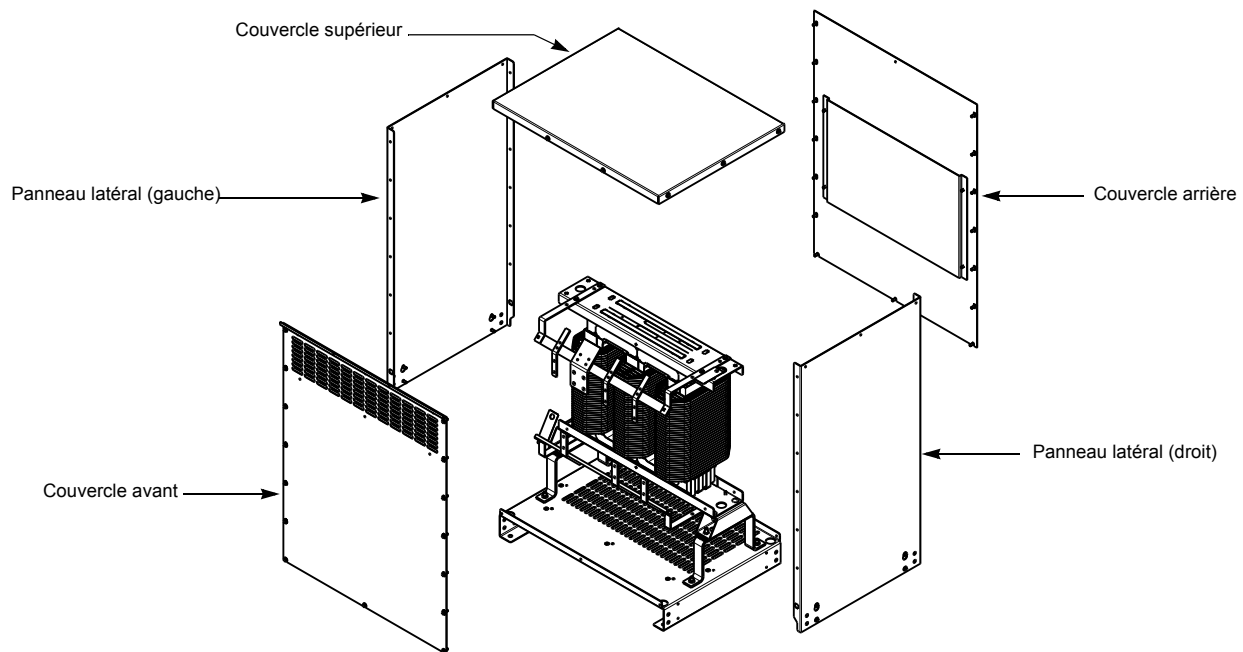
S'assurer que les bornes sont en bon état afin de garantir le bon fonctionnement des transformateurs.

- Inspecter l'alignement, le serrage (voir les exigences de couple de serrage), la pression, les brûlures ou la corrosion des bornes. Rechercher et corriger tous signes d'endommagement.
- Réparer les petites égratignures, dans la mesure où le placage des bornes n'a pas été compromis.

Section 7—Pièces de rechange et accessoires

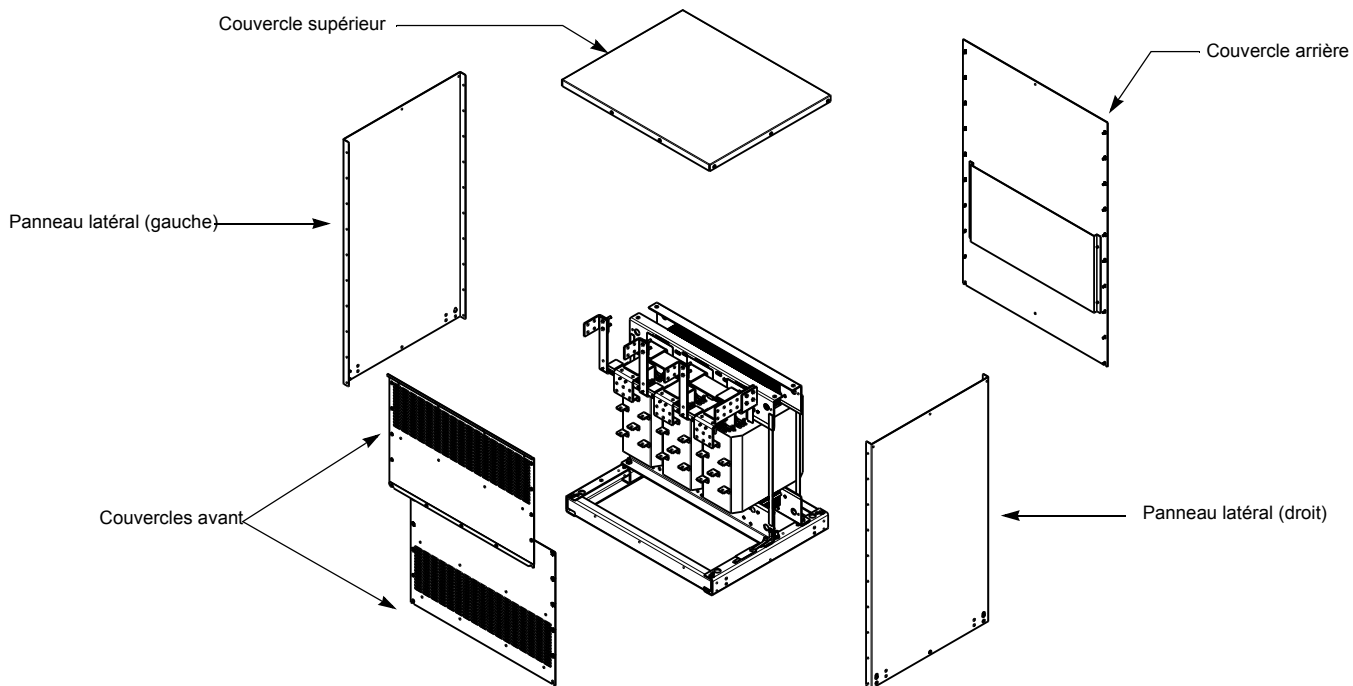
Voir les figures 34 et 35 pour les détails des couvercles de transformateurs (supérieur, arrière et avant) et des panneaux latéraux (de gauche et de droite), et la figure 21 à la page 23 ainsi que la figure 22 à la page 24 pour les supports de montage (mural et au plafond). Consulter le tableau 4 à la page 45 pour la liste des pièces de rechange et accessoires.

Figure 34 : Assemblage éclaté pour le transformateur écoénergétique EX75T3H avec un couvercle avant d'armoire de type 20K



FRANÇAIS

Figure 35 : Assemblage éclaté pour le transformateur écoénergétique EX300T3H avec un couvercle avant d'armoire de type 25J



Se reporter au Digest de Schneider Electric, *Section 14*, Transformateurs ou appeler le 1-888-778-2733 pour commander des pièces de rechange et des accessoires.

Consulter le tableau 4 pour les types d'armoires (couvercles supérieur, arrière et avant), les panneaux latéraux, protections contre les intempéries et supports de montage (mural et au plafond).

Tableau 4 : Couvercles, panneaux latéraux, protections contre les intempéries et supports de montage

Armoire	Couvercle supérieur	Couvercle arrière	Couvercle avant	Panneau latéral (gauche et droite)	Protection contre les intempéries	Support de montage mural	Support de montage au plafond
17D	4310191501	4310191601	4310191601	4310191701	WS363	WMB361362	CMB363
17E	4310191501	—	—	4310191701	—	WMB361362	CMB363
17H	4310191501	4305502003	4305502003	4310191702	WS363	WMB361362	CMB363
17K	7400TC17K	7400R17K	7400FNP17K	7400LR17K	7400WS17K	7400WMB17K	7400CMB17K
18D	4305502101	4305502001	4305502001	4305501001	WS363	WMB363364	CMB363
18E	4305502101	—	—	4305501001	—	WMB363364	CMB363
18H	4305502101	4305502003	4305502003	4310179701	WS363	WMB363364	CMB363
18K	7400TC18K	7400R18K	7400FNP18K	7400LR18K	7400WS18K	7400WMB18K	7400CMB18K
19D	4305501201	4305501101	4305501101	4305501001	WS364	WMB363364	CMB364
19E	—	—	—	—	—	—	—
19K	7400TC19K	7400R19K	7400FNP19K	7400LR19K	7400WS19K	7400WMB19K	7400CMB19K
20D	4305501201	4310192201	4310192201	4310179701	WS364	WMB363364	CMB364
20E	4305501201	—	—	4310179701	—	—	—
20K	7400TC20K	7400R20K	7400FNP20K	7400LR20K	7400WS20K	7400WMB20K	7400CMB20K
21D	4305512501	4300507404	4300507404	4305512601	WS364	—	CMB364
21E	4305512501	—	—	4305512601	—	—	CMB364
21K	7400TC21K	7400R21K	7400FNP21K	7400LR21K	7400WS21K	—	7400CMB21K
22D	4310189001	4310189102	4310189102	4310189201	WS380	—	CMB380
22E	4310189001	—	—	4310189201	—	—	CMB380
22K	7400TC22K	7400R22K	7400FNP22K	7400LR22K	7400WS22K	—	7400CMB22K
23E	—	—	—	—	—	—	—
24D	4310190701	4310190802	4310190802	4310190901	WS381	—	CMB381
24E	4310190701	—	—	4310190901	—	—	CMB381
24K	7400TC24K	7400R24K	7400FNP24K	7400LR24K	7400WS24K	—	7400CMB24K
25D	4310189901	4310190001	4310190001	4310190101	WS382	—	—
25E	4310189901	—	—	4310190101	—	—	—
25J	7400TC25J	7400R25J	7400FNP25J	7400LR25J	7400WS25J	—	—
26D	—	—	—	—	—	—	—
28D	—	—	—	—	—	—	—
28E	—	—	—	—	—	—	—
29D	—	—	—	—	—	—	—
30D	4310192601	(U)4310192901 (L)4310193001	(U)4310192901 (L)4310193001	4310192801	WS383	—	—
30E	4310192601	—	—	—	—	—	—
30J	7400TC30J	7400RU30J 7400RL30J	7400FU30J 7400FLNP30J	7400LR30J	7400WS30J	—	—
31D	—	—	—	—	—	—	—
31E	—	—	—	—	—	—	—
31J	7400TC31J	7400RU31J 7400RL31J	7400FU31J 7400FLNP31J	7400LR31J	7400WS31J	—	—

Peinture pour retouche : N° de catalogue PK49SP

FRANÇAIS

Consulter le tableau 5 pour les kits de cosses de transformateur disponibles. Pour obtenir des renseignements supplémentaires concernant les bornes, se reporter à l'étiquette placée sur le dos du panneau avant du transformateur. Voir la figure 36.

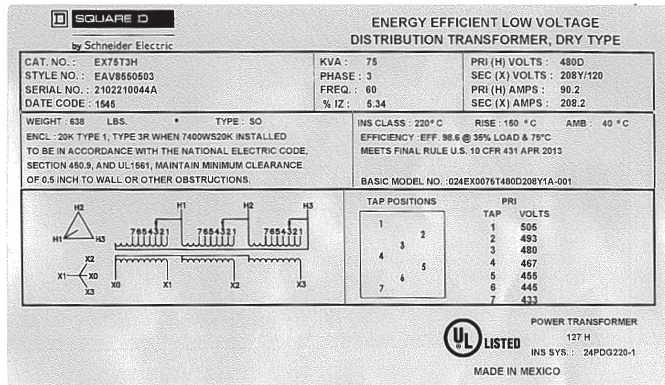
Tableau 5 : Cosses à compression VERSAtile^{MC} et vis de pression mécaniques—cosses inscrites UL AL9CU

Tailles de transformateurs (kVA)	N° de catalogue du kit	Bornes		Aluminium ou Cuivre Gamme des conducteurs (AWG ou kcmil)	Quincaillerie fournie	
		Qté	N° de catalogue		Qté	Vis d'assemblage
Bornes à compression VERSAtile pour l'appareil						
15–37 ^{1/2} 1Ø	VCELSK1	8	VCELO2114S1	N° 8–1/0	8	1/4 po x 1 po
15–45 3Ø		5	VCELO30516H1	N° 4–300 kcmil	1	1/4 po x 2 po
50–75 1Ø	VCELSK2	13	VCELO30516H1	N° 4–300 kcmil	8	1/4 po x 1 po
75–112 ^{1/2} 3Ø					8	1/4 po x 2 po
100–167 1Ø 150–300 3Ø	VCELSK3	3	VCELO30516H1	N° 4–300 kcmil	3	1/4 po x 3/4 po
		26	VCELO7512H1	N° 500 à 750 kcmil Al N° 500 kcmil Cu	16	3/8 po x 2 po
500 3Ø	VCELSK4	34	VCELO7512H1	N° 500 à 750 kcmil Al N° 500 kcmil Cu	21	3/8 po x 2 po

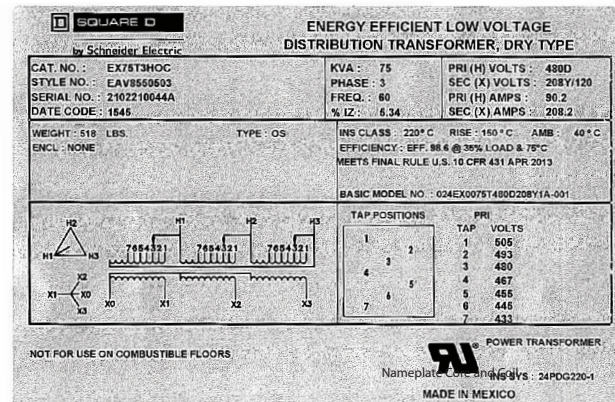
REMARQUE : Consulter la norme UL 486A pour les valeurs de couple à utiliser avec la quincaillerie de raccordement des bornes.

Deux plaques signalétiques sont attachées à chaque unité. Voir la figure 36. Une sur le couvercle avant, requise par les normes, la deuxième plaque signalétique est attachée au noyau et à la bobine, fournissant les renseignements d'installation à l'intérieur de l'unité. La deuxième plaque signalétique comporte en outre une liste UR pour le noyau et la bobine, permettant le retrait de l'armoire et l'installation de dispositifs dans l'appareil.

Figure 36 : Exemple de plaques signalétiques



Attachée au couvercle avant



Attachée au noyau et à la bobine

Consulter le tableau 6 pour les kits de cosses Square D pour les transformateurs de type sec suivants :

- Primaire monophasé, secondaire monophasé, primaire en triangle triphasé, secondaire triphasé
- Primaire et secondaire monophasés, secondaire en étoile triphasé, triangle triphasé avec prise centrale

Tableau 6 : Kits des cosses Square D pour transformateurs de type sec

Numéro de catalogue	Cosses par kit	Calibre de fils	Vis d'assemblage	Gamme de courant	Cosses de mise à la terre par kit	Calibre de fils	Cosses de mise à la masse par kit	Calibre de fils
Primaire monophasé, secondaire monophasé, primaire en triangle triphasé, secondaire triphasé								
DASKP100	3	1/0-14 toronné	1/4 po x 1 po	Jusqu'à 100 A	Non applicable	Non applicable	Non applicable	Non applicable
DASKP250	3	350 kcmil-6 toronné	3/8 po x 2 po	101-250 A				
DASKP400	3	600 kcmil-4 toronné (2) 250 kcmil-1/0 toronné	3/8 po x 2 po	201-400 A				
DASKP600	6	600 kcmil-4 toronné (2) 250 kcmil-1/0 toronné	3/8 po x 2 po	601-800 A.				
DASKP1000	9	600 kcmil-2 toronné	3/8 po x 2 po	601-800 A.				
DASKP1200	12	600 kcmil-2 toronné	3/8 po x 2 po	801-1200 A				
Primaire et secondaire monophasés, secondaire en étoile triphasé, triangle triphasé avec prise centrale								
DASKGS100	5	1/0-14 toronné	1/4 po x 1 po	Jusqu'à 100 A	1	(4) 2/0-14 toronné	1	2-14 toronné
DASKGS250	5	350 kcmil-6 toronné	3/8 po x 2 po	101-250 A	1	(4) 2/0-14 toronné	1	2-14 toronné
DASKGS400	5	600 kcmil-4 toronné (2) 250 kcmil-1/0 toronné	3/8 po x 2 po	201-400 A	1	(4) 2/0-14 toronné	1	1/0-14 toronné
DASKGS600	10	600 kcmil-4 toronné (2) 250 kcmil-1/0 toronné	3/8 po x 2 po	601-800 A.	1	(4) 350 kcmil-6 toronné	1	250 kcmil-6 toronné
DASKGS1000	15	600 kcmil-2 toronné	3/8 po x 2 po	601-800 A.	1	(4) 350 kcmil-6 toronné	1	250 kcmil-6 toronné
DASKGS1200	20	600 kcmil-2 toronné	3/8 po x 2 po	801-1200 A	1	(4) 350 kcmil-6 toronné	1	250 kcmil-6 toronné
DASKGS2000	25	600 kcmil-2 toronné	3/8 po x 2 po	1201-2000 A	1	(4) 350 kcmil-6 toronné	1	250 kcmil-6 toronné

REMARQUE : Les cosses ne sont pas fournies avec les unités de transformateurs. Elles doivent être achetées séparément.

Consulter la norme UL 486A pour les valeurs de couple à utiliser avec la quincaillerie de raccordement des bornes.

Consulter le tableau 7 pour les cosses mécaniques et à compression de bornes et leurs calibres de fils appropriés pour les transformateurs de type sec.

REMARQUE : Toutes les bornes permettent l'emploi de cosses à deux trous NEMA.

Tableau 7 : Taille des bornes, cosses mécaniques et à compression et calibres des fils

kVA	300 Volts et au-dessus		Moins de 300 Volts	
	Borne Cosses mécaniques	Borne Cosses à compression	Borne Cosses mécaniques	Borne Cosses à compression
15	2/0–14 AWG	(1) n° 12–10 AWG (1) n° 8–n° 1/0 AWG	2/0–14 AWG	(1) n° 8–n° 1/0 AWG
30	2/0–14 AWG	(1) n° 8–n° 1/0 AWG	350 kcmil–6 AWG	(1) n° 8–n° 1/0 AWG (1) n° 4–300 kcmil (1) 250–350 kcmil
45	2/0–14 AWG 350 kcmil–6 AWG	(1) n° 8–n° 1/0 AWG (1) n° 4–300 kcmil	350 kcmil–6 AWG (1) 600 kcmil–4 AWG ou (2) Égal à 250 kcmil–1/0 AWG	(1) 250–350 kcmil (1) n° 2/0–500 kcmil (2) n° 4–300 kcmil
75	2/0–14 AWG 350 kcmil–6 AWG	(1) n° 8–n° 1/0 AWG (1) n° 4–300 kcmil (1) 250–350 kcmil	(1) 600 kcmil–4 AWG ou (2) Égal à 250 kcmil–1/0 AWG	(2) n° 2/0–500 kcmil (1) 400–600 kcmil AI (2) n° 4–300 kcmil (2) 250–350 kcmil
112,5	350 kcmil–6 AWG (1) 600 kcmil–4 AWG ou (2) Égal à 250 kcmil–1/0 AWG	(1) 250 kcmil–350 kcmil (1) n° 2/0–500 kcmil (2) n° 4–300 kcmil	(2) 350 kcmil–6 AWG (2) 600 kcmil–2 AWG	(3) 250–350 kcmil (3) n° 4–300 kcmil (2) 400–600 kcmil AI
150	(1) 600 kcmil–4 AWG ou (2) Égal à 250 kcmil–1/0 AWG	(1) 250–350 kcmil (2) n° 4–300 kcmil	(3) 350 kcmil–6 AWG (2) 600 kcmil–2 AWG	(3) n° 2/0–500 kcmil (3) n° 4–300 kcmil (3) 400–600 kcmil AI (4) 250–350 kcmil
225	(1) 600 kcmil–2 AWG (2) 600 kcmil–2 AWG	(2) n° 2/0–500 kcmil (2) 400–600 kcmil AI (2) n° 4–300 kcmil	(3) 600 kcmil–2 AWG	(4) n° 4–300 kcmil (4) n° 2/0–500 kcmil
300	(2) 600 kcmil–2 AWG	(3) 250–350 kcmil (3) n° 2/0–500 kcmil (3) 400–600 kcmil AI	(4) 600 kcmil–2 AWG	(6) n° 2/0–500 kcmil (6) 400–600 kcmil AI
500	(3) 600 kcmil–2 AWG	(4) n° 4–300 kcmil (4) n° 2/0–500 kcmil	(6) 600 kcmil–2 AWG	(9) n° 2/0–500 kcmil (9) 400–600 kcmil AI
750	(4) 600 kcmil–2 AWG	(6) n° 2/0–500 kcmil (6) 400–600 kcmil AI	(9) 600 kcmil–2 AWG	(15) n° 2/0–500 kcmil (15) 400–600 kcmil AI

REMARQUE : Toutes les bornes permettent l'emploi de cosses NEMA à deux trous.

Consulter le tableau 8 pour les kits de barres-bus de m.à.l.t. Square D.

Tableau 8 : Kits de barres-bus de m.à.l.t. Square D

N° de catalogue	Cosses de m.à.l.t. par kit	Calibre de fils
DASKGTB100400	1	(4) 2/0–14 toronné
DASKGTB6002000	1	(4) 350 kcmil–6 toronné

Transformateurs de type sec—1000 V et moins
Directives d'utilisation

FRANÇAIS

Schneider Electric Canada, Inc.
5985 McLaughlin Road
Mississauga, ON L5R 1B8 Canada
800-565-6699
www.schneider-electric.ca

Seul un personnel qualifié doit effectuer l'installation, l'utilisation, l'entretien et la maintenance du matériel électrique. Schneider Electric n'assume aucune responsabilité des conséquences éventuelles découlant de l'utilisation de cette documentation.

© 1992–2015 Schneider Electric Tous droits réservés
Schneider Electric et Square D sont des marques commerciales de Schneider Electric Industries SAS ou de ses compagnies affiliées. Toutes les autres marques commerciales utilisées dans ce document sont la propriété de leurs propriétaires respectifs.
43006-850-01 Rév. 02, 11/2015
Remplace 43006-850-01 Rév 01, 12/1992

Transformadores tipo seco 1 000 V y tensiones inferiores Clase 7400

Boletín de instrucciones

43006-850-01

Rev. 02, 11/2015

Conservar para uso futuro.



ESPAÑOL



by Schneider Electric

Categorías de riesgos y símbolos especiales

Asegúrese de leer detenidamente estas instrucciones y realice una inspección visual del equipo para familiarizarse con él antes de instalarlo, hacerlo funcionar o prestarle servicio de mantenimiento. Los siguientes mensajes especiales pueden aparecer en este boletín o en el equipo para advertirle sobre peligros o llamar su atención sobre cierta información que clarifica o simplifica un procedimiento.



La adición de cualquiera de estos símbolos a una etiqueta de seguridad de "Peligro" o "Advertencia" indica la existencia de un peligro eléctrico que podrá causar lesiones personales si no se observan las instrucciones.



Este es el símbolo de alerta de seguridad. Se usa para avisar sobre peligros de lesiones personales. Respete todos los mensajes de seguridad con este símbolo para evitar posibles lesiones o la muerte.

⚠ PELIGRO

PELIGRO indica una situación de peligro inminente que, si no se evita, **podrá** causar la muerte o lesiones serias.

⚠ ADVERTENCIA

ADVERTENCIA indica una situación potencialmente peligrosa que, si no se evita, **puede** causar la muerte o lesiones serias.

⚠ PRECAUCIÓN

PRECAUCIÓN indica una situación potencialmente peligrosa que, si no se evita, **puede** causar lesiones menores o moderadas.

AVISO

AVISO se usa para hacer notar prácticas no relacionadas con lesiones físicas. El símbolo de alerta de seguridad no se usa con esta palabra de indicación.

NOTA: Proporciona información adicional para clarificar o simplificar un procedimiento.

Observe que

Solamente el personal calificado deberá instalar, hacer funcionar y prestar servicios de mantenimiento al equipo eléctrico. Schneider Electric no asume responsabilidad alguna por las consecuencias emergentes de la utilización de este material.

Contenido

SECCIÓN 1: INTRODUCCIÓN	7
SECCIÓN 2: PRECAUCIONES DE SEGURIDAD	9
Códigos y normas	9
Declaración de ausencia de responsabilidad	9
SECCIÓN 3: RECIBO, MANEJO Y ALMACENAMIENTO	11
Recibo	11
Manejo	11
Manejo con plataformas rodantes o elevadores de plataformas, patines hidráulicos o montacargas	12
Manejo con grúas: Utilizando cables, cadenas o correas	12
Manejo de gabinetes estilos D, H y K, después de extraer la plataforma de transporte	16
Almacenamiento	17
SECCIÓN 4: INSTALACIÓN	19
Ubicación/colocación de los transformadores con o sin ventilación	19
Todos los estilos de gabinetes (D, E, F, H, K y J)	22
Puesta a tierra	26
Clasificación sísmica	27
Control de vibración/ruido	27
Gabinete estilo K	28
Gabinetes estilos D, E, H y J	28
Conexiones eléctricas	29
Pruebas y controles previos a la puesta en servicio / energización	33
Limpieza	33
Controles visuales y mecánicos	33
Pruebas eléctricas	34
SECCIÓN 5: FUNCIONAMIENTO	35
Efectos de la humedad	35
Temperatura del gabinete	36
Antes de energizar los transformadores	36
Energización del transformador	36
SECCIÓN 6: SERVICIO DE MANTENIMIENTO	39
Controles visuales y mecánicos	39
Frecuencia	39
Eventos severos, ambientales o especiales	40
Limpieza	40
Conexiones y superficies de contacto	40
Gabinetes, devanados y aisladores	40
Pruebas eléctricas	41
Resistencia de los contactos	41
Resistencia del aislamiento	41
Resistencia del devanado	42
Unión y puesta a tierra	42
Razón de vueltas	42
Cojinetes aisladores de ruido	42
Conductos de enfriamiento de bobinas	42
Terminales	42
SECCIÓN 7: ACCESORIOS Y PIEZAS DE REPUESTO	43

Lista de figuras

Figura 1:	Transformadores de eficiencia energética 2016 (EX) ..7	7
Figura 2:	Transformadores de eficiencia energética 2016 (EX) .7	7
Figura 3:	Bobina y núcleo abierto8	8
Figura 4:	Transformador con ventilación de eficiente energética (EE) 8	8
Figura 5:	No lineal (NL, NP, NLP) y mitigación de armónicos (HM)8	8
Figura 6:	Transformador sin ventilación8	8
Figura 7:	Manejo con un montacargas: Palas/horquillas bajo el transformador completo (con plataforma de transporte)12	12
Figura 8:	Elevación en dos puntos de sujeción: Ángulos de tracción de los cables (no menos de 60 grados respecto a la horizontal)13	13
Figura 9:	Elevación en dos puntos de sujeción: Manejo con cadenas y ganchos en esquinas cruzadas (no menos de 60 grados respecto a la horizontal)14	14
Figura 10:	Elevación en cuatro puntos de sujeción: Manejo con cadenas y ganchos en cuatro esquinas (no menos de 60 grados respecto a la horizontal)15	15
Figura 11:	Elevación en cuatro puntos de sujeción: Manejo con una correa y ganchos (no menos de 60 grados respecto a la horizontal)16	16
Figura 12:	Manejo con un patín hidráulico: Gabinetes estilos D, E, H y K, después de extraer la plataforma de transporte16	16
Figura 13:	Ejemplo de la placa de datos19	19
Figura 14:	Distancia mínima marcada en la placa de datos (NEC 450.9)20	20
Figura 15:	Montaje: Gabinetes estilos D, H, K y E20	20
Figura 16:	Gabinetes D, H, K y E20	20
Figura 17:	Montaje del gabinete estilo J: Con ventilación21	21
Figura 18:	Soporte de montaje en piso: Gabinete estilo K21	21
Figura 19:	Soporte de montaje en piso: Gabinete estilo K21	21
Figura 20:	Transformadores instalados en interiores: NEC 450.21, excepciones A o B en el ejemplo de la placa de datos22	22
Figura 21:	Transformador montado en pared23	23
Figura 22:	Transformador montado en trapecio (techo)24	24
Figura 23:	Kits para gabinete tipo 3R25	25
Figura 24:	Barra de terminales de tierra con cuatro conductores26	26
Figura 25:	Etiqueta con la instrucción para aflojar la tuerca una vuelta completa (cuatro ubicaciones)27	27
Figura 26:	Flotando el transformador en los cojinetes aislantes/amortiguadores de ruido27	27
Figura 27:	Gabinete estilo K: Tornillos accesibles desde la parte delantera del transformador28	28
Figura 28:	Punto de acceso: Gabinetes estilos D, E, H y K29	29
Figura 29:	Punto de acceso: Gabinete estilo J30	30
Figura 30:	Etiqueta que muestra la ubicación superior en los gabinetes (puntos de acceso por debajo de la tarjeta de terminales superior)30	30

Lista de tablas

Figura 31:	Diagrama de fases, ubicación de las derivaciones y tensión nominal marcada en la placa de datos	31
Figura 32:	Etiqueta de precaución para los transformadores conectados en delta-estrella o estrella-delta	32
Figura 33:	Desmontaje de los soportes temporales	36
Figura 34:	Detalles del ensamble para el transformador de eficiente energética EX75T3H con cubierta frontal de gabinete estilo 20K	43
Figura 35:	Detalles del ensamble para el transformador de eficiente energética EX300T3H con cubierta frontal de gabinete estilo 25J	44
Figura 36:	Ejemplo de placa de datos	46

Tabla 1:	Espacio libre en el gabinete	22
Tabla 2:	Conversión de montaje en piso a montaje en pared (utilizando kits de fábrica)	23
Tabla 3:	Conversión de montaje en piso a trapezoidal (techo) (utilizando kits de fábrica)	24
Tabla 4:	Cubiertas, paneles laterales, protecciones para intemperie y soportes de montaje	45
Tabla 5:	Zapatas de compresión VERSAtile™ y tornillo de sujeción mecánica —zapatas AL9CU recomendadas por UL	46
Tabla 6:	Kits de zapatas marca Square D para transformadores tipo seco	47
Tabla 7:	Tamaños de zapatas terminales mecánicas y de compresión, y tamaño de conductor	48
Tabla 8:	Kits de barras de tierra marca Square D	48

Sección 1—Introducción

Este boletín de instrucciones proporciona las instrucciones de instalación, funcionamiento y servicio de mantenimiento de los transformadores tipo seco de 1 000 V y tensiones inferiores para su uso en aplicaciones comerciales e industriales.

NOTA: Este boletín debe ser utilizado sólo por personal calificado.

En este boletín de instrucciones se incluyen las siguientes familias de productos de transformadores tipo seco. Transformadores típicos se muestran en las figuras 1 a 6.

- Transformadores de distribución de baja tensión, de tres fases y una fase
 - Uso general: 50 y 60 Hz
 - Eficiencia energética (EE): 60 Hz
 - Eficiencia energética 2016 (EX): 60 Hz
 - Oferta no lineal (NL, NP o NLP): 50 y 60 Hz
 - Transformadores de mitigación de armónicos (HM): 50 y 60 Hz
 - Bobina y núcleo abierto (OC)
- Transformadores de aislamiento de variadores (DIT)
- Transformadores sin ventilación (NV)

Figura 1: Transformadores de eficiencia energética 2016 (EX)



Figura 2: Transformadores de eficiencia energética 2016 (EX)



Figura 3: Bobina y núcleo abierto

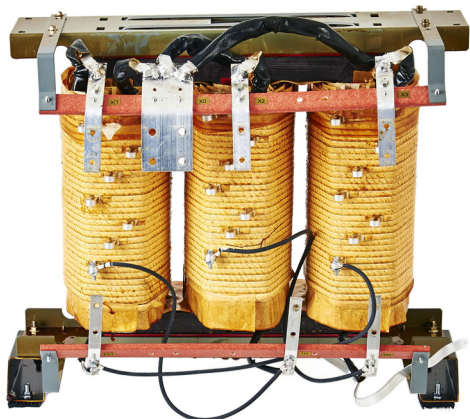


Figura 4: Transformador con ventilación de eficiente energética (EE)



Figura 5: No lineal (NL, NP, NLP) y mitigación de armónicos (HM)



Figura 6: Transformador sin ventilación



Sección 2—Precauciones de seguridad

⚠ PELIGRO

PELIGRO DE DESCARGA ELÉCTRICA, EXPLOSIÓN O DESTELLO POR ARQUEO

- Utilice equipo de protección personal (EPP) apropiado y siga las prácticas de seguridad en trabajos eléctricos establecidas por su Compañía, consulte la norma 70E de NFPA, Z462 de CSA o NOM-029-STPS-2011.
- Solamente el personal eléctrico calificado deberá instalar y prestar servicio de mantenimiento a este equipo.
- Asegúrese de leer y entender todas las instrucciones de este boletín antes de realizar cualquier trabajo en este equipo.
- Desenergice el equipo antes de realizar cualquier trabajo dentro o fuera de él.
- Siempre utilice un dispositivo detector de tensión nominal adecuado para confirmar la desenergización del equipo.
- Antes de realizar una inspección visual, pruebas o servicio de mantenimiento al equipo, desconecte todas las fuentes de alimentación eléctrica. Suponga que todos los circuitos están “vivos” hasta que hayan sido completamente desenergizados, probados y etiquetados. Preste particular atención al diseño del sistema de alimentación. Tome en consideración todas las fuentes de alimentación, incluyendo la posibilidad de retroalimentación.
- Siga todos los procedimientos de bloqueo y etiquetado de acuerdo con los requisitos de OSHA.
- Inspeccione detenidamente el área de trabajo y retire las herramientas u objetos que hayan quedado dentro del equipo.
- Vuelva a colocar todos los dispositivos, las puertas y las cubiertas antes de energizar este equipo.
- Todas las instrucciones de este manual fueron escritas suponiendo que el cliente ha adoptado estas medidas de precaución antes de prestar servicios de mantenimiento o realizar una prueba.

El incumplimiento de estas instrucciones podrá causar la muerte o lesiones serias.

Códigos y normas

Es responsabilidad de los usuarios de este documento emplear personal calificado y cumplir con los códigos eléctricos locales, estatales y federales durante la instalación de sistemas y productos eléctricos.

Este documento se adhiere a los códigos y normas descritos por la National Fire Protection Association® (asociación nacional de protección contra incendios, NFPA por sus siglas en inglés). Consulte la norma NFPA 70: Código eléctrico nacional edición 2014 (NEC®).

Declaración de ausencia de responsabilidad

Solamente el personal calificado deberá instalar, hacer funcionar y prestar servicios de mantenimiento al equipo eléctrico. Schneider Electric no asume responsabilidad alguna por las consecuencias emergentes de la utilización de este material.

Sección 3—Recibo, manejo y almacenamiento

Recibo

1. Al recibir el equipo, retire el embalaje.
 - De inmediato realice una inspección al transformador nuevo para determinar si hay algún daño.
 - Consulte Accesorios y piezas de repuesto en la página 43 para obtener información sobre piezas de repuesto, accesorios (por ejemplo, pintura) y refacciones para daños menores.
2. Revise la lista de embalaje y compruebe con la placa de datos del producto.
 - Verifique que el pedido y el envío coincidan y que el envío esté completo.

NOTA: Siga las condiciones de venta de Schneider Electric en caso de faltantes y errores.
3. Vuelva a empacar los transformadores para su almacenaje si no van a ser instalados de inmediato.
 - Cubra todas las aberturas de ventilación para protegerlos contra la exposición a la humedad, polvo y contaminantes.
 - Deje el material de embalaje intacto hasta que los transformadores estén listos para instalarse.
4. Consulte las "Condiciones de venta" para obtener detalles con respecto a reclamaciones por faltantes de equipo y otros errores. Póngase en contacto con su distribuidor local de Schneider Electric para obtener asistencia adicional.

Manejo

Maneje los transformadores con cuidado para evitar daños. Evite someter los transformadores a impacto, golpes, sacudidas y manejo rudo. Asegúrese que los transformadores sean transportados en posición vertical. Cuando sea posible, transporte los transformadores a su sitio de instalación cuando aún estén montados en sus plataformas de transporte.

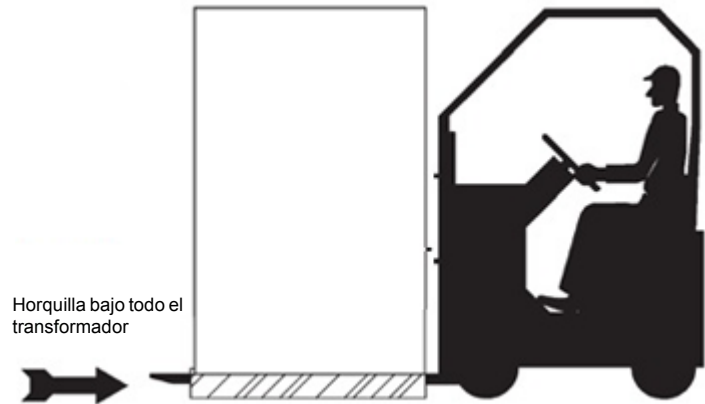
Verifique que el peso del transformador no exceda la capacidad nominal del equipo de manejo que se va a utilizar.

Manejo con plataformas rodantes o elevadores de plataformas, patines hidráulicos o montacargas

Debe tener mucho cuidado cuando mueva los transformadores desde su parte inferior. Vea la figura 7.

- Tenga cuidado y asegúrese de distribuir el peso al transportar los transformadores utilizando carros de plataformas rodantes, elevadores de plataformas, patines hidráulicos o montacargas.
- Utilice carritos o montacargas sólo cuando las palas u horquillas sean lo suficientemente largas para pasar totalmente bajo el gabinete del transformador o plataforma de transporte. Se prefiere una mayor separación entre las horquillas para distribuir el peso de la unidad de manera uniforme para aumentar la estabilidad.

Figura 7: Manejo con un montacargas: Palas/horquillas bajo el transformador completo (con plataforma de transporte)



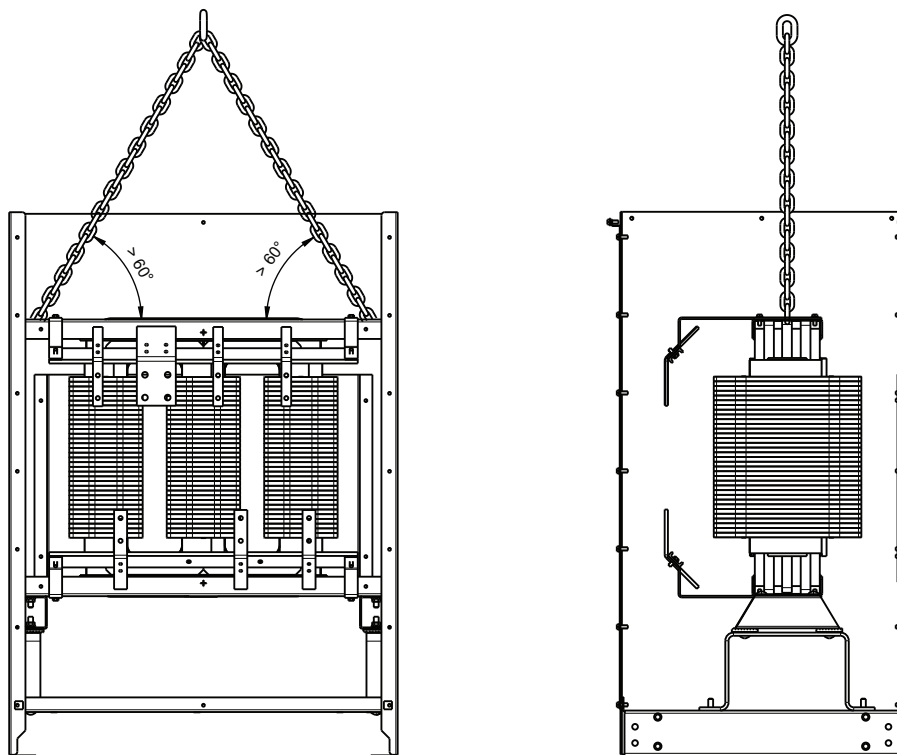
Manejo con grúas: Utilizando cables, cadenas o correas

Al levantar el transformador desde arriba, se permite el uso de barras separadoras con cables o cadenas. Esto ayudará a evitar daños al gabinete o equipo.

El gabinete puede ser desmontado para permitir que las unidades sean transportadas a través de aberturas pequeñas, levantándolas con los mismos medios de elevación que se muestran en la figura 8 en la página 13, figura 9 en la página 14 y figuras 10 y 11 en la página 16. Consulte las figuras 34 y 35 en Accesorios y piezas de repuesto en la página 43 para conocer detalles de las piezas y accesorios.

Asegúrese de que los ángulos de tracción de los cables de levantamiento no sean menos de 60 grados respecto a la horizontal. Vea la figura 8 en la página 13.

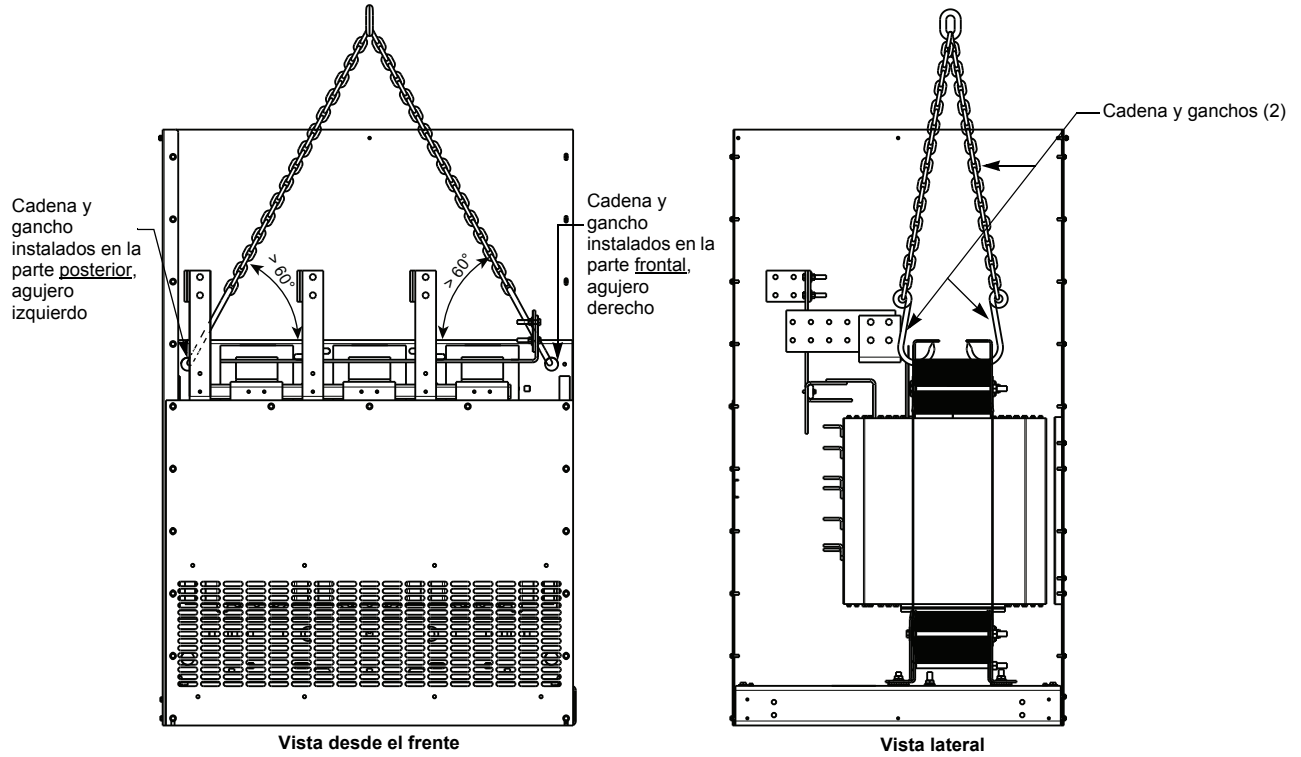
Figura 8: Elevación en dos puntos de sujeción: Ángulos de tracción de los cables (no menos de 60 grados respecto a la horizontal)



ESPAÑOL

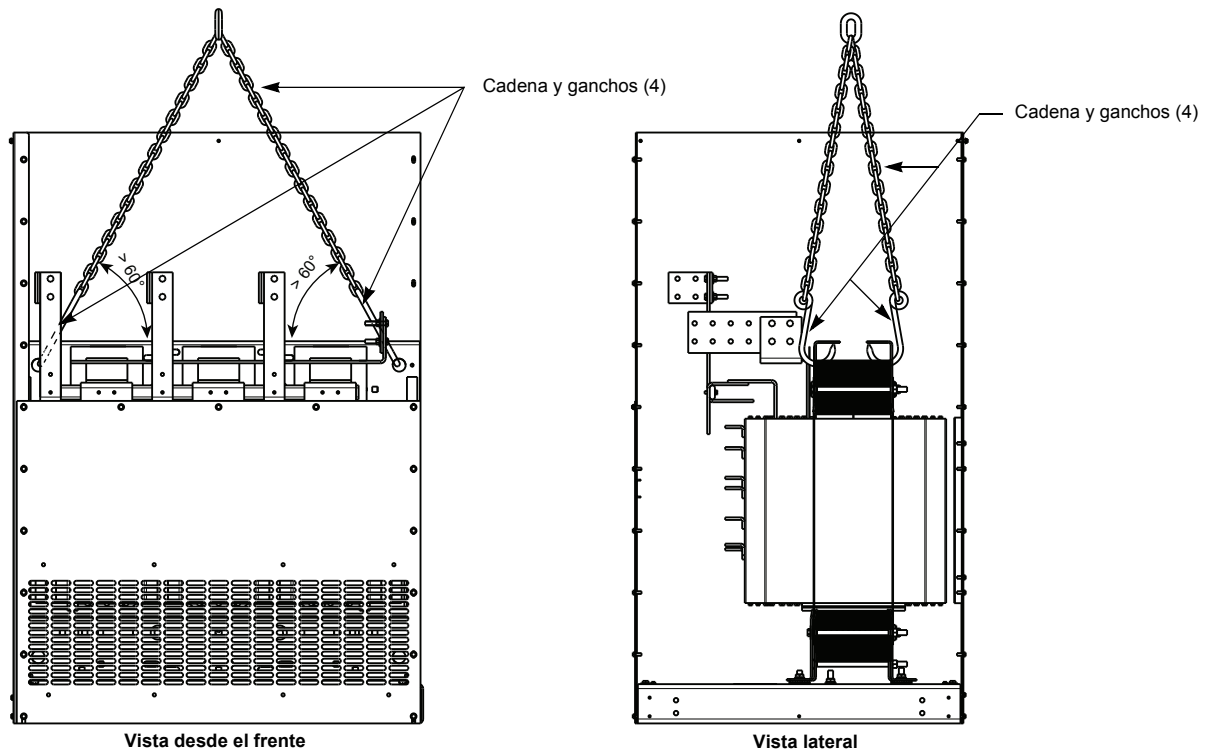
Consulte las figuras 9 a 11 en las páginas 14 a 16 para conocer otras opciones de levantamiento y manejo permitidas.

Figura 9: Elevación en dos puntos de sujeción: Manejo con cadenas y ganchos en esquinas cruzadas (no menos de 60 grados respecto a la horizontal)



Elevación en dos puntos con cadenas y ganchos: Soporte de núcleo superior, lado derecho y agujero frontal. Soporte trasero, lado izquierdo y agujero trasero

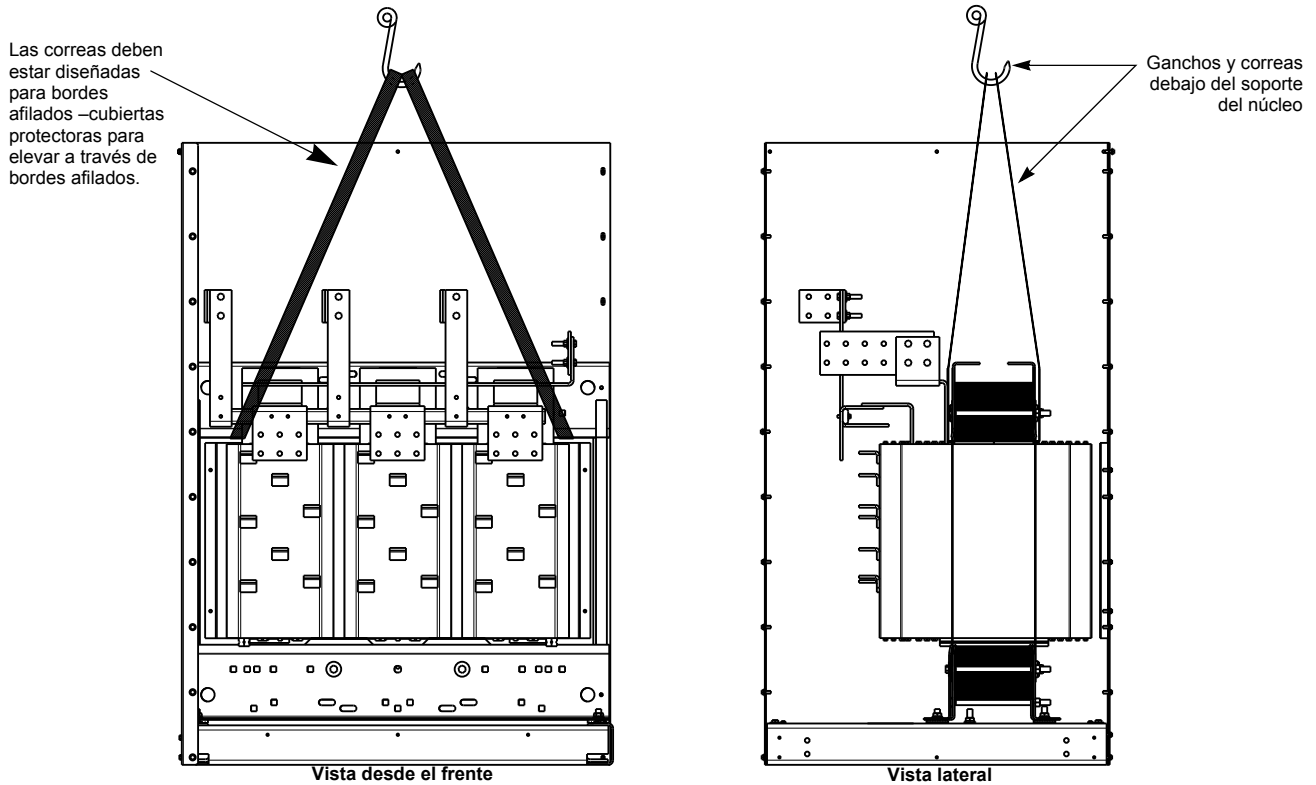
Figura 10: Elevación en cuatro puntos de sujeción: Manejo con cadenas y ganchos en cuatro esquinas (no menos de 60 grados respecto a la horizontal)



Elevación en cuatro puntos de sujeción: Los ganchos se encuentran en los agujeros delanteros y traseros en el soporte del núcleo (4), con cadenas levantando en los ganchos.

ESPAÑOL

Figura 11: Elevación en cuatro puntos de sujeción: Manejo con una correa y ganchos (no menos de 60 grados respecto a la horizontal)



Elevación en cuatro puntos de sujeción: Las correas se encuentran debajo de los soportes de núcleo, con las correas juntas en la parte superior con un gancho. Utilice correas con cubiertas protectoras, los bordes de las abrazaderas de núcleo están afilados.

Manejo de gabinetes estilos D, H y K, después de extraer la plataforma de transporte

Los carritos y montacargas pueden acceder y mover el transformador a través de las aberturas en la parte delantera y trasera, por debajo, en la parte inferior de la base. Vea la figura 12. Siga las mismas instrucciones de manejo (que comienzan en la página 12) como si la plataforma de transporte aún estuviese colocada.

Figura 12: Manejo con un patín hidráulico: Gabinetes estilos D, E, H y K, después de extraer la plataforma de transporte



Almacenamiento

Deje el material de embalaje que mantiene al transformador en su lugar hasta que la unidad esté preparada para su colocación definitiva y conexión. Esto ayudará a proteger el gabinete del transformador y las piezas internas de la suciedad, el agua, la contaminación por humedad y daños físicos durante el almacenamiento. Proporcione medidas adicionales para proteger el transformador cuando el material de embalaje original no puede retenerse.

Almacene los transformadores en interiores en una zona limpia, seca y climatizada con temperaturas uniformes y circulación de aire adecuada. Si es necesario, instale calefacción eléctrica para mantener una temperatura uniforme por encima de la temperatura ambiente para evitar condensación.

Proteja los transformadores de las inclemencias del clima y la contaminación, cuando no es posible almacenar los transformadores en interiores.

Antes de energizar el transformador complete los pasos en Pruebas y controles previos a la puesta en servicio / energización además de los siguientes pasos:

1. Pruebe la resistencia del aislamiento si el almacenamiento en un entorno controlado no es factible. Consulte Resistencia del aislamiento en la página 41.
2. Seque la unidad si los niveles de prueba son inaceptables:
 - a. Utilice dos calentadores o lámparas por bobina en 120 V, 50 W para aplicar calor exterior a las bobinas.
 - b. Monte el calentador o lámpara directamente debajo de las bobinas situadas en la parte delantera y trasera del núcleo.


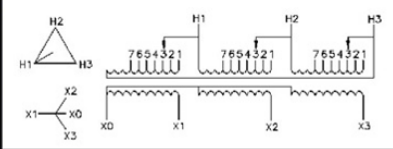

NOTA: Los transformadores para exteriores no son resistentes a la intemperie sino hasta que estén correcta y completamente instalados y energizados. Trate a los transformadores para exteriores exactamente de la misma manera que los transformadores para interiores hasta después de que se hayan instalado.

Sección 4—Instalación

Ubicación/colocación de los transformadores con o sin ventilación

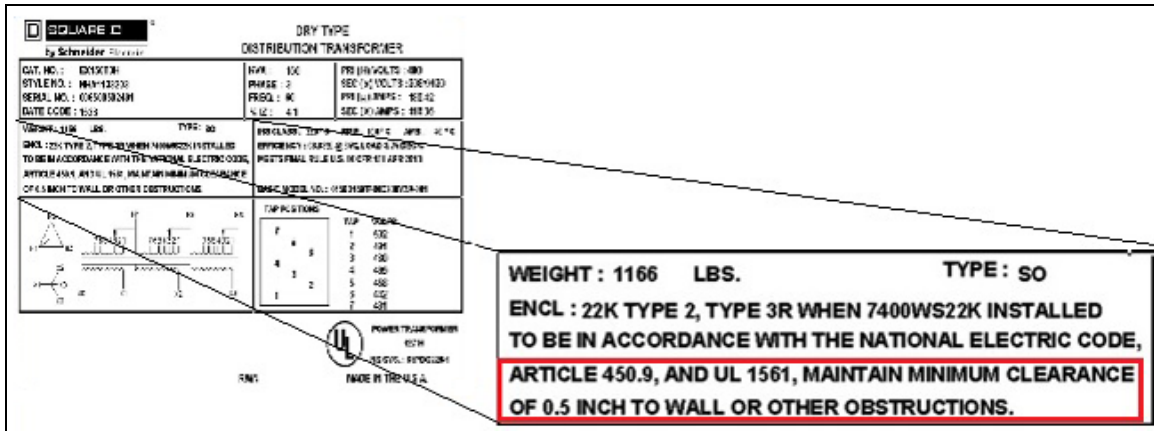
1. Retire todo el material de embalaje. Conserve la plataforma de transporte que viene con el transformador para ayudar a mover la unidad a su lugar de instalación final.
2. Verifique que la placa de datos coincida con la descripción de los dibujos de diseño del edificio (kVA, tensiones primarias y secundarias, etc.). Vea la figura 13.

Figura 13: Ejemplo de la placa de datos

		DRY TYPE DISTRIBUTION TRANSFORMER																																	
CAT. NO. : EX150T3H STYLE NO. : NHA1133203 SERIAL NO. : 006500502491 DATE CODE : 1523		KVA : 150 PHASE : 3 FREQ. : 60 % IZ : 4.1	PRI (H) VOLTS : 480 SEC (X) VOLTS : 208Y/120 PRI (H) AMPS : 180.42 SEC (X) AMPS : 416.36																																
WEIGHT : 1166 LBS. ENCL : 22K TYPE 2, TYPE 3R WHEN 7400WS22K INSTALLED TO BE IN ACCORDANCE WITH THE NATIONAL ELECTRIC CODE, ARTICLE 450.9, AND UL 1561, MAINTAIN MINIMUM CLEARANCE OF 0.5 INCH TO WALL OR OTHER OBSTRUCTIONS.		TYPE : SO INS CLASS : 220 °C EFFICIENCY : 98.83% @ 35% LOAD & 75 DEG C MEETS FINAL RULE U.S. 10 CFR 431 APR 2013	RISE : 150 °C AMB : 40 °C																																
		BASIC MODEL NO. : 065EX150T480D208Y2A-001																																	
		<table border="1"> <thead> <tr> <th colspan="2">TAP POSITIONS</th> <th>TAP</th> <th>VOLTS</th> </tr> </thead> <tbody> <tr> <td>7</td> <td>6</td> <td>1</td> <td>502</td> </tr> <tr> <td></td> <td></td> <td>2</td> <td>491</td> </tr> <tr> <td></td> <td>5</td> <td>3</td> <td>480</td> </tr> <tr> <td>4</td> <td>3</td> <td>4</td> <td>469</td> </tr> <tr> <td></td> <td></td> <td>5</td> <td>458</td> </tr> <tr> <td></td> <td>2</td> <td>6</td> <td>442</td> </tr> <tr> <td>1</td> <td></td> <td>7</td> <td>431</td> </tr> </tbody> </table>		TAP POSITIONS		TAP	VOLTS	7	6	1	502			2	491		5	3	480	4	3	4	469			5	458		2	6	442	1		7	431
TAP POSITIONS		TAP	VOLTS																																
7	6	1	502																																
		2	491																																
	5	3	480																																
4	3	4	469																																
		5	458																																
	2	6	442																																
1		7	431																																
		 POWER TRANSFORMER 127 H INS SYS. : 65PDG220-1 MADE IN THE U.S.A.																																	
		RWN																																	

3. Coloque la unidad según los dibujos de diseño del edificio.
4. Verifique que el entorno sea adecuado para el tipo de gabinete.
5. Asegúrese de que la ubicación esté accesible para el personal calificado (de acuerdo con la norma NEC 450.13). Las unidades situadas al aire libre pueden ser montadas en paredes, columnas, o bien, soportadas desde estructuras.
6. Asegúrese de que haya ventilación adecuada ya que es esencial para enfriar correctamente los transformadores con ventilación. Consulte el código eléctrico nacional (NEC®) artículo 450.
 - La distancia mínima está marcada en la placa de datos (NEC 450.9). Vea la figura 14 en la página 20.
 - La distancia mínima varía según el estilo de gabinete. Consulte el dibujo de aprobación de Schneider Electric para conocer la distancia mínima.
 - y se recomienda mantener limpio y seco su lugar de ubicación.
 - El aire filtrado puede reducir el mantenimiento en caso de que la ubicación del transformador presente un problema

Figura 14: Distancia mínima marcada en la placa de datos (NEC 450.9)



7. Instale los accesorios antes de instalar el transformador, si lo va a montar en la pared o el techo (montaje trapezoidal).
 - a. Observe las cuatro ubicaciones de los agujeros de montaje en cada base del gabinete.
 - b. Obtenga las dimensiones reales de los dibujos de aprobación de Schneider Electric.
 - c. Sujete las unidades utilizando uno de los dos métodos de montaje: sin soportes de montaje en piso (figuras 15, 16 y 17 en la página 21) o con soportes de montaje en piso (figuras 18 y 19 en la página 21).
8. Coloque el transformador en su posición final.

Figura 15: Montaje: Gabinetes estilos D, H, K y E

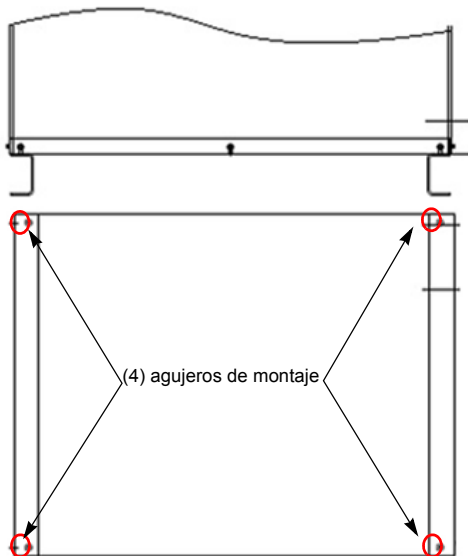
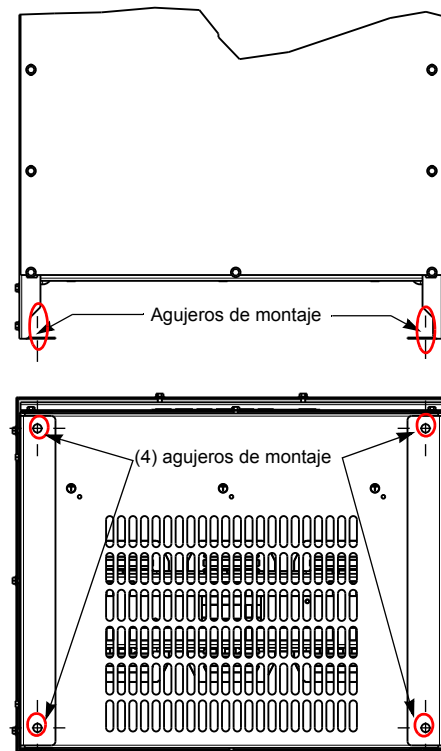
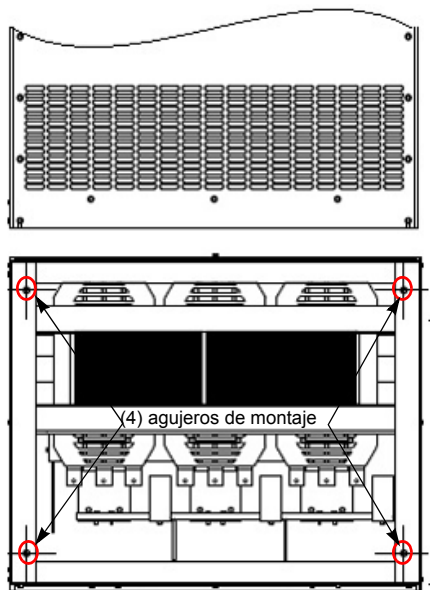


Figura 16: Gabinetes D, H, K y E



**Figura 17: Montaje del gabinete estilo J:
Con ventilación**



Unidades no adecuadas para su uso en piso combustible
(abierto en la parte inferior)

Figura 18: Soporte de montaje en piso: Gabinete estilo K

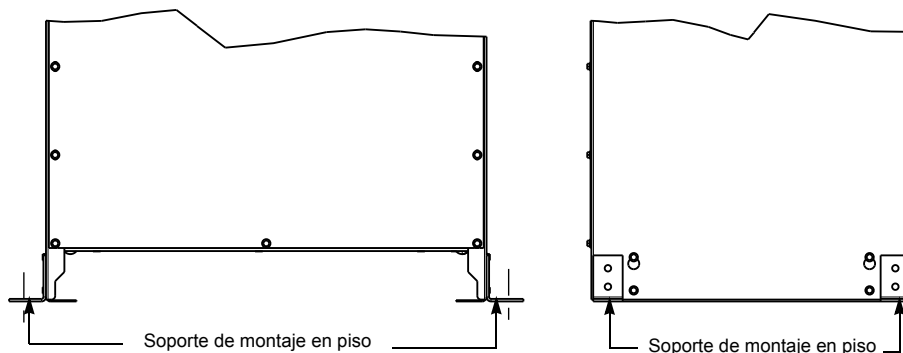
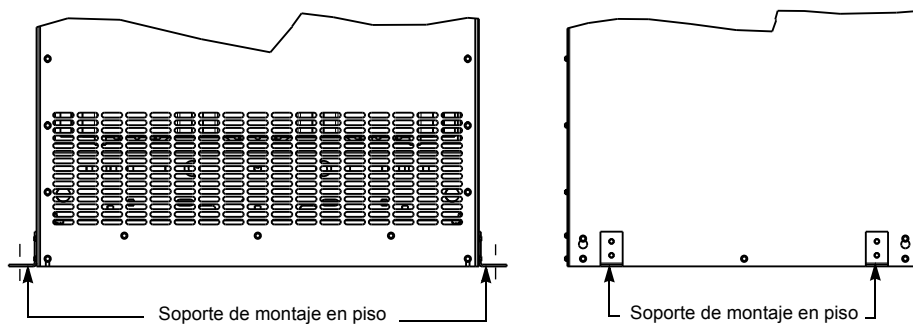


Figura 19: Soporte de montaje en piso: Gabinete estilo K



ESPAÑOL

Todos los estilos de gabinetes (D, E, F, H, K y J)

- Transformadores instalados en interiores (estilos D, E, F, H, K y J):
 - Completamente cerrados o completamente cerrados con aberturas de ventilación; cumple con la norma NEC 450.21 (A) excepción.
 - Unidades de más de 112,5 kVA
 - Tienen sistemas de aislamiento para 220°C (428°F) o 200°C (392°F); cumple con la norma 450.21 (B) excepción no. 2

Vea la figura 20.

Figura 20: Transformadores instalados en interiores: NEC 450.21, excepciones A o B en el ejemplo de la placa de datos

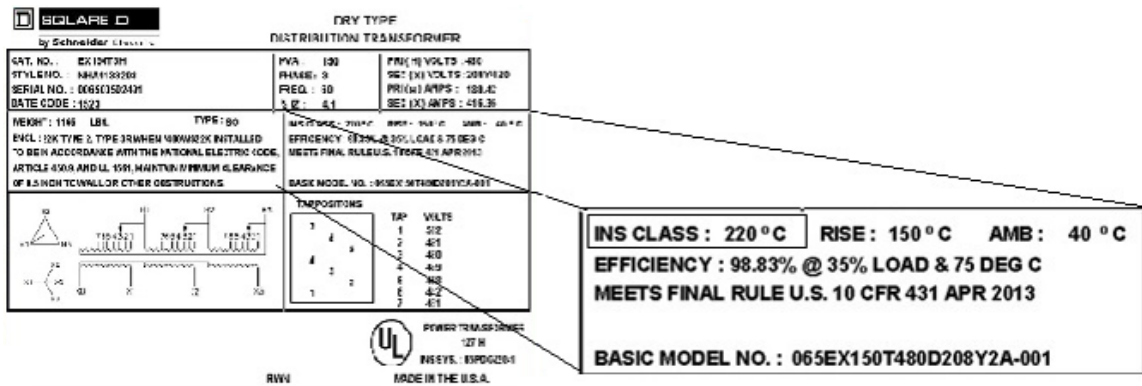


Tabla 1: Espacio libre en el gabinete

Gabinete estilo	Espacio libre al frente	Espacio libre a los lados (pulg / mm)	Espacio libre atrás (pulg / mm)
D	El espacio libre para realizar trabajos para todos los estilos varía sustancialmente dependiendo de la tensión y la aplicación específica. Consulte la norma NEC 110.26	0,50 / 12,7	Tipo EE – 3 / 76,2
H			Todos los demás estilos – 6 / 152
E			3 / 76,2
K			3 / 76,2
J			0,50 / 12,7
F			0,50 / 12,7
			12 / 305

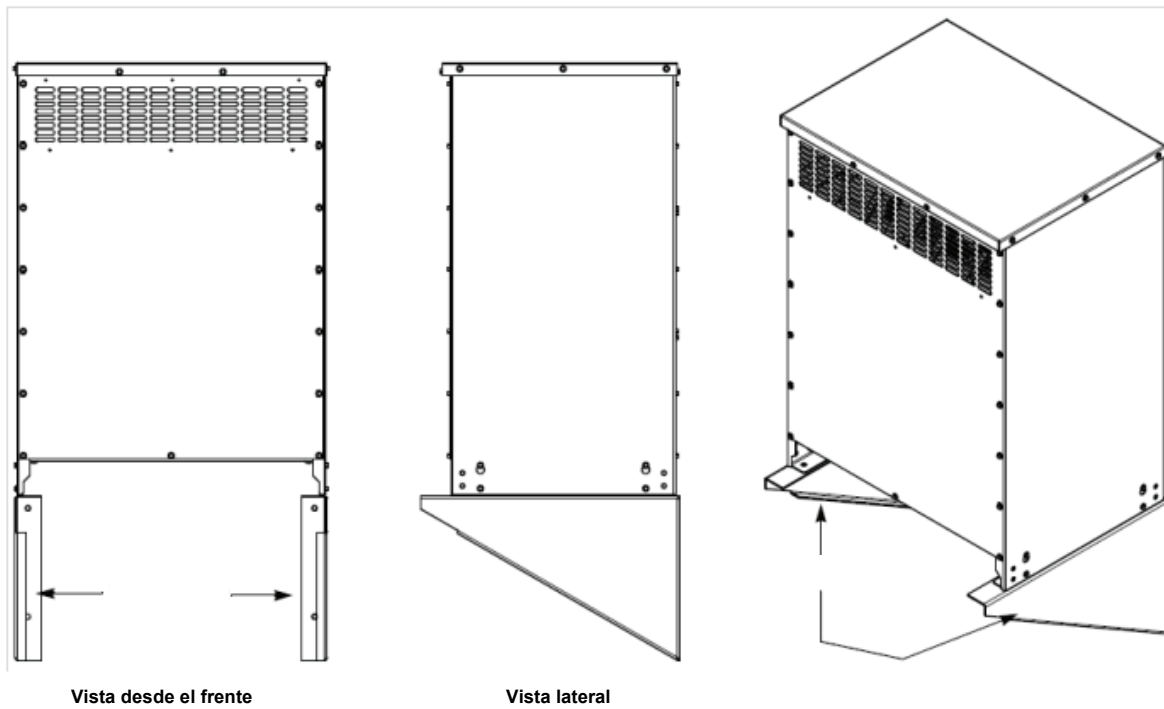
Los transformadores se pueden convertir de montaje en piso a montaje en pared (consulte la tabla 2 y la figura 21 en la página 23) o de montaje en piso a trapecio (consulte la tabla 3 y la figura 22 en la página 24) utilizando kits disponibles de fábrica. Los kits están preperforados para alinearlos con los agujeros de montaje del gabinete; y, cuando el transformador está instalado, conservan el espacio libre mínimo necesario para las unidades. El nuevo soporte de montaje en pared para el estilo K permite un espacio libre de 152 mm (6 pulgadas) y 76 mm (3 pulgadas), todos los demás estilos requieren un espacio libre de 152 mm (6 pulgadas).

Los kits de fábrica no incluyen los herrajes, éstos deben ser suministrados por el cliente. Los herrajes incluyen la varilla roscada para el montaje trapecoidal de los transformadores. El diseñador del proyecto deberá seleccionar los anclajes y herrajes así como su tamaño debido a la gran variedad de técnicas y materiales de construcción. Schneider Electric no puede aconsejarle sobre los anclajes, el montaje en pared, o tamaño de las varillas para el montaje trapecoidal.

Tabla 2: Conversión de montaje en piso a montaje en pared (utilizando kits de fábrica)

Gabinete estilo	Número de gabinete	Peso máximo (lb / kg)
D	17 – 20	700 / 317
H	17 – 18	700 / 317
E	17 – 20	700 / 317
K	17 – 20	850 / 386

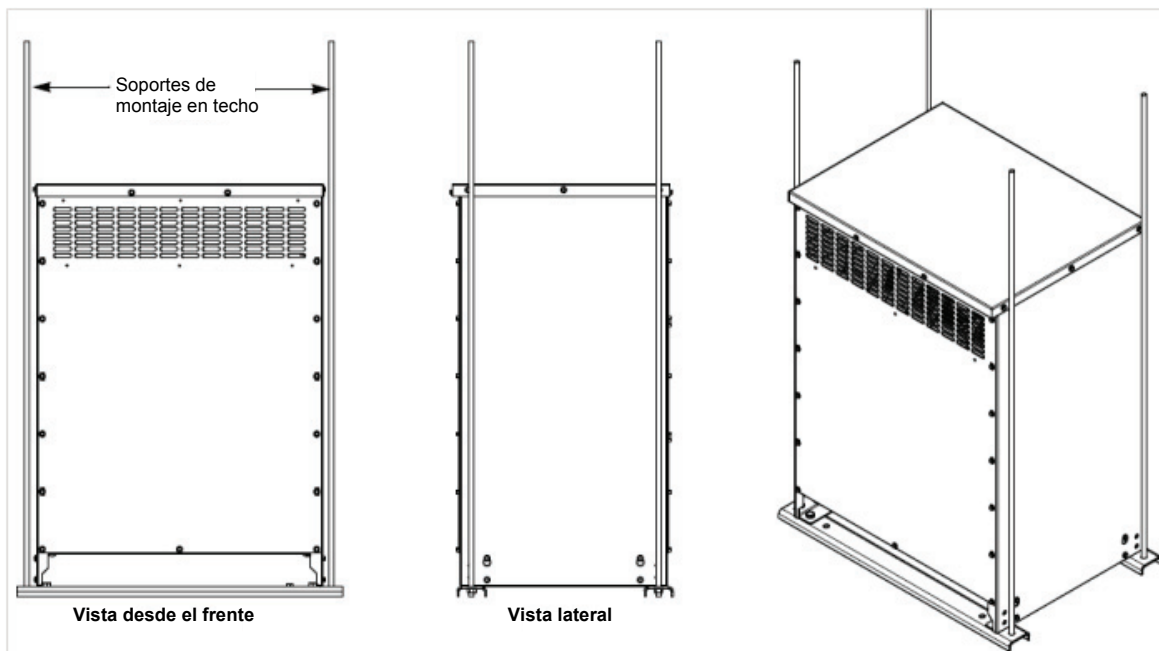
Figura 21: Transformador montado en pared



**Tabla 3: Conversión de montaje en piso a trapezoidal (techo)
(utilizando kits de fábrica)**

Gabinete estilo	Número de gabinete	Peso máximo (lb / kg)
D	17 – 24	1200 / 544
H	17 – 18	1200 / 544
E	17 – 22	1200 / 544
K	17 – 22	1200 / 544

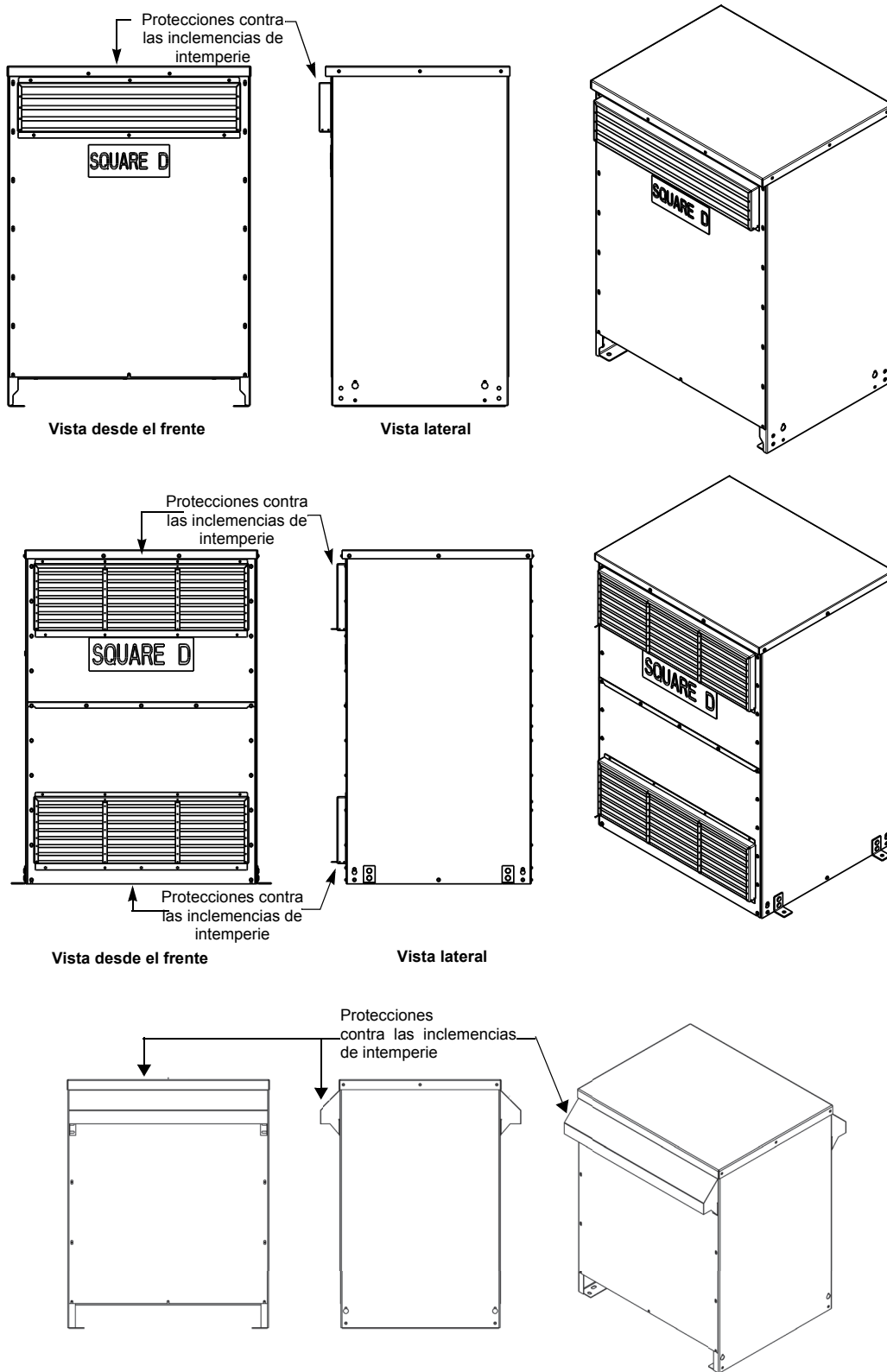
Figura 22: Transformador montado en trapecio (techo)



Los gabinetes D, E, H, K y J se pueden convertir al tipo 3R utilizando kits de instalación en campo. Vea la figura 23 en la página 25.

Gabinete tipo F – deberá solicitarse de fábrica si se va a instalar a la intemperie.

Figura 23: Kits para gabinete tipo 3R



ESPAÑOL

Puesta a tierra

1. Conecte permanente y adecuadamente a tierra el gabinete y el ensamble de núcleo de los transformadores tipo seco de acuerdo con los requisitos establecidos por el NEC o NOM-001-SEDE.
 - Es posible conectar a tierra los devanados teniendo en cuenta las condiciones locales y según el NEC o NOM-001-SEDE.
 - La barra de terminales de tierra debe ser aprobada por UL para este fin.
 - Según la norma NEC 450.10, la barra de terminales deberá estar unida al gabinete para cumplir con los requisitos de la norma NEC 250.12 y no deberá instalarse en o sobre las aberturas de ventilación.
2. Conecte a tierra el transformador, accesorios y componentes relacionados de acuerdo con el NFPA 70 (NEC).
3. Termine todos los conductores de unión y puesta a tierra en un punto común de tierra del equipo en el gabinete.
4. Quite la pintura de alrededor del área donde se montará la barra de terminales de tierra para aumentar el contacto con las piezas del gabinete.
 - Gabinetes estilos D, E y H: Un área está disponible en la base del transformador para perforar y montar la barra de terminales de tierra.
 - Gabinete estilo K: Tres agujeros preperforados han sido marcados con el símbolo de tierra para montar la barra de terminales de tierra.
 - Gabinete estilo J: Dos agujeros preperforados han sido marcados con el símbolo de tierra para montar la barra de terminales de tierra.

Los kits de zapatas secundarias marca Square D incluyen una barra de terminales de tierra con cuatro conductores. La barra puede obtenerse también como un dispositivo separado de Schneider Electric. Consulte la tabla 6 en la página 45 y figura 24.

Figura 24: Barra de terminales de tierra con cuatro conductores



Clasificación sísmica

Los límites sísmicos para los transformadores tipo seco de baja tensión se obtienen de los resultados de las pruebas de mesa de vibración sísmica triaxial que se llevan a cabo de acuerdo con el protocolo de prueba AC156. Las certificaciones se basan en la ubicación donde se instalan las unidades y de acuerdo con los códigos de construcción que rigen la instalación.

Los resultados de los códigos de construcción están disponibles para CBC 2001, CBC 2007, CBC 2010, IBC 2000, IBS 2003, IBC 2006, IBC 2009, NBC 2005, NBCC 2005, NBCC 2010, NFPA 5000, UBC 94, CBC 95, UBC97 y UFC 3-310-04.

Póngase en contacto con su distribuidor local de Schneider Electric, o llame al 1-888-Square D (1-888-778-2733) para obtener el nivel específico de Sds, z/h e Ip para cada estilo de gabinete.

Los niveles suministrados se basan en las unidades que se van a montar y en las notas en los dibujos de aprobación. Se encuentran disponibles dibujos que incluyen las dimensiones de montaje, dimensiones de los agujeros de montaje, dimensiones generales, peso de la unidad y la ubicación aproximada del centro de gravedad para ayudar en la calificación sísmica. Póngase en contacto con su distribuidor local de Schneider Electric o llame al 1-888-778-2733 para obtener estos dibujos.

Terceras personas son responsables de detallar los requisitos de conexión al equipo y su anclaje (incluyendo el sistema de restricción lateral, si es apropiado) para la instalación del transformador. El encargado de la instalación y los fabricantes del anclaje y del sistema de restricción lateral son responsables de garantizar el cumplimiento con los requisitos de montaje.

Control de vibración/ruido

El transformador ha sido diseñado para minimizar el nivel de ruido audible producido. Cojinetes aisladores de ruido son sujetados entre el soporte de montaje del transformador y el gabinete utilizando tornillos y tuercas. Los herrajes de montaje son apretados antes de su envío para evitar daños.

Afloje la tuerca una vuelta completa para hacer flotar el transformador en los cojinetes aisladores, aislando así el transformador del gabinete. Esto reducirá aún más los niveles de ruido audible. Vea las figuras 25 y 26.

Figura 25: Etiqueta con la instrucción para aflojar la tuerca una vuelta completa (cuatro ubicaciones)

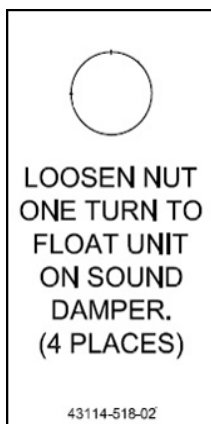
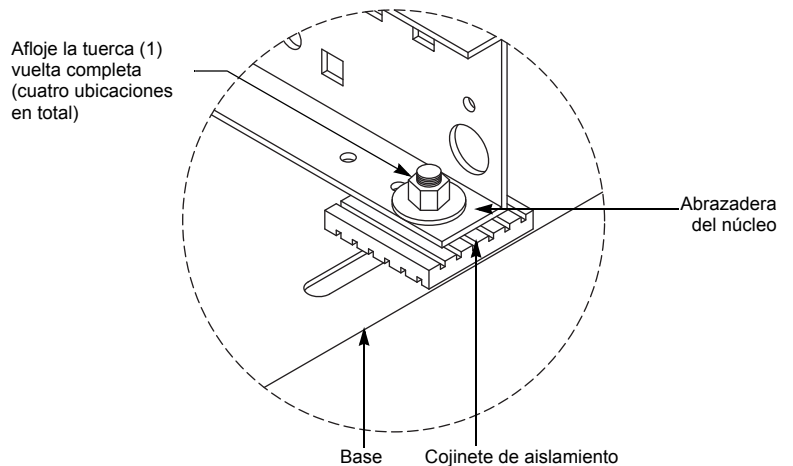


Figura 26: Flotando el transformador en los cojinetes aislantes/amortiguadores de ruido



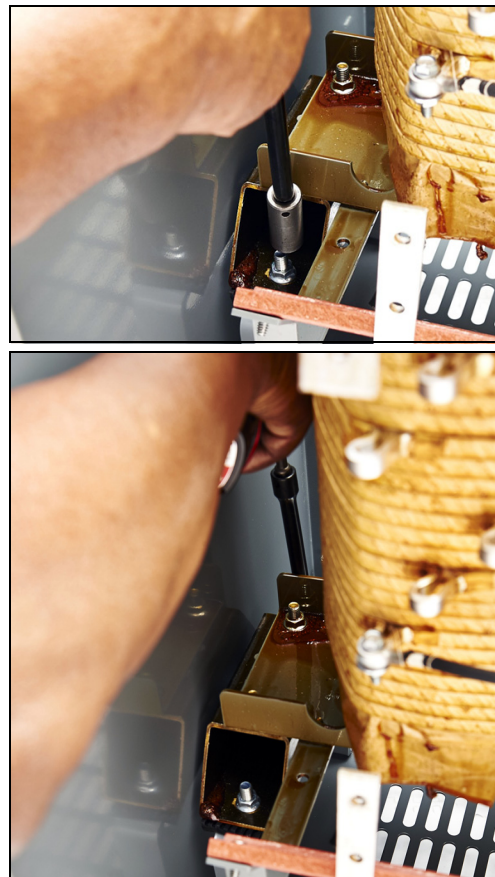
Gabinete estilo K

Además, el área donde se coloca el transformador puede afectar el nivel de ruido:

- ❑ Evite instalar el transformador en una esquina, un corredor estrecho o un área con superficies lisas; esto podría rebotar e intensificar el ruido.
- ❑ Sujete firmemente todos los paneles del gabinete. Los paneles sueltos pueden crear traqueteo e intensificar el ruido producido.
- ❑ Si es posible, utilice tubo conduit flexible.
- ❑ Asegúrese de que el tipo de estructura en que se va a montar el transformador sea suficientemente fuerte para soportar su peso.

Los tornillos del gabinete estilo K están accesibles desde la parte delantera con una extensión. Vea la figura 27.

Figura 27: Gabinete estilo K: Tornillos accesibles desde la parte delantera del transformador



Gabinetes estilos D, E, H y J

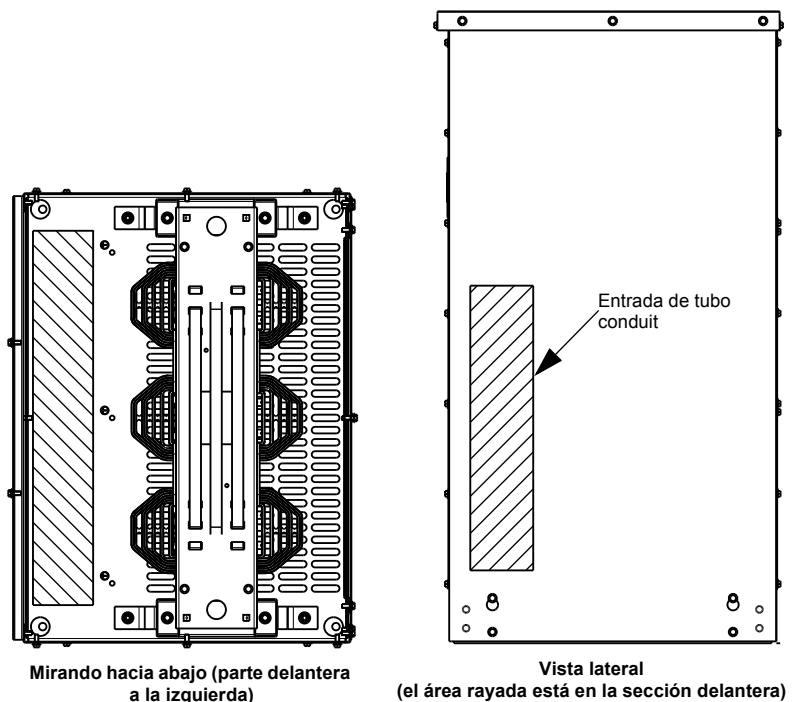
Los tornillos de los gabinetes estilos D, E, H y J están accesibles desde la parte delantera.

Consulte la figura 26 en la página 27 para conocer el acceso para estos gabinetes.

Conexiones eléctricas

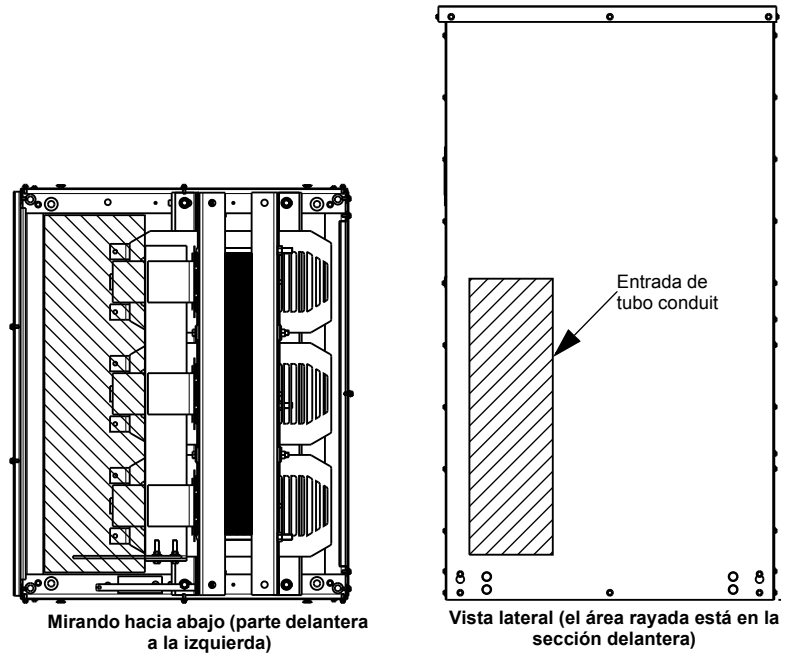
- ❑ Utilice conectores, tubo conduit y canalizaciones de cables flexibles, cuando sea posible, como conexiones a los gabinetes del transformador. Esto ayudará a reducir la generación de ruido audible.
- ❑ Cumpla con los requisitos del NFPA 70 (NEC) con respecto al espacio mínimo de doblez de los cables para el gabinete del transformador. Como un estándar de la industria, ate juntos los conductores de puesta a tierra del equipo, neutro y fases relacionados dentro del gabinete del transformador.
- ❑ Utilice siempre una llave de apriete prefijado calibrada para apretar las terminales y conectores eléctricos. Para obtener información adicional, consulte la norma UL468A.
- ❑ Asegúrese de que los conectores, tubo conduit y canalizaciones de cables entren al gabinete sólo por el área que se muestra en los dibujos. Los puntos de acceso para cada estilo de gabinete figuran a continuación:
 - Gabinete estilo D: (vea la figura 28)
 - Sección delantera del transformador
 - Acceso por la parte inferior y a por uno de los lados
 - Gabinete estilo E: (vea la figura 28)
 - Sección delantera del transformador
 - Acceso por la parte inferior y a por uno de los lados
 - Gabinete estilo H: (vea la figura 28)
 - Sección delantera del transformador
 - Acceso por la parte inferior y a por uno de los lados
 - Gabinete estilo K: (vea la figura 28)
 - Sección delantera del transformador
 - Acceso por la parte inferior y a por uno de los lados

Figura 28: Punto de acceso: Gabinetes estilos D, E, H y K



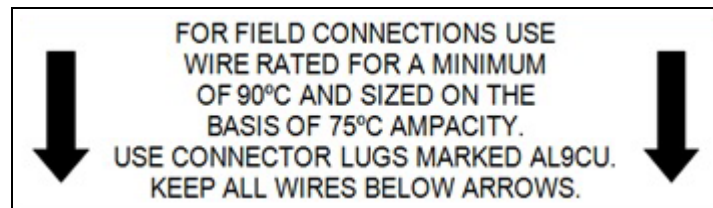
- Gabinete estilo F:
 - Sección inferior del transformador
 - Se ofrecen cámaras de conexión de aire si es necesario el acceso por uno de los lados
- Gabinete estilo J: (vea la figura 29)
 - Sección delantera del transformador
 - Acceso por uno de los lados
 - Acceso abierto por la parte inferior delantera a las abrazaderas del núcleo

Figura 29: Punto de acceso: Gabinete estilo J



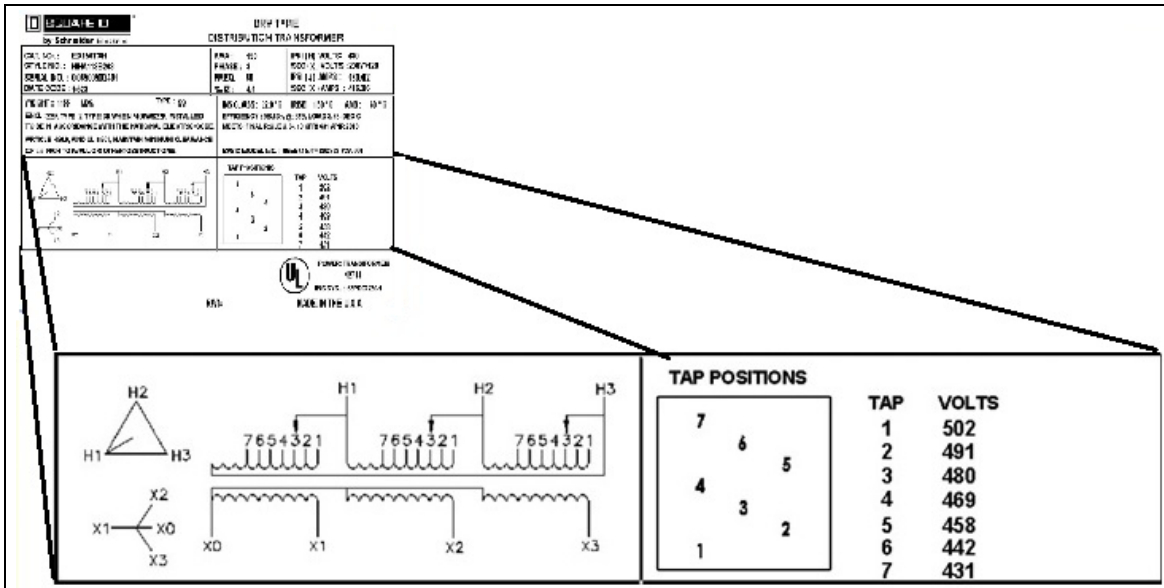
- Mantenga todos los puntos de acceso por debajo de la tarjeta de terminales superior para evitar que el calor salga a través de los conectores, tubo conduit y canalizaciones de cables. La calcomanía mostrará esta ubicación superior en todos los estilos de gabinete (también se muestra en los dibujos). Vea la figura 30.

Figura 30: Etiqueta que muestra la ubicación superior en los gabinetes (puntos de acceso por debajo de la tarjeta de terminales superior)



- ❑ Asegúrese de que el acceso por uno de los lados cumpla con los requisitos del NEC 312.6 (A): Espacio mínimo para el doblé de cables en las terminales. El acceso por la parte inferior debe cumplir con el NEC 312.6 (B): Espacio mínimo para el doblé de cables en las terminales.
- ❑ Cumpla con los requisitos de la norma UL 1561, que exige que todas las zapatas sean adecuadas para 90°C (194°F). Además, la temperatura de los conductores (según la tabla de valores nominales por tamaño) debe ser de 75°C (167°F) para que cumplan con los requisitos de corriente de los dispositivos de protección contra sobrecorriente y las corrientes especificadas en la placa de datos. Consulte la tabla 5 en la página 44, tabla 6 en la página 45 y tabla 7 en la página 46 para obtener una lista de los kits de zapatas marca Square D, tamaños de conductor por kVA y sistemas de tensión de EUA.
- ❑ Asegúrese de que la superficie de contacto esté limpia. Esto minimizará la posibilidad de un contacto de alta resistencia que podría causar calefacción localizada y posiblemente una falla prematura. Consulte Connections and Contact Surfaces en la página 38 para obtener instrucciones sobre cómo usar un compuesto eléctrico aprobado.
- ❑ Conecte las fases a las terminales adecuadas para obtener el giro correcto del motor. El diagrama de fases se muestra en la placa de datos. La placa de datos también muestra la ubicación de las derivaciones y su tensión nominal. Vea la figura 31.

Figura 31: Diagrama de fases, ubicación de las derivaciones y tensión nominal marcada en la placa de datos

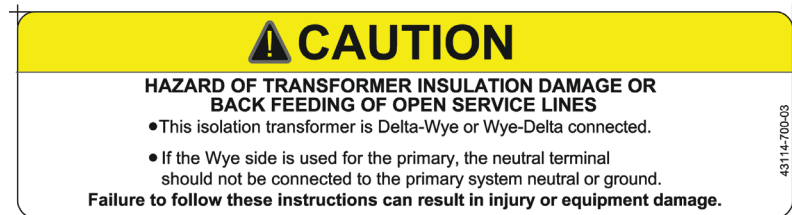


- ❑ La conexión de la fuente de alimentación al secundario del transformador es permitida según el NEC 450.11 donde la instalación cumple con las instrucciones del fabricante.

Cuando la fuente de alimentación está conectada al secundario del transformador, la corriente de irrupción aumentará. El dispositivo de protección contra sobrecorrientes debe seleccionarse en base NEC 450.3(B) utilizando un margen del 250% con el fin de reducir el disparo involuntario durante la energización. La protección contra sobrecorriente del secundario será necesaria.

No realice conexiones a las terminales HO o XO del lado de la fuente en un devanado del transformador configurado en estrella. Vea la figura 32.

Figura 32: Etiqueta de precaución para los transformadores conectados en delta-estrella o estrella-delta



Pruebas y controles previos a la puesta en servicio / energización

Limpeza

1. Asegúrese de retirar todo el material de embalaje, incluyendo el material de embalaje utilizado dentro del gabinete del transformador utilizado para soportar y proteger la unidad durante el transporte.
2. Aspire tanto polvo como sea posible. El polvo actuará como un aislante térmico que aumentará la temperatura de la unidad y posiblemente podría disminuir su vida útil. Consulte Limpieza en la página 40.

Controles visuales y mecánicos

Realice las siguientes comprobaciones visuales y mecánicas. Asimismo, consulte Controles visuales y mecánicos en la página 39 para obtener una lista detallada de instrucciones.

- Visualmente inspeccione el transformador para determinar si existen daños físicos. Repare cualquier daño físico, si es posible y proporcione barreras protectoras adecuadas para evitar daños futuros.
- Compare la información en la placa de datos del transformador con los dibujos y/o especificaciones para la instalación.
- Verifique la conexión correcta de las derivaciones de acuerdo con la información en la placa de datos.
- Compruebe el espacio libre necesario para realizar las conexiones eléctricas. Verifique que todas las conexiones estén bien apretadas con una llave de apriete prefijado calibrada.
- Revise visualmente el núcleo, marco, gabinete, tubo conduit, canalizaciones de cables y conductores, y asegúrese de que estén correctamente unidos a tierra. Además, consulte Unión y puesta a tierra en la página 42.

Pruebas eléctricas

⚠ PELIGRO

PELIGRO DE DESCARGA ELÉCTRICA, EXPLOSIÓN O DESTELLO POR ARQUEO

- Utilice equipo de protección personal (EPP) apropiado y siga las prácticas de seguridad en trabajos eléctricos establecidas por su Compañía, consulte la norma NFPA 70E. NOM-029-STPS-2011, o CSA Z462.
- Solamente el personal eléctrico calificado deberá instalar y prestar servicio de mantenimiento a este equipo.
- Asegúrese de leer y entender todas las instrucciones de este boletín antes de realizar cualquier trabajo en este equipo.
- Desenergice el equipo antes de realizar cualquier trabajo dentro o fuera de él.
- Siempre utilice un dispositivo detector de tensión nominal adecuado para confirmar la desenergización del equipo.
- Siga todos los procedimientos de bloqueo y etiquetado de acuerdo con los requisitos de OSHA.
- Inspeccione detenidamente el área de trabajo y retire las herramientas u objetos que hayan quedado dentro del equipo.
- Vuelva a colocar todos los dispositivos, las puertas y las cubiertas antes de energizar este equipo.
- Todas las instrucciones de este manual fueron escritas suponiendo que el cliente ha adoptado estas medidas de precaución antes de prestar servicios de mantenimiento o realizar una prueba.

El incumplimiento de estas instrucciones podrá causar la muerte o lesiones serias.

Consulte Servicio de mantenimiento en la página 39 para realizar las siguientes pruebas eléctricas previas a la puesta en servicio:

- Mida la resistencia de contacto utilizando un óhmetro de baja resistencia. Consulte Resistencia de los contactos en la página 41.
- Realice pruebas de resistencia de aislamiento con un dispositivo apropiado. Consulte Resistencia del aislamiento en la página 41.
- Realice una prueba de razón de vueltas en todas las derivaciones y en las tensiones plenas del devanado para cada fase. Consulte Razón de vueltas en la página 42.
- Mida y registre las resistencias del devanado en los transformadores más grandes (>500 kVA). Consulte Resistencia del devanado en la página 42.

Sección 5—Funcionamiento

⚠ PELIGRO

PELIGRO DE DESCARGA ELÉCTRICA, EXPLOSIÓN O DESTELLO POR ARQUEO

- Utilice equipo de protección personal (EPP) apropiado y siga las prácticas de seguridad en trabajos eléctricos establecidas por su Compañía, consulte la norma 70E de NFPA, Z462 de CSA o NOM-029-STPS-2011.
- Solamente el personal eléctrico calificado deberá instalar y prestar servicio de mantenimiento a este equipo.
- Asegúrese de leer y entender todas las instrucciones de este boletín antes de realizar cualquier trabajo en este equipo.
- Desenergice el equipo antes de realizar cualquier trabajo dentro o fuera de él.
- Siempre utilice un dispositivo detector de tensión nominal adecuado para confirmar la desenergización del equipo.
- Antes de realizar una inspección visual, pruebas o servicio de mantenimiento al equipo, desconecte todas las fuentes de alimentación eléctrica. Suponga que todos los circuitos están “vivos” hasta que hayan sido completamente desenergizados, probados y etiquetados. Preste particular atención al diseño del sistema de alimentación. Tome en consideración todas las fuentes de alimentación, incluyendo la posibilidad de retroalimentación.
- Siga todos los procedimientos de bloqueo y etiquetado de acuerdo con los requisitos de OSHA.
- Inspeccione detenidamente el área de trabajo y retire las herramientas u objetos que hayan quedado dentro del equipo.
- Vuelva a colocar todos los dispositivos, las puertas y las cubiertas antes de energizar este equipo.
- Todas las instrucciones de este manual fueron escritas suponiendo que el cliente ha adoptado estas medidas de precaución antes de prestar servicios de mantenimiento o realizar una prueba.

El incumplimiento de estas instrucciones podrá causar la muerte o lesiones serias.

Efectos de la humedad

El proceso estándar de baño y barniz horneado no permite el crecimiento de hongos. La única preocupación cuando las unidades se almacenan en áreas de alta humedad es la conservación de la integridad del material de aislamiento. Si las unidades se mantienen y limpian debidamente durante la desconexión, antes de largos períodos de desenergización no debería haber ningún problema con hongos.

Las condiciones de humedad no son de importancia mientras esté energizado el transformador. Sin embargo, siga los pasos de precaución delineados a continuación si el transformador está desenergizado, si se deja enfriar a la temperatura ambiente y si ha estado desconectado durante más de 12 horas (particularmente en condiciones de mucha humedad).

1. Coloque calefactores de cinta pequeños en la parte inferior de la unidad inmediatamente después de desconectarla para mantener su

temperatura unos cuantos grados por encima de la temperatura en el medio ambiente.

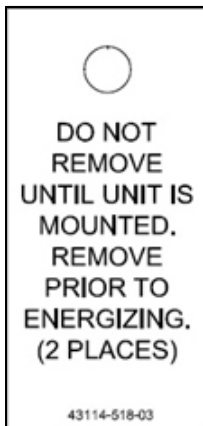
2. Inspeccione la unidad para ver si encuentra evidencia de humedad antes de regresarla al servicio.
3. Verifique la resistencia de aislamiento. Si existe evidencia de humedad, o si la resistencia de aislamiento es menor que 1 megohm, seque el transformador colocándolo en un horno o soplando aire caliente sobre él.

Temperatura del gabinete

La elevación de la temperatura en el exterior del gabinete de los transformadores ventilados no deberá exceder 50 °C (122 °F) excepto en los casos indicados en la norma UL 1561.

Antes de energizar los transformadores

Figura 33: Desmontaje de los soportes temporales



1. Retire los soportes temporales. Vea la figura 33.
2. Compruebe las conexiones eléctricas atornilladas. Consulte Conexiones eléctricas en la página 29 para obtener una lista de comprobaciones detalladas.
3. Quite la acumulación excesiva de suciedad de los devanados del transformador y aisladores para que circule el aire libremente y protegerlo para que no se rompa el aislamiento. Consulte Limpieza en la página 40 para obtener una lista de comprobaciones detallada.
4. Realice pruebas de resistencia de aislamiento con un dispositivo apropiado. Consulte Resistencia del aislamiento en la página 41 para obtener instrucciones detalladas.
5. Realice una comprobación visual y mecánica del transformador y su entorno. Consulte Controles visuales y mecánicos en la página 39 para obtener una lista de comprobaciones detallada.

Energización del transformador

1. Siga todas las precauciones de seguridad y requisitos de PPE como se describe en la norma NFPA 70E y otras normas o códigos aplicables.
 - a. De inmediato desenergice el transformador si existe alguna indicación de formación de arcos (visual o audible) en cualquier momento durante la puesta en servicio inicial.
 - b. Investigue y corrija la causa de la formación de arcos antes de volver a energizar la unidad.
2. Investigue y corrija las fuentes de ruido excesivo. Cuando está energizado, el transformador hará ruido audible. Excesivo ruido mecánico, zumbido o traqueteo puede ser una indicación de herrajes o piezas del gabinete incorrectamente instalados o apretados.

3. Mida y verifique las tensiones de fase a fase y fase a tierra del primario y secundario para todos los devanados.
 - a. Cuando fuese aplicable, también mida y verifique las tensiones de fase a neutro.
 - b. Anote y guarde los valores para referencia futura.

NOTA: Las mediciones de fase a fase, fase a tierra y fase a neutro comprobarán que el transformador está funcionando de acuerdo con las tensiones de la placa de datos.

- c. Mida las tensiones de fase a tierra.
- d. Anote y guarde los valores para referencia futura.

NOTA: Las tensiones de fase a tierra verificarán que la unidad se ha instalado correctamente.

4. Mueva una derivación a la vez, o compruebe que el puente esté conectado a tierra de acuerdo con el diagrama de alambrado que se muestra en la placa de datos. Vea la figura 31 en la página 29.

NOTA: No cambie las derivaciones cuando el transformador esté energizado.

- a. Ajuste las derivaciones del transformador como sea necesario para obtener los requisitos de la tensión real.
 - b. Asegúrese de que las derivaciones estén limpias de barniz u otro material aislante.
5. Realice una comprobación de la rotación de fases con un dispositivo adecuado para las cargas que son sensibles a errores de rotación de fases (por ejemplo, ciertas aplicaciones de motores o variadores).
 - a. Siga las instrucciones del fabricante para el dispositivo.
 - b. Corrija los errores de rotación de fases antes de energizar el transformador.

Sección 6—Servicio de mantenimiento

Controles visuales y mecánicos

▲ PELIGRO

PELIGRO DE DESCARGA ELÉCTRICA, EXPLOSIÓN O DESTELLO POR ARQUEO

- Sólo el personal calificado debe limpiar, inspeccionar, prestar servicio de mantenimiento y probar los transformadores.
- Desenergice el equipo antes de realizar cualquier trabajo en él.
- Desconecte y aisle eléctricamente la alimentación al transformador de manera que no haya contacto accidental con las piezas energizadas.
- Descargue todas las cargas estáticas que poseen las bobinas.

El incumplimiento de estas instrucciones podrá causar la muerte o lesiones serias.

1. Realice una inspección visual del transformador y su entorno.
 - a. Inspeccione el gabinete para determinar si hay daño físico.
 - b. Repare el daño, si es posible.
 - c. Proporcione protecciones para evitar daños en el futuro.
2. Anote los datos operacionales mientras que el transformador está energizado y en servicio.
3. Desenergice el transformador antes de realizar cualquier trabajo en la unidad.
 - a. Siga todos los procedimientos de seguridad para colocar la unidad en una condición eléctricamente segura.
 - b. Retire las cubiertas de acceso. Inspeccione el equipo para determinar:
 - suciedad en las superficies de aislamiento y en áreas en que la circulación del aire pueda ser restringido.
 - conexiones sueltas
 - la condición de los conmutadores de tomas o tarjetas de terminales.
 - la condición general del transformador.
4. Inspeccione el gabinete, transformador, terminales, tarjeta de terminales y aisladores para determinar si hay evidencia de sobrecalentamiento proveniente de fuentes internas o externas. Compruebe si hay deformaciones de tensión en las superficies del aislamiento, evidentes por rastro o carbonización.
5. Compruebe si hay evidencia de oxidación, corrosión y deterioro de la pintura. Repare los daños por oxidación y corrosión en caso de ser necesario.

Frecuencia

La frecuencia de inspección de los transformadores depende de las condiciones de funcionamiento.

En ubicaciones limpias y secas, una inspección al año será suficiente. Sin embargo, para otras ubicaciones por ejemplo en las que el aire está contaminado con partículas de polvo o humos químicos, es necesario inspeccionar el transformador cada tres o seis meses. Por lo general, después de unas cuantas inspecciones, un calendario de inspección más definitivo deberá ser programado en base a las condiciones existentes del transformador.

Eventos severos, ambientales o especiales

- ❑ Realice inspecciones, servicios de mantenimiento y pruebas de rutina después de haberse producido un cortocircuito eléctrico severo, falla a tierra o evento ambiental (por ej., inundación) para determinar el estado de funcionamiento del transformador.
- ❑ Realice las inspecciones, servicios de mantenimiento y pruebas si el transformador ha estado fuera de servicio durante un período largo de tiempo. Coloque calefactores de cinta para mantener la temperatura del transformador por encima de la temperatura ambiente para evitar que se forme condensación en el transformador durante el tiempo de inactividad.

Limpieza

Conexiones y superficies de contacto

Es importante que la superficie de contacto esté limpia, y que las terminales también estén limpias. Cuando los transformadores están instalados en interiores o exteriores, o bien, en un entorno severo, las conexiones deben estar selladas con un compuesto para juntas eléctricas aprobado.

Aplique el compuesto en la superficie de las conexiones expuestas antes de realizar las conexiones con tornillo.

Gabinetes, devanados y aisladores

1. Desenergice el transformador.
 2. Siga la lista de comprobaciones abajo para permitir que circule el aire libremente y para evitar roturas del aislamiento así como problemas con el rendimiento térmico.
- ❑ Limpie el gabinete, los devanados y aisladores del transformador aspirando o soplando nitrógeno o aire comprimido limpio y seco. Asegúrese de usar equipo de protección personal apropiado (PPE) al realizar procedimientos de limpieza.
NOTA: Como primer paso de limpieza se prefiere la aspiración. El aire comprimido deberá tener un punto de condensación de $-45,5^{\circ}\text{C}$ (-50°F) o menos, y una presión igual o inferior a 25 psi.
 - ❑ Limpie los soportes de los conductores, conmutadores de tomas, tarjetas de terminales, cojinetes y demás superficies de aislamiento principales con trapos que no dejen peluza o cepillos con cerdas suaves.
NOTA: No utilice líquidos, solventes o detergentes, ya que estos pueden deteriorar el material aislante.
 - ❑ Con cuidado inspeccione y limpie completamente las aberturas de ventilación (conductos) y ensambles de devanado. Retire las obstrucciones.
 - ❑ Retire la basura y/o material combustible del área alrededor de la unidad.

Pruebas eléctricas

⚠ PELIGRO

PELIGRO DE DESCARGA ELÉCTRICA, EXPLOSIÓN O DESTELLO POR ARQUEO

- Sólo el personal calificado debe limpiar, inspeccionar, prestar servicio de mantenimiento y probar los transformadores.
- Desenergice el equipo antes de realizar cualquier trabajo en él.
- Desconecte y aisle eléctricamente la alimentación al transformador de manera que no haya contacto accidental con las piezas energizadas.
- Descargue todas las cargas estáticas que poseen las bobinas.

El incumplimiento de estas instrucciones podrá causar la muerte o lesiones serias.

Realice las siguientes pruebas eléctricas durante los servicios de mantenimiento:

- Compruebe todos los contactos eléctricos con una llave de apriete prefijado calibrada.
- Asegúrese de que haya espacio apropiado.
- Consulte las especificaciones del fabricante para conocer los valores de par apriete.
- Revise todos los herrajes externos y asegúrese de que estén bien apretados.

Resistencia de los contactos

- Utilice un óhmetro de baja resistencia para medir la resistencia de los contactos.
 - a. Compare los valores con conexiones similares para ver si encuentra puntos de alta resistencia inusuales.
 - b. Investigue las conexiones que puedan desviarse de los valores comunes, más del 50% de los valores más bajos.
- Un dispositivo de exploración infrarroja (escáner) puede ser utilizado para buscar temperaturas anormales en los contactos del transformador para las unidades energizadas.

NOTA: Tenga cuidado de seguir los procedimientos del fabricante, ya que errores pequeños en el funcionamiento del escáner puede causar errores significativos en las temperaturas detectadas.

Resistencia del aislamiento

Los controles de la resistencia del aislamiento pueden crear una carga capacitiva en uno de los devanados.

1. Conecte a tierra cada devanado por lo menos un minuto entre las pruebas para agotar la carga estática creada durante la prueba.
2. Realice pruebas de resistencia del aislamiento con un dispositivo apropiado.
3. Realice pruebas de devanado a devanado y devanado a tierra.
4. Anote todos los resultados de las pruebas para comparar con lecturas futuras.
 - Los valores dependen del sitio de instalación y no son predeterminados de fábrica. Todas las pruebas deben cumplir con la norma NEMA ST-20.
 - Las lecturas de resistencia del aislamiento deberán ser de por lo menos 1 megohm.
 - Las lecturas inferiores pueden indicar la presencia de humedad y necesitarán un procedimiento de secado para corregirla.

Resistencia del devanado

En los transformadores grandes (>500 kVA):

1. Mida las resistencias del devanado y anótelas para usar como referencia futura.
2. Compare los resultados con los valores obtenidos durante las comprobaciones previas a la puesta en servicio. Las lecturas no deben variar más del 5% con las bobinas adyacentes y los controles previos a la puesta en servicio.
3. Anote la temperatura en la cual estas lecturas iniciales fueron tomadas.
 - Los valores dependen del sitio de instalación y no son predeterminados de fábrica. Todas las pruebas deben cumplir con la norma NEMA ST-20.
4. Ajuste los valores de resistencia en base a las diferencias en temperatura entre las lecturas actuales y los valores previos a la puesta en servicio.

Unión y puesta a tierra

1. Compruebe los valores correctos de resistencia entre la zapata (o punto) de tierra del sistema y el gabinete, núcleo, marco y abrazaderas del transformador.
2. Compare con los valores previos a la puesta en servicio, buscando tendencias que puedan indicar un compromiso en la calidad de la unión de tierra.

Razón de vueltas

1. Realice una prueba de razón de vueltas en todas las derivaciones y en las tensiones plenas del devanado para cada fase. Cambios significativos pueden indicar una pérdida de continuidad en el devanado.
 - a. Compare estos valores con aquellos obtenidos durante las comprobaciones previas a la puesta en servicio. Las tensiones entre las fases no deberán desviarse más del 0,5% de las bobinas adyacentes.
 - b. Investigue las lecturas anormales que se hayan encontrado fuera de este límite.
2. Verifique que las tensiones de entrada y salida sean las correctas para las tensiones de salida y derivación esperadas. Investigue las lecturas anormales.

Cojinetes aisladores de ruido

Inspeccione los cojinetes aisladores de ruido para ver si hay indicación de deterioro físico.

Conductos de enfriamiento de bobinas

1. Inspeccione todos los conductos de enfriamiento de bobinas para determinar si hay acumulación de polvo, suciedad o alguna otra obstrucción.
2. Siga los procedimientos normales de limpieza para asegurarse de que el aire circula adecuadamente.

Terminales

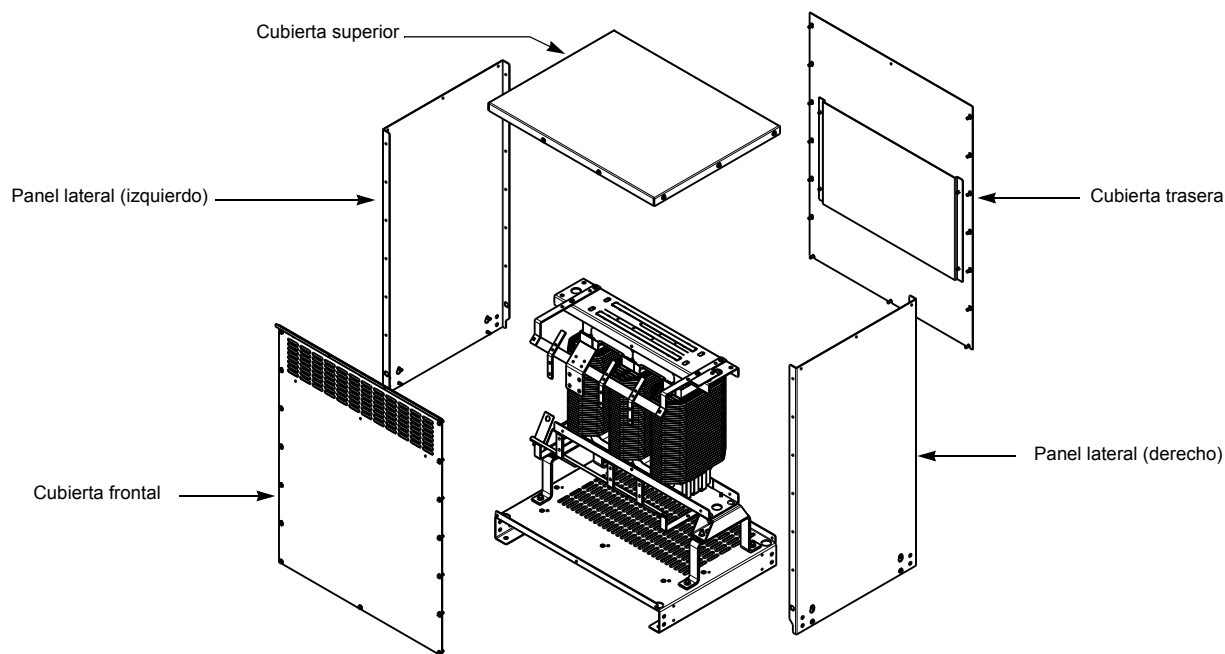
Asegúrese de que las terminales estén en buen estado para que los transformadores funcionen correctamente.

- Inspeccione las terminales: alineación, ajuste (consulte los requisitos de par de apriete), presión, quemaduras o corrosión. Investigue y corrija cualquier indicación de daño.
- Repare las picaduras livianas, siempre que el revestimiento metálico en las terminales pueda ser reparado.

Sección 7—Accesorios y piezas de repuesto

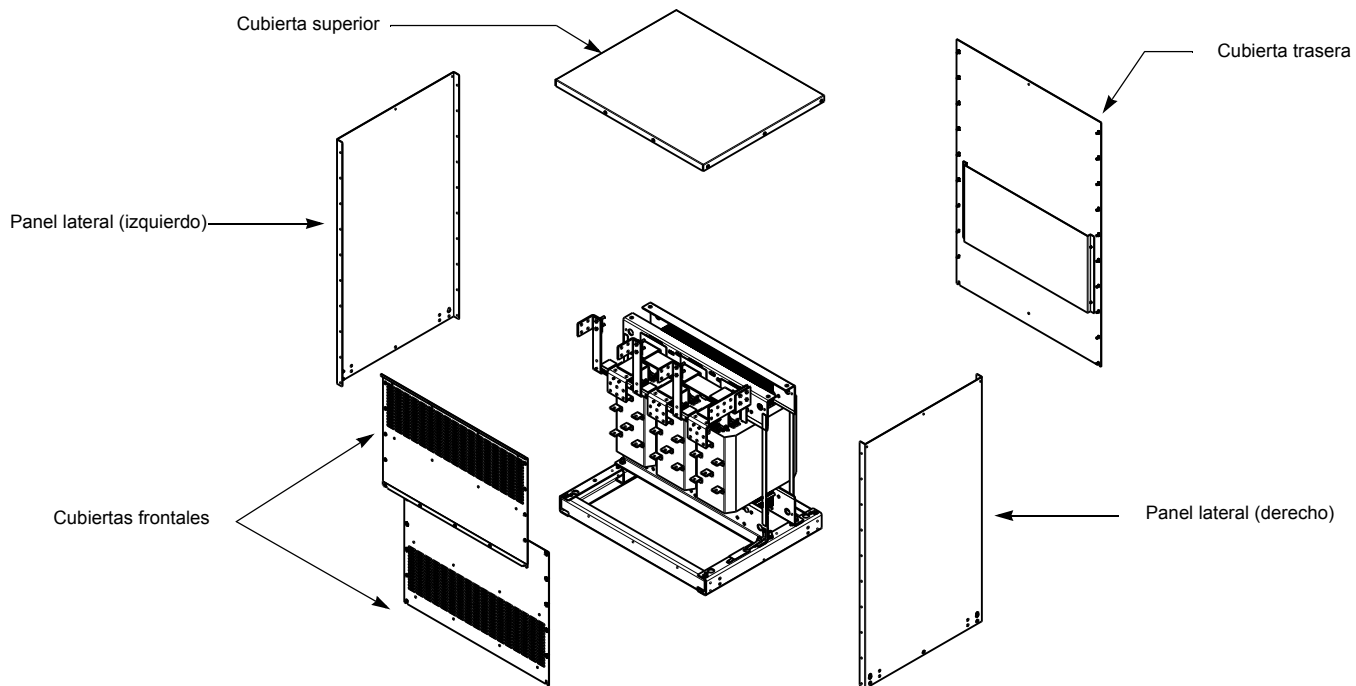
Consulte las figuras 34 y 35 para obtener detalles sobre las cubiertas (superior, trasera y delantera) y los paneles laterales (izquierdo y derecho) del transformador; y la figura 21 en la página 21 y la figura 22 en la página 22 para los soportes de montaje (pared y techo). Consulte la tabla 4 en la página 45 para obtener una lista de las piezas de repuesto y accesorios.

Figura 34: Detalles del ensamble para el transformador de eficiente energética EX75T3H con cubierta frontal de gabinete estilo 20K



ESPAÑOL

Figura 35: Detalles del ensamble para el transformador de eficiente energética EX300T3H con cubierta frontal de gabinete estilo 25J



Consulte el *Compendiado de Schneider Electric, sección 14*, Transformadores, o bien, llame al 1-888-778-2733 (ÉUA) para solicitar las piezas de repuesto y accesorios.

Consulte la tabla 4 para conocer los tipos de gabinete (cubiertas superior, frontal y trasera), paneles laterales, protecciones para intemperie y soportes de montaje (pared y techo).

Tabla 4: Cubiertas, paneles laterales, protecciones para intemperie y soportes de montaje

Gabinete	Cubierta superior	Cubierta posterior	Cubierta frontal	Panel lateral (izquierda y derecha)	Protección para intemperie	Soporte de montaje en pared	Soporte de montaje de techo
17D	4310191501	4310191601	4310191601	4310191701	WS363	WMB361362	CMB363
17E	4310191501	—	—	4310191701	—	WMB361362	CMB363
17H	4310191501	4305502003	4305502003	4310191702	WS363	WMB361362	CMB363
17K	7400TC17K	7400R17K	7400FNP17K	7400LR17K	7400WS17K	7400WMB17K	7400CMB17K
18D	4305502101	4305502001	4305502001	4305501001	WS363	WMB363364	CMB363
18E	4305502101	—	—	4305501001	—	WMB363364	CMB363
18H	4305502101	4305502003	4305502003	4310179701	WS363	WMB363364	CMB363
18K	7400TC18K	7400R18K	7400FNP18K	7400LR18K	7400WS18K	7400WMB18K	7400CMB18K
19D	4305501201	4305501101	4305501101	4305501001	WS364	WMB363364	CMB364
19E	—	—	—	—	—	—	—
19K	7400TC19K	7400R19K	7400FNP19K	7400LR19K	7400WS19K	7400WMB19K	7400CMB19K
20D	4305501201	4310192201	4310192201	4310179701	WS364	WMB363364	CMB364
20E	4305501201	—	—	4310179701	—	—	—
20K	7400TC20K	7400R20K	7400FNP20K	7400LR20K	7400WS20K	7400WMB20K	7400CMB20K
21D	4305512501	4300507404	4300507404	4305512601	WS364	—	CMB364
21E	4305512501	—	—	4305512601	—	—	CMB364
21K	7400TC21K	7400R21K	7400FNP21K	7400LR21K	7400WS21K	—	7400CMB21K
22D	4310189001	4310189102	4310189102	4310189201	WS380	—	CMB380
22E	4310189001	—	—	4310189201	—	—	CMB380
22K	7400TC22K	7400R22K	7400FNP22K	7400LR22K	7400WS22K	—	7400CMB22K
23E	—	—	—	—	—	—	—
24D	4310190701	4310190802	4310190802	4310190901	WS381	—	CMB381
24E	4310190701	—	—	4310190901	—	—	CMB381
24K	7400TC24K	7400R24K	7400FNP24K	7400LR24K	7400WS24K	—	7400CMB24K
25D	4310189901	4310190001	4310190001	4310190101	WS382	—	—
25E	4310189901	—	—	4310190101	—	—	—
25J	7400TC25J	7400R25J	7400FNP25J	7400LR25J	7400WS25J	—	—
26D	—	—	—	—	—	—	—
28D	—	—	—	—	—	—	—
28E	—	—	—	—	—	—	—
29D	—	—	—	—	—	—	—
30D	4310192601	(U)4310192901 (L)4310193001	(U)4310192901 (L)4310193001	4310192801	WS383	—	—
30E	4310192601	—	—	—	—	—	—
30J	7400TC30J	7400RU30J 7400RL30J	7400FU30J 7400FLNP30J	7400LR30J	7400WS30J	—	—
31D	—	—	—	—	—	—	—
31E	—	—	—	—	—	—	—
31J	7400TC31J	7400RU31J 7400RL31J	7400FU31J 7400FLNP31J	7400LR31J	7400WS31J	—	—

Pintura para retoques: Número de catálogo PK49SP

ESPAÑOL

Consulte la tabla 5 para obtener información sobre los kits de zapatas de transformador disponibles. Para obtener más información acerca de los conectores de terminales, consulte la etiqueta en el reverso del panel frontal del transformador. Vea la figura 36.

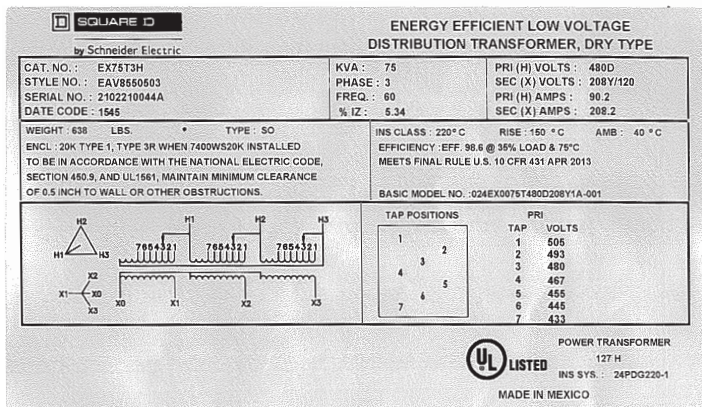
Tabla 5: Zapatas de compresión VERSAtile™ y tornillo de sujeción mecánica —zapatas AL9CU recomendadas por UL

Valor nominal del transformador en kVA	No. de catálogo del kit	Zapatas de terminal		Gama de conductores de aluminio o cobre (AWG o kcmil)	Herrajes incluidos	
		Cont.	Número de catálogo		Cont.	Tornillos de casquete
Zapatas de compresión del equipo VERSAtile						
15–37½ 1Ø	VCELSK1	8	VCCEL02114S1	#8–1/0	8	1/4 pulg x 1 pulg
15–45 3Ø		5	VCCEL030516H1	#4–300 kcmil	1	1/4 pulg x 2 pulg
50–75 1Ø	VCELSK2	13	VCCEL030516H1	#4–300 kcmil	8	1/4 pulg x 1 pulg
75–112½ 3Ø					8	1/4 pulg x 2 pulg
100–167 1Ø	VCELSK3	3	VCCEL030516H1	#4–300 kcmil	3	1/4 pulg x 3/4 pulg
150–300 3Ø		26	VCCEL07512H1	#500–750 kcmil de Al #500 kcmil de Cu		
500 3Ø	VCELSK4	34	VCCEL07512H1	#500–750 kcmil de Al #500 kcmil de Cu	21	3/8 pulg x 2 pulg

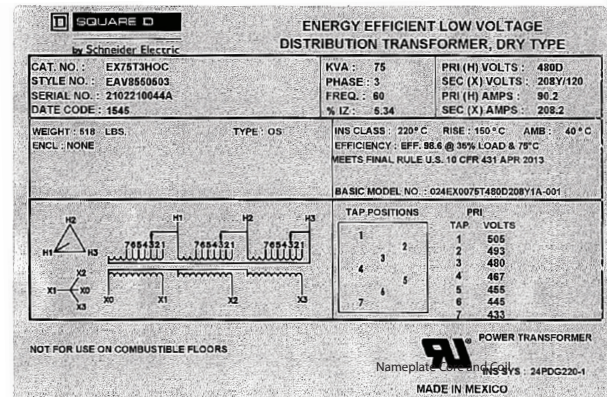
NOTA: Consulte la norma 486A de UL para obtener los valores de par de apriete de los herrajes de conexión de las zapatas.

Cada unidad incluye dos placas de datos. Vea la figura 36. Una en la cubierta frontal que es requerida por las normas, la segunda en el núcleo y bobina, proporcionando información sobre la instalación dentro de la unidad. La segunda placa lleva también el reconocimiento UL (UR) para el núcleo y la bobina, permitiendo que se desmonte el gabinete y que se instale el dispositivo en el equipo.

Figura 36: Ejemplo de placa de datos



En la cubierta frontal



En el núcleo y la bobina

Consulte la tabla 6 para obtener información sobre los kits de Square D para los siguientes transformadores tipo seco:

- Primario de una fase, secundario de una fase, primario en delta de tres fases, secundario de tres fases
- Primario y secundario de una fase, secundario en estrella de tres fases, delta de tres fases con derivación central

Tabla 6: Kits de zapatas marca Square D para transformadores tipo seco

Número de catálogo	Zapatas por kit	Tamaño de conductor	Tornillos de casquete	Gama de corriente	Zapatas de conexión a tierra por kit	Tamaño de conductor	Zapatas de unión por kit	Tamaño de conductor
Primario de una fase, secundario de una fase, primario en delta de tres fases, secundario de tres fases								
DASKP100	3	1/0–14 trenzado	1/4 pulg x 1 pulg	Hasta un máximo de 100 A	No aplicable	No aplicable	No aplicable	No aplicable
DASKP250	3	350 kcmil–6 trenzado	3/8 pulg x 2 pulg	101-250 A				
DASKP400	3	600 kcmil–4 trenzado (2) 250 kcmil–1/0 trenzado	3/8 pulg x 2 pulg	201-400 A				
DASKP600	6	600 kcmil–4 trenzado (2) 250 kcmil–1/0 trenzado	3/8 pulg x 2 pulg	601-800 A				
DASKP1000	9	600 kcmil–2 trenzado	3/8 pulg x 2 pulg	601-800 A				
DASKP1200	12	600 kcmil–2 trenzado	3/8 pulg x 2 pulg	801–1200 A				
Primario y secundario de una fase, secundario en estrella de tres fases, delta de tres fases con derivación central								
DASKGS100	5	1/0–14 trenzado	1/4 pulg x 1 pulg	Hasta un máximo de 100 A	1	(4) 2/0–14 trenzado	1	2–14 trenzado
DASKGS250	5	350 kcmil–6 trenzado	3/8 pulg x 2 pulg	101-250 A	1	(4) 2/0–14 trenzado	1	2–14 trenzado
DASKGS400	5	600 kcmil–4 trenzado (2) 250 kcmil–1/0 trenzado	3/8 pulg x 2 pulg	201-400 A	1	(4) 2/0–14 trenzado	1	1/0–14 trenzado
DASKGS600	10	600 kcmil–4 trenzado (2) 250 kcmil–1/0 trenzado	3/8 pulg x 2 pulg	601-800 A	1	(4) 350 kcmil–6 trenzado	1	250 kcmil–6 trenzado
DASKGS1000	15	600 kcmil–2 trenzado	3/8 pulg x 2 pulg	601-800 A	1	(4) 350 kcmil–6 trenzado	1	250 kcmil–6 trenzado
DASKGS1200	20	600 kcmil–2 trenzado	3/8 pulg x 2 pulg	801–1200 A	1	(4) 350 kcmil–6 trenzado	1	250 kcmil–6 trenzado
DASKGS2000	25	600 kcmil–2 trenzado	3/8 pulg x 2 pulg	1201-2000 A	1	(4) 350 kcmil–6 trenzado	1	250 kcmil–6 trenzado

NOTA: Las terminales no vienen con las unidades de transformador. Éstas deben adquirirse por separado.

Consulte la norma 486A de UL para obtener los valores de par de apriete de los herrajes de conexión de las zapatas.

Consulte la tabla 7 para obtener información sobre las zapatas de terminales mecánicas y de compresión y el tamaño de cable apropiado para los transformadores tipo seco.

NOTA: Todas las terminales aceptan zapatas NEMA de dos agujero.

Tabla 7: Tamaños de zapatas terminales mecánicas y de compresión, y tamaño de conductor

kVA	300 V y mayores		Por debajo de 300 V	
	Zapatas terminales mecánicas	Zapatas terminales de compresión	Zapatas terminales mecánicas	Zapatas terminales de compresión
15	2/0–14 AWG	(1) #12–10 AWG (1) #8–#1/0 AWG	2/0–14 AWG	(1) #8–#1/0 AWG
30	2/0–14 AWG	(1) #8–#1/0 AWG	350 kcmil–6 AWG	(1) #8–#1/0 AWG (1) #4–300 kcmil (1) 250–350 kcmil
45	2/0–14 AWG 350 kcmil–6 AWG	(1) #8–#1/0 AWG (1) #4–300 kcmil	350 kcmil–6 AWG (1) 600 kcmil–4 AWG o (2) igual a 250 kcmil–1/0 AWG	(1) 250–350 kcmil (1) #2/0–500 kcmil (2) #4–300 kcmil
75	2/0–14 AWG 350 kcmil–6 AWG	(1) #8–#1/0 AWG (1) #4–300 kcmil (1) 250–350 kcmil	(1) 600 kcmil–4 AWG o (2) igual a 250 kcmil–1/0 AWG	(2) #2/0–500 kcmil (1) 400–600 kcmil AI (2) #4–300 kcmil (2) 250–350 kcmil
112.5	350 kcmil–6 AWG (1) 600 kcmil–4 AWG o (2) igual a 250 kcmil–1/0 AWG	(1) 250 kcmil–350 kcmil (1) #2/0–500 kcmil (2) #4–300 kcmil	(2) 350 kcmil–6 AWG (2) 600 kcmil–2 AWG	(3) 250–350 kcmil (3) #4–300 kcmil (2) 400–600 kcmil AI
150	(1) 600 kcmil–4 AWG o (2) igual a 250 kcmil–1/0 AWG	(1) 250–350 kcmil (2) #4–300 kcmil	(3) 350 kcmil–6 AWG (2) 600 kcmil–2 AWG	(3) #2/0–500 kcmil (3) #4–300 kcmil (3) 400–600 kcmil AI (4) 250–350 kcmil
225	(1) 600 kcmil–2 AWG (2) 600 kcmil–2 AWG	(2) #2/0–500 kcmil (2) 400–600 kcmil AI (2) #4–300 kcmil	(3) 600 kcmil–2 AWG	(4) #4–300 kcmil (4) #2/0–500 kcmil
300	(2) 600 kcmil–2 AWG	(3) 250–350 kcmil (3) #2/0–500 kcmil (3) 400–600 kcmil AI	(4) 600 kcmil–2 AWG	(6) #2/0–500 kcmil (6) 400–600 kcmil AI
500	(3) 600 kcmil–2 AWG	(4) #4–300 kcmil (4) #2/0–500 kcmil	(6) 600 kcmil–2 AWG	(9) #2/0–500 kcmil (9) 400–600 kcmil AI
750	(4) 600 kcmil–2 AWG	(6) #2/0–500 kcmil (6) 400–600 kcmil AI	(9) 600 kcmil–2 AWG	(15) #2/0–500 kcmil (15) 400–600 kcmil AI

NOTA: Todas las terminales aceptan zapatas NEMA de dos agujero.

Consulte la tabla 8 para obtener información sobre los kits de barras de tierra marca Square D

Tabla 8: Kits de barras de tierra marca Square D

Número de catálogo	Zapatas de conexión a tierra por kit	Tamaño de conductor
DASKGTB100400	1	(4) 2/0–14 trenzado
DASKGTB6002000	1	(4) 350 KCMIL–6 trenzado

Importado en México por:
Schneider Electric México, S.A. de C.V.
Av. Ejercito Nacional No. 904
Col. Palmas, Polanco 11560 México, D.F.
55-5804-5000
www.schneider-electric.com.mx

Solamente el personal calificado deberá instalar, hacer funcionar y prestar servicios de mantenimiento al equipo eléctrico. Schneider Electric no asume responsabilidad alguna por las consecuencias emergentes de la utilización de este material.

© 1992–2015 Schneider Electric Reservados todos los derechos
Schneider Electric y Square D son marcas comerciales de Schneider Electric Industries SAS o sus compañías afiliadas. Todas las otras marcas comerciales son propiedad de sus respectivos propietarios.
43006-850-01 Rev. 02, 11/2015
Reemplaza 43006-850-01 Rev 01, 12/1992