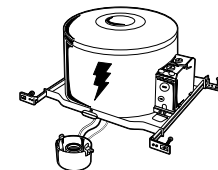
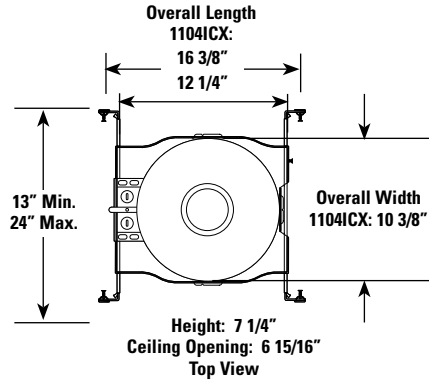
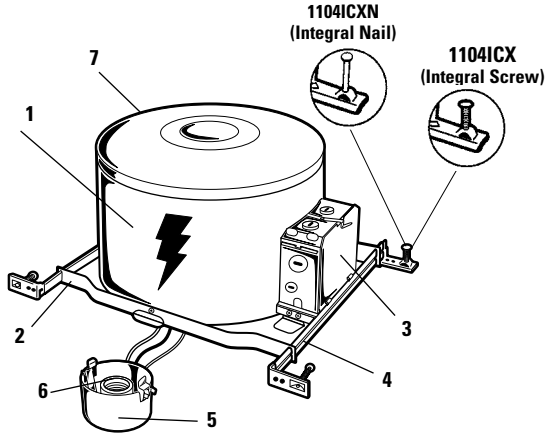


Project: _____
 Location: _____
 Cat.No: _____
 Type: _____
 Lamps: _____ Qty: _____
 Notes: _____



6 3/4" Aperture: Complete Fixture consists of Reflector Trim & Frame-In Kit. Select each separately.

Frame-In Kit	Reflector Trims — See Individual Reflector Trim Specification Sheets									
	Open Downlight						Adjustable		Enclosed Diffuser	Wall Washer
Reflector	Satin Cone	Sloped Ceiling	Baffles	Basic White	Cross Blade	Recessed Line Volt.	Recessed Low Volt.			
1104ICX	1143	1108†	1131	1105†	1170M1	1132	1129†	1155	1121	1185
1104ICXQ*	1144	1110†	1131WH	1105WH	1171		1129WH	1155WH	1124	1186
1104ICXN	1144CD		1131GD	1176	1116		1129CL†	1161	1126	1186WH
1104ICXNQ*			1131CL	1176WH			1129CD†	1161WH	1128	
	Cone:		1131BK	1179M1			1129GD†	1163	1134	
	1112†		1133	1179WH			1129BK†	1164	1178SH	
	1113†		1133WH	1117					1190	
	1113BK†		1133GD	1117WH			Eyeball:			
	1113CD†		1133CL	1105BNM			1122		Open Wet	
	1113WH		1133BK	1154 Series			1122WH		1184WH	
							1123		1184CD	
							1123WH			
							1182			

†Add NM to catalog number for Natural Metal flange and finish.

*Supplied with integral push-In wire connectors

Features

- Housing:** .032" (#20 ga.) aluminum. UL listed for direct contact with thermal insulation. AirSeal® housing minimizes air leak-age to less than 2 CFM at 1.57 PSF (or 75pa), which complies with Model Energy Code (Section 602.3.3) and Washington State Energy Code (Section 502.4) and reduces heat loss and condensation in ceiling. Access door for inspection of junction box.
- Mounting Frame:** .032 (22ga.) galvanized steel. Accommodates ceilings up to 1" thick. 3/8" deep integral lip. Locks into position along length of mounting bars with locking screws and bendable slot. Four slots are positioned 90° apart to simplify alignment. Push-in/twist-out roto-clips hold reflector flush to ceiling.
- Junction Box:** 2" X 4" X 3 1/2" (22 cu. in.) .032" (#22 ga.) galvanized steel. UL listed for maximum of 6 (#12 ga.) 90°C through branch circuit conductors. Integral cable clamps permit attachment of non-metallic (#12 or #14 ga.) Romex® cable without tools or additional connectors.

- Mounting Bars:** .059" (#16 ga.) galvanized steel. Bars pivot for easy attachment and wire-in below ceiling line. Bars extend to accommodate 16" to 24" O.C. joist spacing. Bars can accommodate 12" O.C. joist spacing after a slight field modification (see Instruction Sheet). 1104ICX features integral self tapping phillips screws for secure attachment to wood or metal construction. 1104ICXN features integral nails for secure attachment to wood. Both attach to T-bar ceilings without the need of accessories.
- Socket Housing:** Impact extruded aluminum or galvanized steel.
- Socket:** Porcelain medium base; nickel plated screw shell. Pre-wired with #18 ga. SF1 (300 Volt 200° C) leads to junction box.
- Thermal Protector:** Meets NEC and UL requirements. DIMM. Located inside housing.

1104ICX Lytening INC 6 3/4"

AirSeal IC Frame (high watt)

Options & Accessories

Extra-Thick Ceiling Mounting Ring: 1967A - up to 2" thick ceilings

AirSeal® is a registered trademark of Lightolier.

Romex® is a registered trademark of General Cable Industries Inc.-

Labels

UL (Type I.C., Suitable for Damp Location), I.B.E.W.

Complies with Air Leakage Requirements stated in the Model Energy Code, California Title 24 and the Washington State Energy Code.

