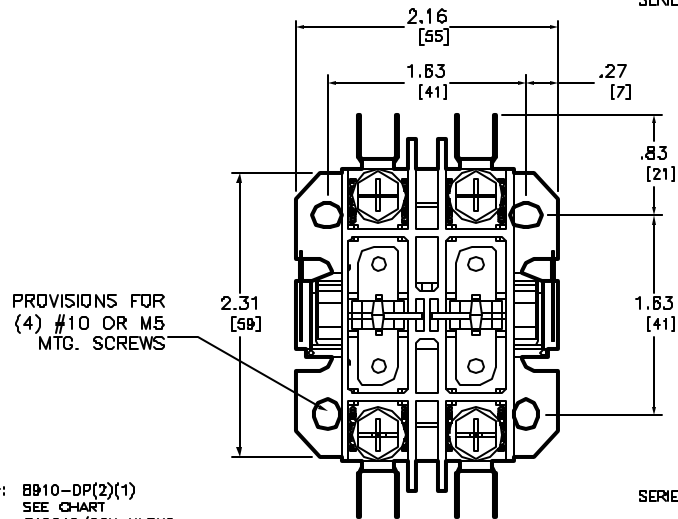
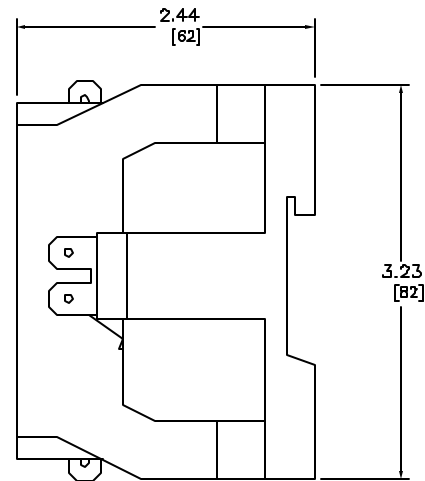
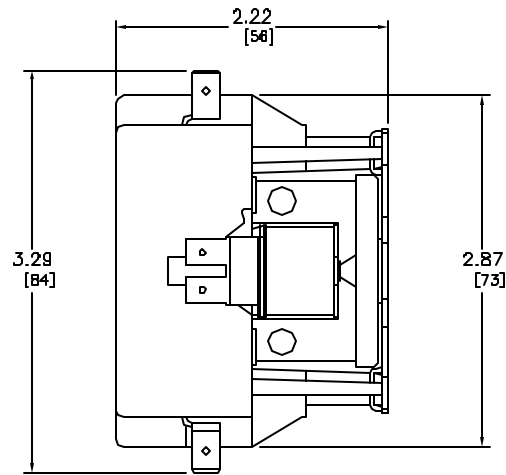


SERIES A



SERIES B



2-POLE DEFINITE PURPOSE - 600 VAC, 50-60 HZ

FULL LOAD AMPERES CODE (2)	
TYPE	FLA
12	20 FLA
22	25 FLA
32	30 FLA
* 42	40 FLA

COIL VOLTAGE CODE (1)	VOLTAGE	
	60 HZ	50 HZ
V14	24	24
V02	120	110
V09	208-240	220
V04	277	-
V06	480	440
V07	600	560

QUICK CONNECT TERMINALS AND BINDER HEAD SCREWS FOR EASY WIRING.

\* - BOX LUGS #14-#8 AWG WIRE SIZE

Catalog Number: 8810-DP(2)(1)  
 Ratings: SEE CHART  
 UL File/CCN: E42240/CCN NLDX2  
 CSA File/Class: LR25490/3211D4  
 Meets Standards: -  
 Weight: 0.50 LB  
 Wire Size: POWER - #14-#8  
 Terminal torque: 2016.-in  
 Mounting Hwd.: (4) #10 or M5 screws

DUAL DIMENSIONS: INCHES  
 MILLIMETERS

DEFINITE PURPOSE CONTACTOR (2 POLE)  
 GLASS 8810 TYPE DP(2X1)



DWG# E0310101-01  
 NO.