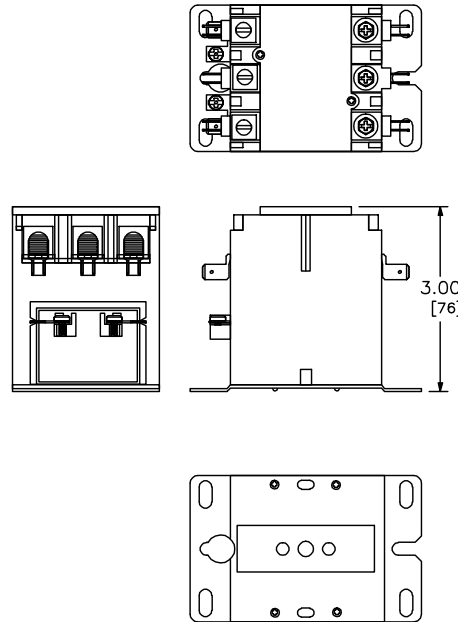
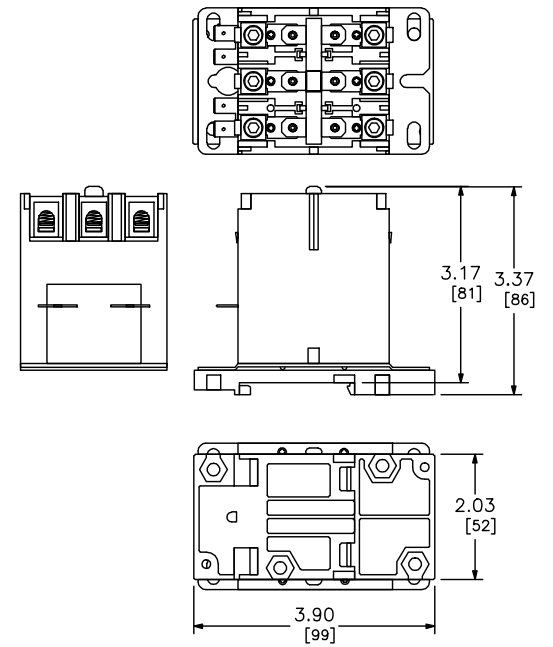


NO COVER NO DIN



WITH COVER NO DIN



NO COVER WITH DIN

CONTACTOR, 3 POLE
8910DPA 20-40A



DWG# PWCTR-LP5F-0003
NO.