



A B C G R

► Models LP3P, LP3S, LP3T

## StreamLine® Low Profile Strobe Light

Model LP3 is offered in three mounting configurations. LP3P features an integrated 1/2-inch NPT pipe mount. LP3S features a three-hole surface mount — ideal for control panels and other flat or flush surfaces. The “T-mount” LP3T has a popular 2-hole design for wall or flush mounting.

Both the LP3S and LP3T include a surface gasket to complete the Type 4X installation. An optional dome guard is available for use with the LP3S and LP3T. All LP3 units feature a threaded screw-on lens that allows tool-free wiring and strobe tube replacement.

StreamLine® strobes feature high-quality, long-life strobe lamps which are designed to reduce tungsten build-up for longer lamp maintenance cycles. Careful consideration is given to the relationship between lamp shape and lens design for maximum light output. StreamLine products make use of surface mount technology, which provides a more powerful light in a much smaller package. The dry-electrolyte capacitor used in StreamLine products runs cooler than those used in many competitive strobes, resulting in a more reliable product that won't fail due to overheating.

### FEATURES

- Available in 12-48VDC, 120VAC and 240VAC
- Surface mount, T-mount, or integrated 1/2-inch NPT pipe mount
- Five dome colors: Amber, Blue, Clear, Green and Red
- Screw-on lens
- Type 4X, IP66 enclosure
- PLC and triac compatible
- Optional dome guard for LP3S and LP3T
- UL and cUL Listed, and CSA Certified

MODEL	VOLTAGE	OPERATING CURRENT	FLASH RATE/ MINUTE	CANDELA	
				PEAK <sup>1</sup>	ECP <sup>2</sup>
<b>LP3 * -012-048 **</b>	12-48VDC	0.44-0.10 amps	65-95	175,000	51.5
<b>LP3 * -120 **</b>	120VAC	0.10 amps	65-95	175,000	51.5
<b>LP3 * -240 **</b>	240VAC	0.07 amps	65-95	175,000	51.5

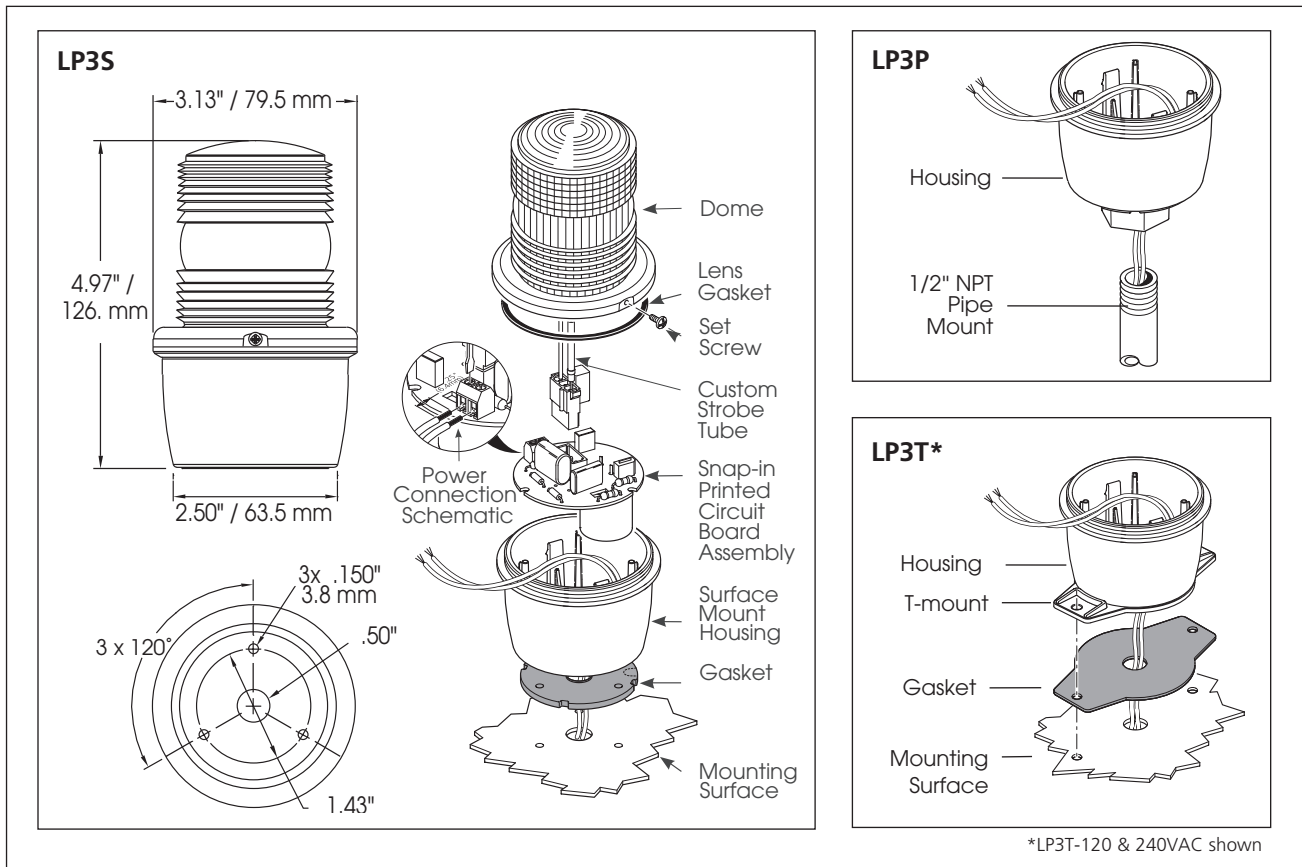
\*Indicates Mounting Style: (S) Surface Mount, (P) Pipe Mount, (T) T-Mount

\*\* Indicates color: (A) Amber, (B) Blue, (C) Clear, (G) Green or (R) Red

<sup>1</sup> Peak candela is the maximum light intensity generated by a flashing light during its light pulse

<sup>2</sup> ECP (Effective Candela) is the intensity that would appear to an observer if the light were burning steadily

## StreamLine® Low Profile Strobe Light (LP3S/LP3P/LP3T)



\*LP3T-120 & 240VAC shown

### SPECIFICATIONS

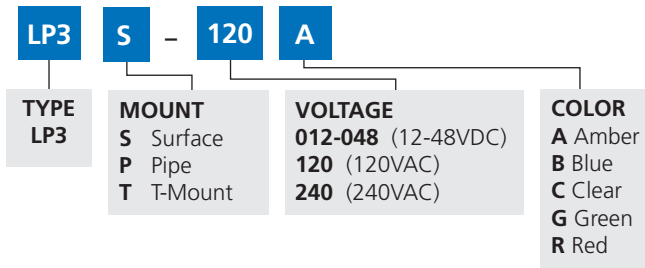
Lamp Life:	4,000 Hours	
Light Source:	Strobe tube	
Operating Temperature:	-31°F to 151°F	-35°C to 66°C
Net Weight:	0.23 lbs	0.1 kg
Shipping Weight:	0.6 lbs	0.27 kg
Height:	2.61"	66.3 mm
Width:	2.33"	59.2 mm
Length:	5.05"	128.3 mm

### REPLACEMENT PARTS

Description	Part Number
Dome, Amber	K8589063A
Dome, Blue	K8589063A-01
Dome, Clear	K8589063A-02
Dome, Green	K8589063A-03
Dome, Red	K8589063A-04
Strobe Tube	K149130A
Gasket Kit <sup>1</sup>	K858900353A

<sup>1</sup> Includes gasket for LP3S and LP3T

### HOW TO ORDER



### OPTIONAL ACCESSORIES

Description	Part Number
Wire/Dome Guard for LP3S and LP3T	LP3G

