



[Catalog Home](#)

Product Datasheet


ANDERSON FARGO

HAS252N -- Suspension Clamp



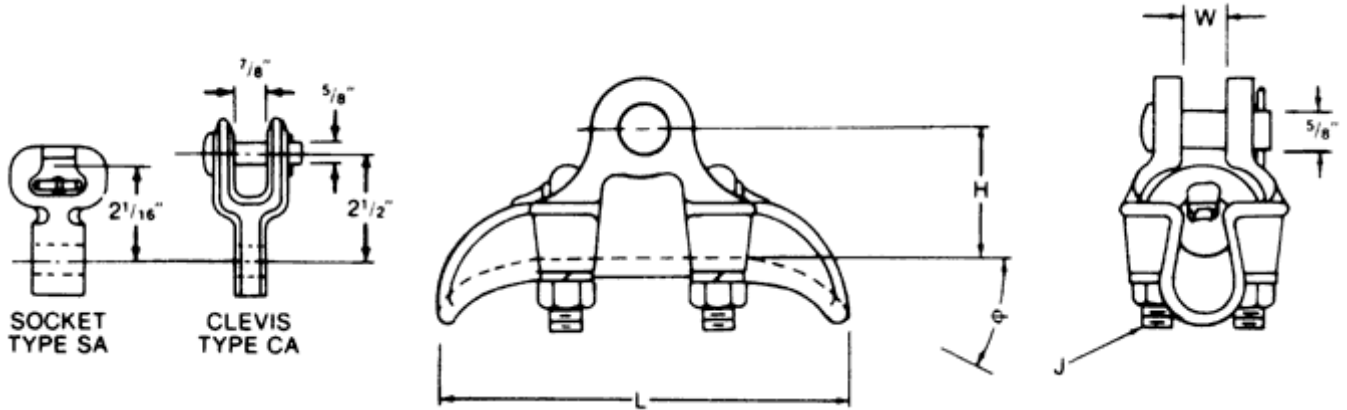
Suspension Clamp, Aluminum, for use with conductors 2 - 2.52 with fitting: None

Product Specifications

Series	 <p>HAS series Standard Voltage Aluminum</p>
PDF Catalog Page	Click HERE to view the web page.
Fitting	None
Clamp Material	Aluminum
Fitting Catalog No.	-
Ultimate Body Strength	30,000 lbs (13,608 kgs)
Maximum Take-off Angle 0	17.5
Dimension H	4.25 in (108.0 mm)
Dimension J	0.625 in (15.9 mm)
Dimension L	12.0 in (305 mm)
Dimension W	2.69 in (68.3 mm)
Hardware Material	Galvanized Steel
Minimum - Maximum Conductor Size	AAC 1250 kcmil (91) w/Armor Rods Thru AAC 2000 kcmil (127) w/Armor Rods ACSR 1113.0 kcmil (54/19) w/Armor Rods Thru ACSR 1869.0 kcmil (68/7) w/Armor Rods ACAR 1277.0 kcmil (54/7) w/Armor Rods Thru ACAR 1933.0 kcmil (42/19) w/Armor Rods
Clamping Range	2.00 - 2.52 in (50.80 - 64.01 mm)
Voltage Application	Standard
Material Type	Non-Standard
UPC Code	09635931510
Standard Package	1
Standard Package Unit	Each
Min Order Qty	1
Weight / Ea.	8.82 lbs

Compressed Product Number

HAS252N



[Catalog Home](#)



[Warranty Info](#) | [Trademarks](#) | [Terms of Use](#)

All contents Copyright © 2007 Hubbell Power Systems, Inc. All rights reserved.

NOTE: Because Hubbell has a policy of continuous product improvement, we reserve the right to change design and specifications without notice.