



Product Datasheet


ANDERSON FARGO

CFS18214N -- Suspension Clamp



Suspension Clamp, Aluminum, EHV or Std Voltage, for use with conductors 1.55 - 1.82 with fitting: None

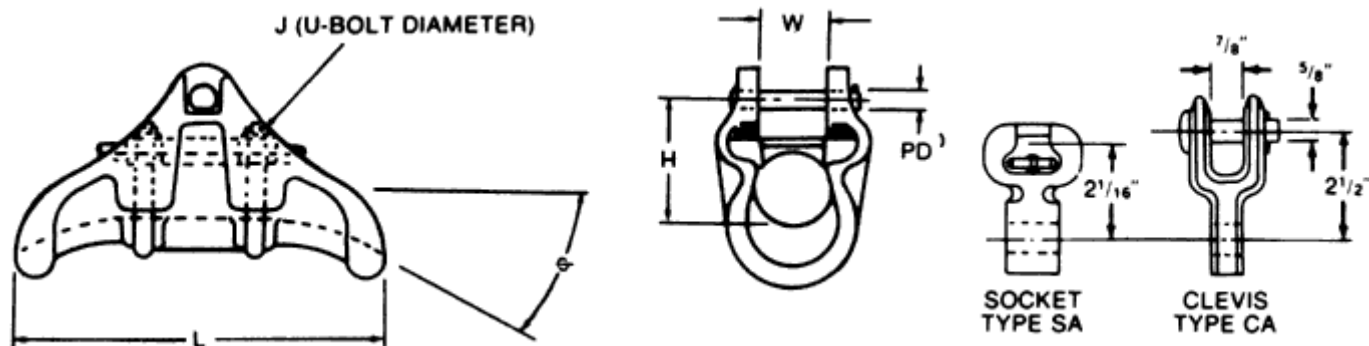
Product Specifications

Series	 CFS-L series EHV or Standard Voltage Aluminum for use w/o armor rods
PDF Catalog Page	Click HERE to view the web page.
Fitting	None
Clamp Material	Aluminum
Fitting Catalog No.	-
Ultimate Body Strength	25,000 lbs (11,340 kgs)
Maximum Take-off Angle 0	17.5
Dimension H	3.25 in (82.6 mm)
Dimension J	0.500 in (12.7 mm)
Dimension L	14.0 in (356 mm)
Dimension W	1.97 in (50.0 mm)
Dimension PD	0.625 in (15.9 mm)
Hardware Material	Galvanized Steel
Minimum - Maximum Conductor Size	AAC 1900 kcmil (127) Thru AAC 1033.5 kcmil (61) w/Armor Rods AAAC 740.8 kcmil str (37) w/Armor Rods Thru AAAC 932.6 kcmil str (37) w/Armor Rods ACSR 1780.0 kcmil (84/19) Thru ACSR 954.0 kcmil (54/7) w/Armor Rods ACAR 1933.0 kcmil (42/19) Thru ACA
Clamping Range	1.55 - 1.82 in (39.37 - 46.23 mm)
Voltage Application	EHV

Material Type	Non-Standard
UPC Code	09635929882
Standard Package	1
Standard Package Unit	Each
Min Order Qty	1
Weight / Ea.	6.37 lbs

Compressed Product Number

CFS18214N



[Catalog Home](#)



[Warranty Info](#) | [Trademarks](#) | [Terms of Use](#)

All contents Copyright © 2007 Hubbell Power Systems, Inc. All rights reserved.

NOTE: Because Hubbell has a policy of continuous product improvement, we reserve the right to change design and specifications without notice.