

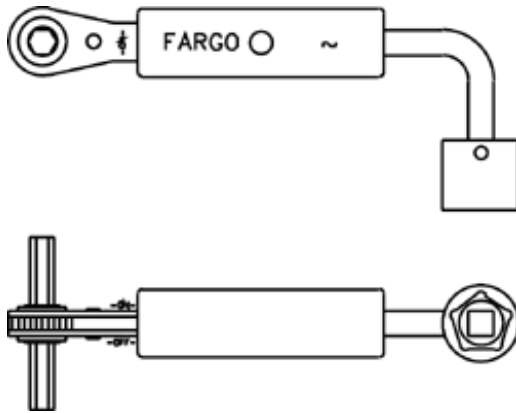


[Catalog Home](#)

Product Datasheet

ANDERSON FARGO

GP2090P90 -- Fargo Lineman's Wrench



Fargo Lineman's Wrench, 3/8" Allen Ratchet and 90 Penta Socket

Product Specifications

Series



GP Series
Hand "Speed" Wrenches for
installing bolted and
mechanical connectors

PDF Catalog Page

[Click HERE to view the web page.](#)

End A Type

Allen Ratchet - 3/8" x 1.21" long

End B Type

90 degree Penta Socket

End A Size

3/8"

End "A" Dimension C

1.21" (31 mm)

End "B" Dimension C

2.50" (64 mm)

Dimension L

9.25" (235 mm)

Material Type

Non-Standard

UPC Code

09635931262

Standard Package

5

Standard Package Unit

Each

Min Order Qty

5

Weight / Ea.

0.98 lbs

Notes

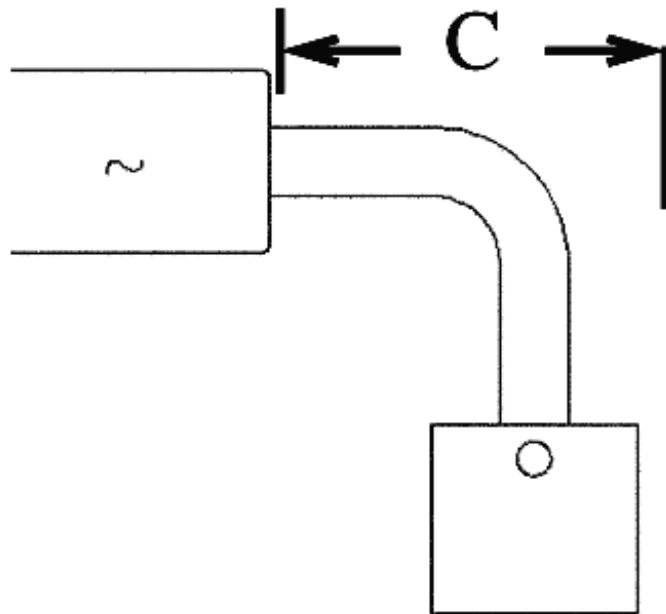
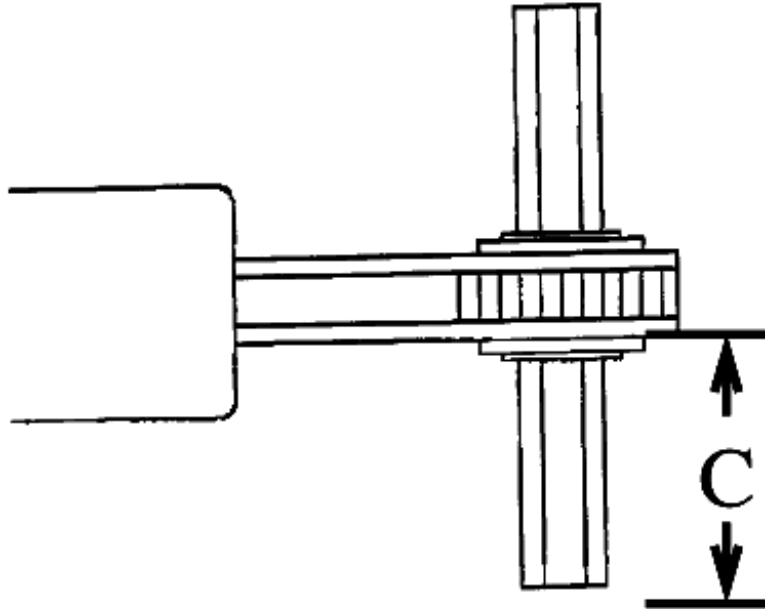
Specifically constructed for proper and fast installation of mechanical connectors.

Features

Sturdy polypropylene handle provides protection from incidental contact.

Compressed Product Number

GP2090P90



Catalog Home



[Warranty Info](#) | [Trademarks](#) | [Terms of Use](#)

NOTE: Because Hubbell has a policy of continuous product improvement, we reserve the right to change design and specifications without notice.