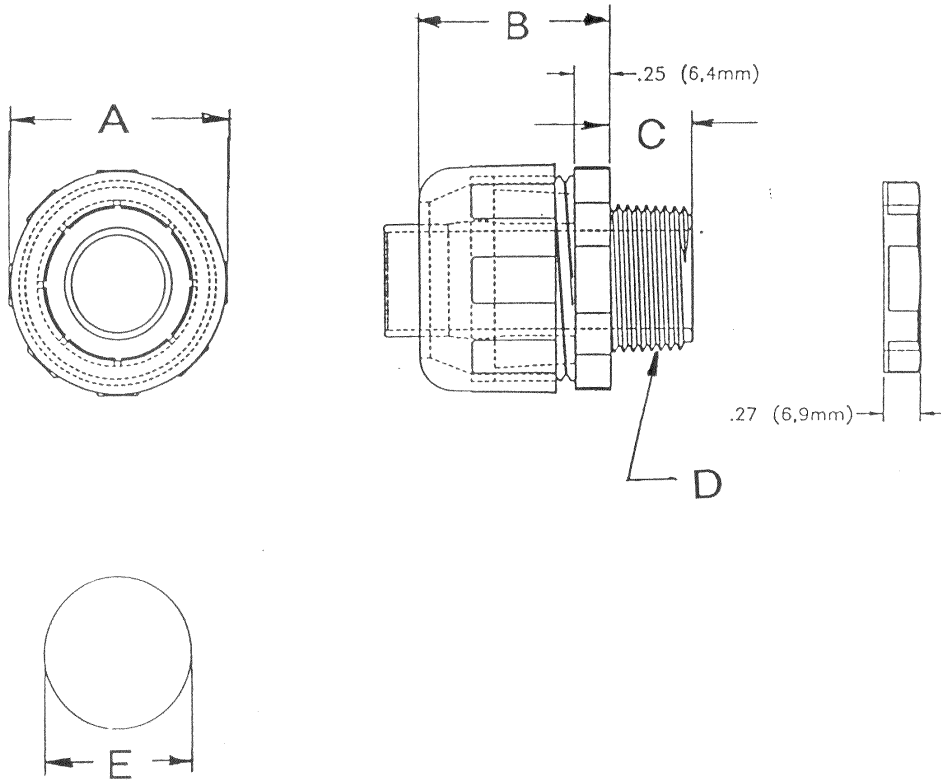


Carlton®



MOUNTING HOLE

PART NO.	SIZE	DIA. A	DIM. B	DIM. C	THREAD D	DIA. E
LT38	3/8"	1.40 [35.6]	1.33 [33.8]	.62 [15.9]	1/2" NPT	.875 [22.2]
LT50	1/2"	1.40 [35.6]	1.33 [33.8]	.62 [15.9]	1/2" NPT	.875 [22.2]
LT75	3/4"	1.65 [42]	1.41 [35.8]	.62 [15.9]	3/4" NPT	1.109 [28.2]
LT100-CAR	1"	1.93 [49]	1.47 [37.3]	.78 [19.8]	1" NPT	1.375 [35]

GENERAL NOTES

- ALL DIMENSIONS ARE FOR REFERENCE ONLY.
- DIMENSIONS IN BRACKETS [] ARE IN METRIC UNITS.

REVISIONS

** SEE ERN (****) FOR APPROVAL SIGNATURES & RELEASE DATE.
PROJECT NO: ****

Thomas & Betts
www.tnb.com

DESCRIPTION: **HEYCO - CONNECTOR - FLEX - BLACK**

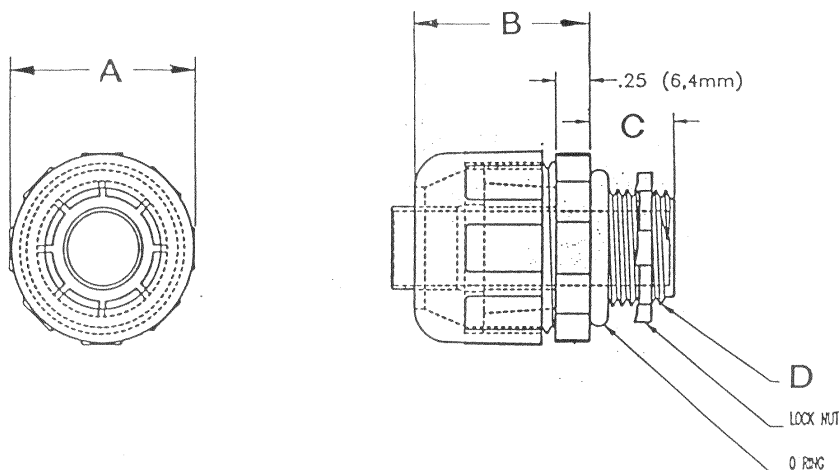
ORIGINAL PROJECT NO / (ERN NO)
/ ()

SHEET NO:
1 OF 8

REV. NO:
B

DRAWING NO:
WSD-AC03717

Carlton®



MOUNTING HOLE

DIMENSIONS ARE IN INCH/MILLIMETERS

PART NO.	SIZE	DIA. A	DIM. B	DIM. C	THREAD D	DIA. E
LT38G	3/8"	1.40 [35.6]	1.33 [33.8]	.62 [15.9]	1/2" NPT	.875 [22.2]
LT50G	1/2"	1.40 [35.6]	1.33 [33.8]	.62 [15.9]	1/2" NPT	.875 [22.2]
LT75G	3/4"	1.65 [42]	1.41 [35.8]	.62 [15.9]	3/4" NPT	1.109 [28.2]
LT100G	1"	1.93 [49]	1.47 [37.3]	.78 [19.8]	1" NPT	1.375 [35]

Thomas & Betts
www.tnb.com

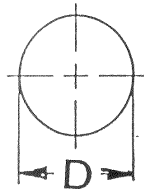
DESCRIPTION: **HEYCO - CONNECTOR - FLEX - GRAY**

SHEET NO:
2 OF 8

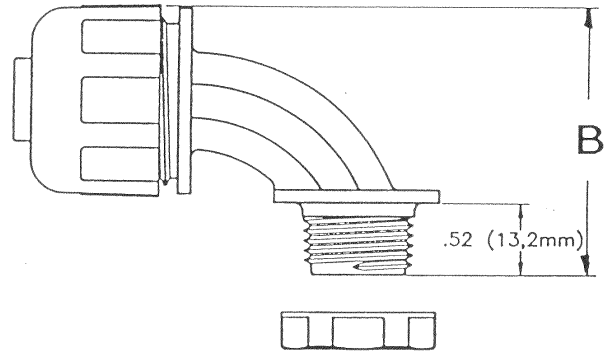
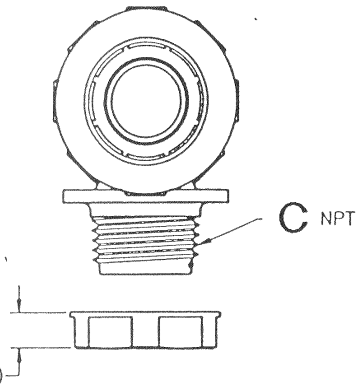
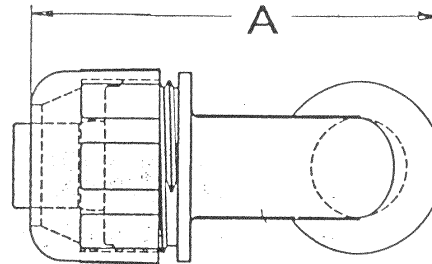
REV. NO:
B

DRAWING NO:
WSD-AC03717

Carlton®



MOUNTING HOLE



DIMENSIONS ARE IN INCH/MILLIMETERS

PART NO.	SIZE	DIA. A	DIM. B	THREAD C	DIA. D
LT938	3/8"	2.91 [73.9]	1.98 [50.3]	1/2" NPT	.875 [22.2]
LT950-CAR	1/2"	2.91 [73.9]	1.98 [50.3]	1/2" NPT	.875 [22.2]
LT975	3/4"	3.17 [80.5]	2.29 [58.2]	3/4" NPT	1.109 [28.2]

Thomas & Betts
www.tnb.com

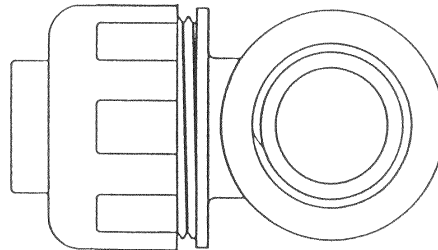
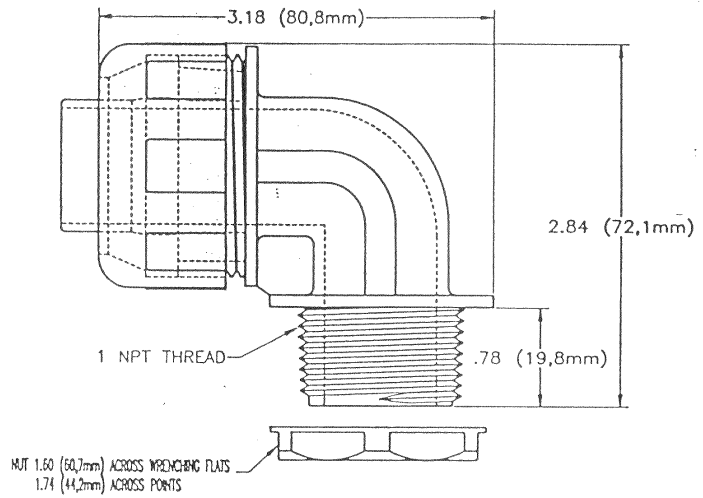
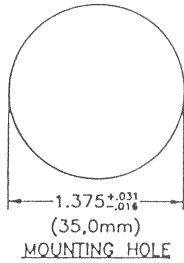
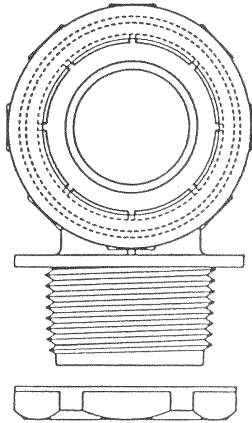
DESCRIPTION: **HEYCO - CONNECTOR - SWEEP
FLEX - BLACK**

SHEET NO:
3 OF 8

REV. NO:
B

DRAWING NO:
WSD-AC03717

Carlton®



DIMENSIONS ARE IN INCH/MILLIMETERS

P/N LT9100

Thomas & Betts
www.tnb.com

DESCRIPTION:

**HETCO - CONNECTOR
SWEEP - FLEX - BLACK**

SHEET NO:

4 OF 8

REV. NO:

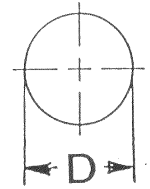
B

DRAWING NO:

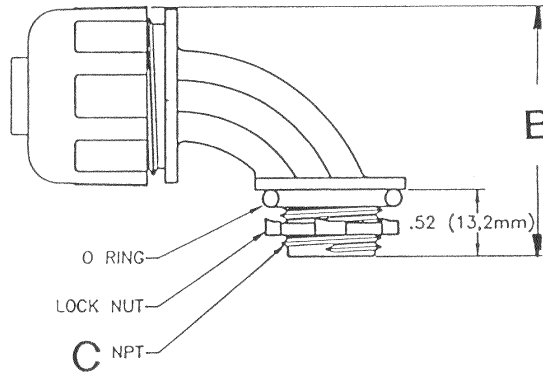
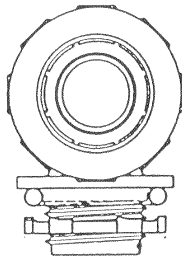
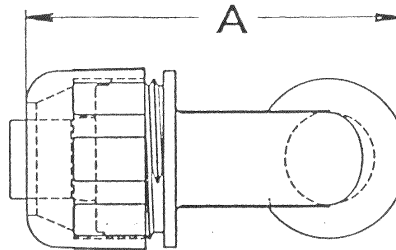
WSD-AC03717

THIS DRAWING IS INTENDED FOR DESCRIPTIVE PURPOSES ONLY. AND THE RIGHT IS RESERVED TO DEVIATE FROM ANY OF THE DETAILS SHOWN HEREON.
© 2008 Thomas & Betts - Proprietary. All Rights Reserved

Carlton®



MOUNTING HOLE



DIMENSIONS ARE IN INCH/MILLIMETERS

PART NO.	SIZE	DIA. A	DIM. B	THREAD C	DIA. D
LT938G	3/8"	2.91 [73.9]	1.98 [50.3]	1/2" NPT	.875 [22.2]
LT950G	1/2"	2.91 [73.9]	1.98 [50.3]	1/2" NPT	.875 [22.2]
LT975G	3/4"	3.17 [80.5]	2.29 [58.2]	3/4" NPT	1.109 [28.2]

Thomas & Betts
www.tnb.com

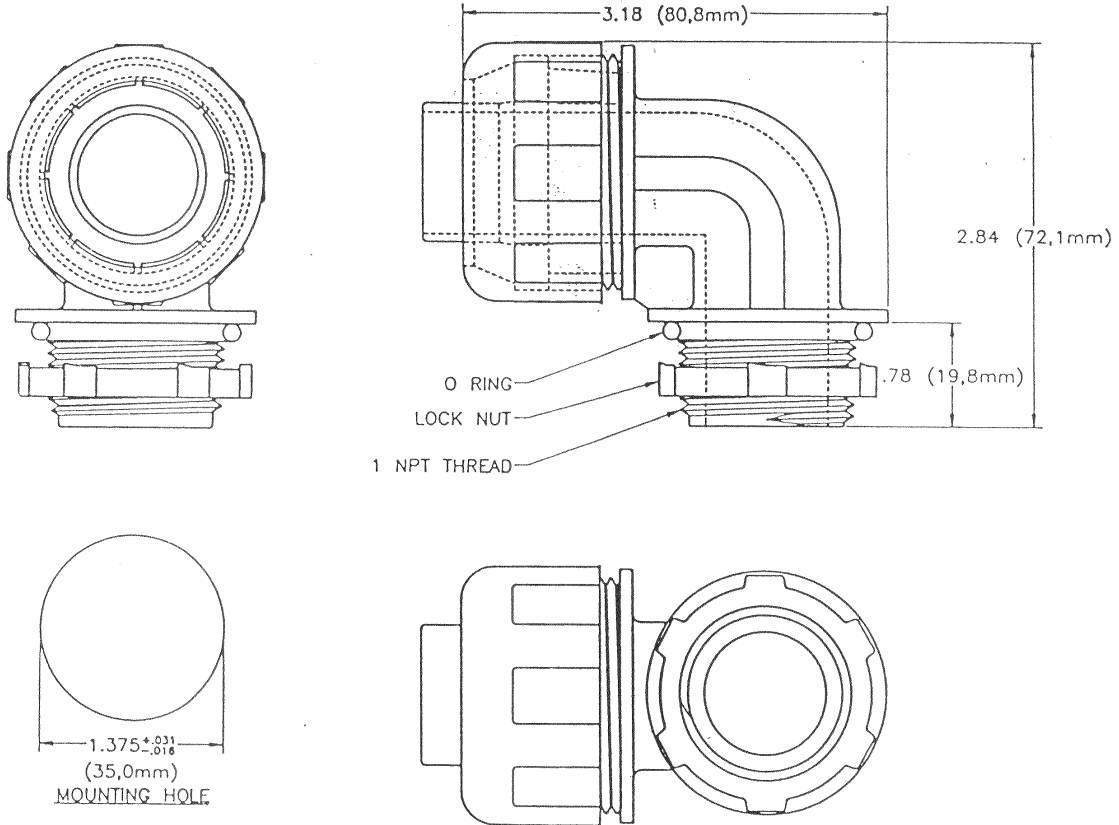
DESCRIPTION: **HEYCO - CONNECTOR - SWEEP
FLEX - GRAY**

SHEET NO:
5 OF 8

REV. NO:
B

DRAWING NO:
WSD-AC03717

Carlton®



DIMENSIONS ARE IN INCH/MILLIMETERS.

P/N LT9100G

Thomas & Betts
www.tnb.com

DESCRIPTION: **HEYCO - CONNECTOR - SWEEP
FLEX - GRAY**

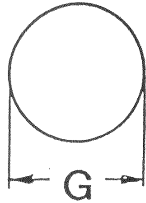
SHEET NO:
6 OF 8

REV. NO:
B

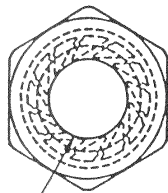
DRAWING NO:
WSD-AC03717

THIS DRAWING IS INTENDED FOR DESCRIPTIVE PURPOSES ONLY. AND THE RIGHT IS RESERVED TO DEVIATE FROM ANY OF THE DETAILS SHOWN HEREON.
© 2008 Thomas & Betts - Proprietary, All Rights Reserved

Carlton®

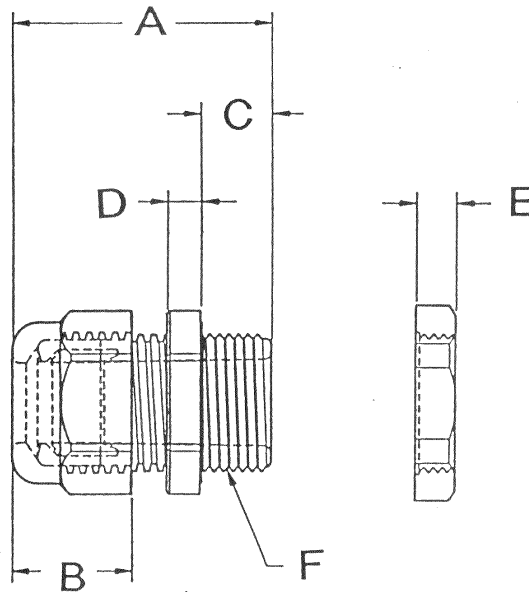


SUGGESTED CLEARANCE HOLE
FOR NON-THREADED MOUNTING



PART ACCOMMODATES
CABLE DIAMETERS

H



(STEEL CONDUIT THREADS
PER DIN 40430)

DIMENSIONS ARE IN INCH/MILLIMETERS.

PART NO.	DIA. A	DIM. B	DIM. C	DIM. D	DIM. E	THREAD F	DIA. G	DIA. H
LH07	1.17 [29.7]	.50 [12.7]	.33 [8.4]	.20 [5.1]	.22 [5.6]	Pg.7	.492 [12.5]	.114 - .250 [2.9] - [6.4]
LH09	1.30 [33]	.60 [15.2]	.34 [8.6]	.20 [5.1]	.22 [5.6]	Pg.9	.599 [15.2]	.181 - .312 [4.6] - [7.9]
LH11	1.46 [37.1]	.70 [17.8]	.39 [9.9]	.20 [5.1]	.22 [5.6]	Pg.11	.733 [18.6]	.230 - .395 [5.8] - [10]
LH13	1.53 [38.4]	.71 [18]	.41 [10.4]	.20 [5.1]	.23 [5.8]	Pg.13.5	.804 [20.4]	.170 - .470 [4.3] - [11.9]
LH16	1.66 [42.2]	.76 [19.3]	.45 [11.4]	.23 [5.8]	.24 [6.1]	Pg.16	.886 [22.5]	.230 - .546 [5.8] - [13.9]
LH21	1.87 [47.5]	.85 [21.6]	.52 [13.2]	.23 [5.8]	.28 [7.1]	Pg.21	1.115 [28.3]	.450 - .709 [11.4] - [18]

Thomas & Betts
www.tnb.com

DESCRIPTION:

**HEYCO - LIQUID TIGHT FITTING
STRAIGHT-THRU - BLACK**

SHEET NO:

• 7 OF 8

REV. NO:

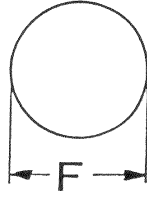
B

DRAWING NO:

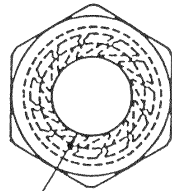
WSD-AC03717

THIS DRAWING IS INTENDED FOR DESCRIPTIVE PURPOSES ONLY. AND THE RIGHT IS RESERVED TO DEVIATE FROM ANY OF THE DETAILS SHOWN HEREON.
© 2008 Thomas & Betts - Proprietary. All Rights Reserved

Carlon®

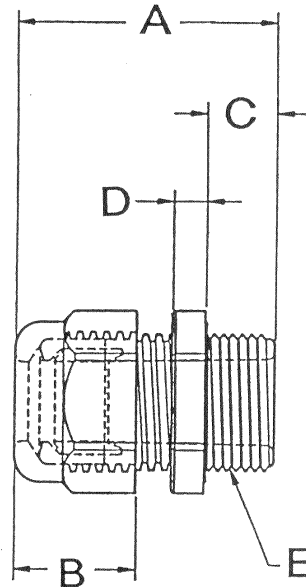


SUGGESTED CLEARANCE HOLE
FOR NON-THREADED MOUNTING



PART ACCOMMODATES
CABLE DIAMETERS

G



DIMENSIONS ARE IN INCH/MILLIMETERS.

PART NO. (BLACK)	PART NO. (GRAY)	DIA. A	DIM. B	DIM. C	DIM. D	THREAD E	DIA. F	DIA. G
LH38	LH38G LH38GCL LH38G-CTN	1.49 [37.8]	.60 [15.2]	.53 [13.5]	.20 [5.1]	3/8-18 NPT	.670 [17]	.181 - .312 [4.6] - [7.9]
LH50	LH50G LH50GCL LH50-CTN	1.72 [43.7]	.71 [18]	.62 [15.7]	.20 [5.1]	1/2-14 NPT	.875 [22.2]	.170 - .470 [4.3] - [11.9]
LH75	LH75G LH75GCL LH75G-CTN	1.97 [50]	.85 [21.6]	.63 [16]	.23 [5.8]	3/4-14 NPT	1.068 [27.1]	.450 - .709 [11.4] - [18]
LH100	LH100G LH100GCL LH100G-CTN	2.42 [61.5]	1.07 [27.2]	.78 [19.8]	.28 [7.1]	1"-11-1/2 NPT	1.375 [35]	1.00 - .590 [25.4] - [15]

Thomas & Betts
www.tnb.com

DESCRIPTION:

**HEYCO - LIQUID TIGHT FITTING
STRAIGHT-THRU - BLACK/GRAY**

SHEET NO:

8 OF 8

REV. NO:

B

DRAWING NO:

WSD-AC03717