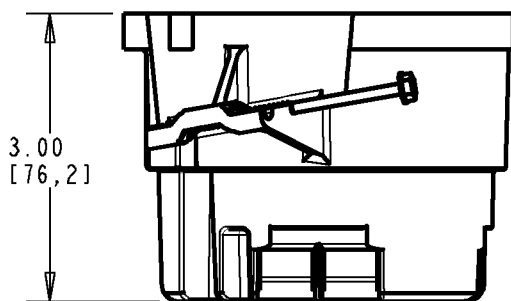
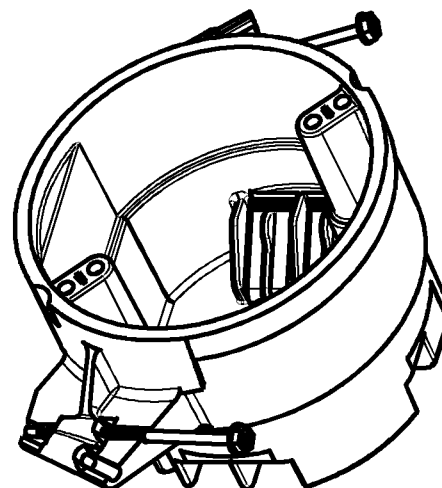
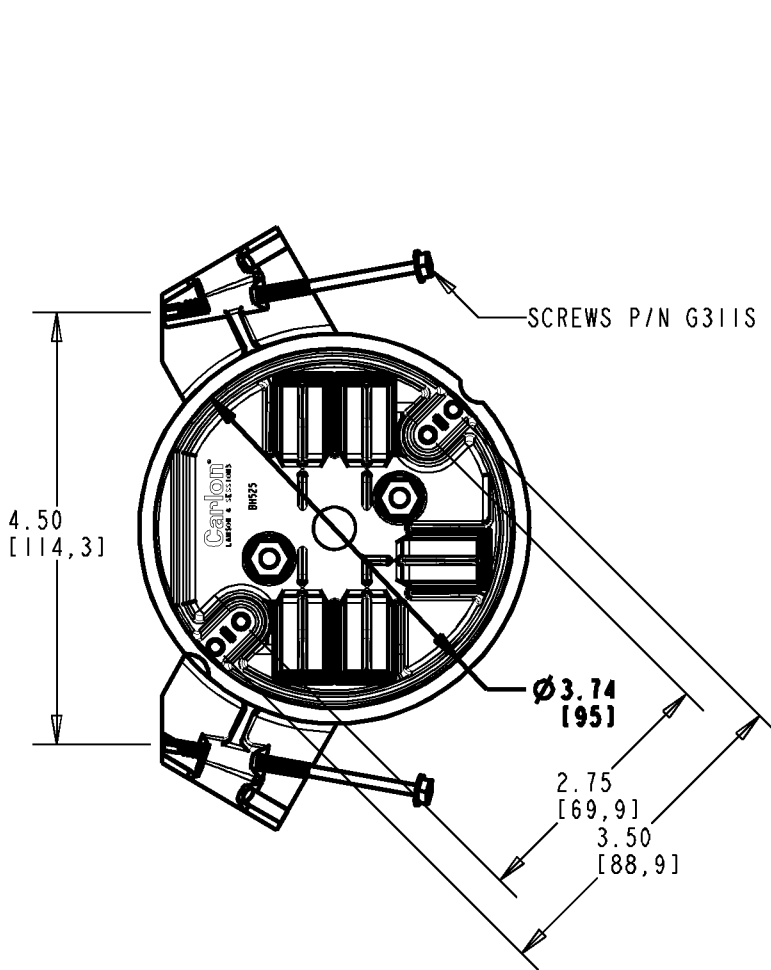


# Carlton®



## WARNING!

- \* SOLVENTS CANNOT BE APPLIED TO ANY POLYCARBONATE ELECTRICAL BOXES.
- \* DO NOT SPRAY PAINT POLYCARBONATE ELECTRICAL BOXES WITH ANY SOLVENT-BASED PAINT.
- \* DO NOT SPRAY PAINT POLYCARBONATE ELECTRICAL BOXES WITH SPRAY PAINT APPLICATION WHICH INCLUDES ANY SOLVENT.

WIRE GA. / CONDUCTORS

12 / 14

10 / 12

9 / 10

P/N BH525S

### GENERAL NOTES

1. ALL DIMENSIONS ARE FOR REFERENCE ONLY.
2. DIMENSIONS IN BRACKETS [ ] ARE IN METRIC UNITS.

### REVISIONS

C SEE ERN 2016537 FOR APPROVAL SIGNATURES & RELEASE DATE.  
PROJECT NO: NM400330

**Thomas & Betts**  
www.tnb.com

DESCRIPTION:

**SUPER BLUE CEILING BOX  
24.5 CU. IN. VOL.**

ORIGINAL PROJECT NO / ( ERN NO )

/ ( )

SHEET NO:

1 OF 2

REV. NO:

C

DRAWING NO:

**WSD-AC03647**