



[Catalog Home](#)

Product Datasheet

CHANCE

GEP12 -- PLATE, POLE EYE



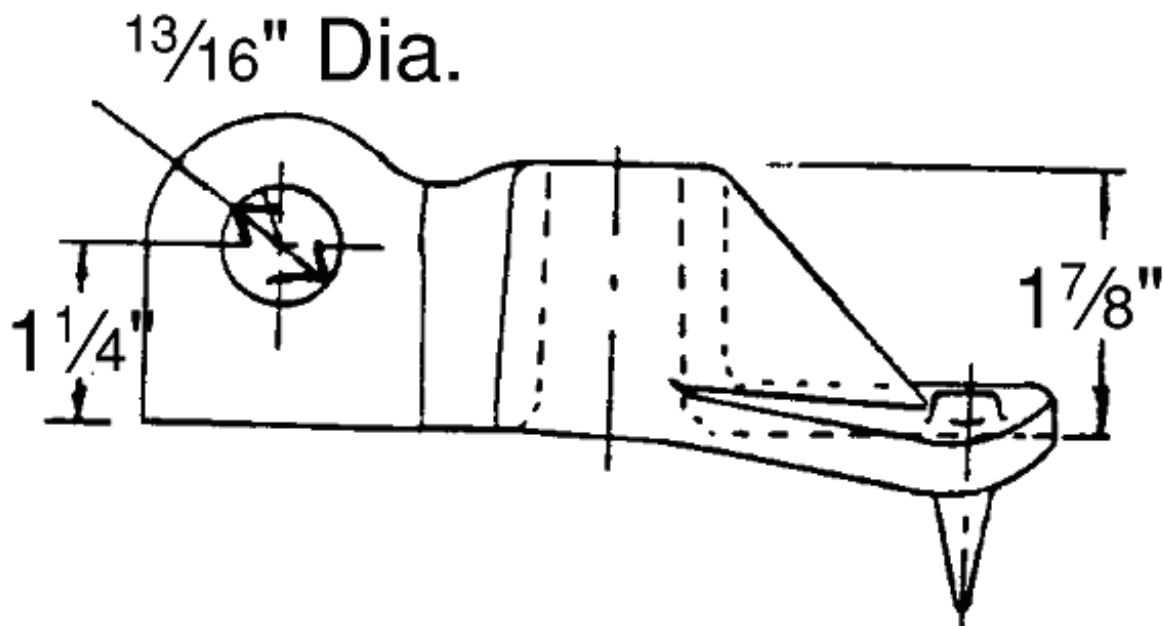
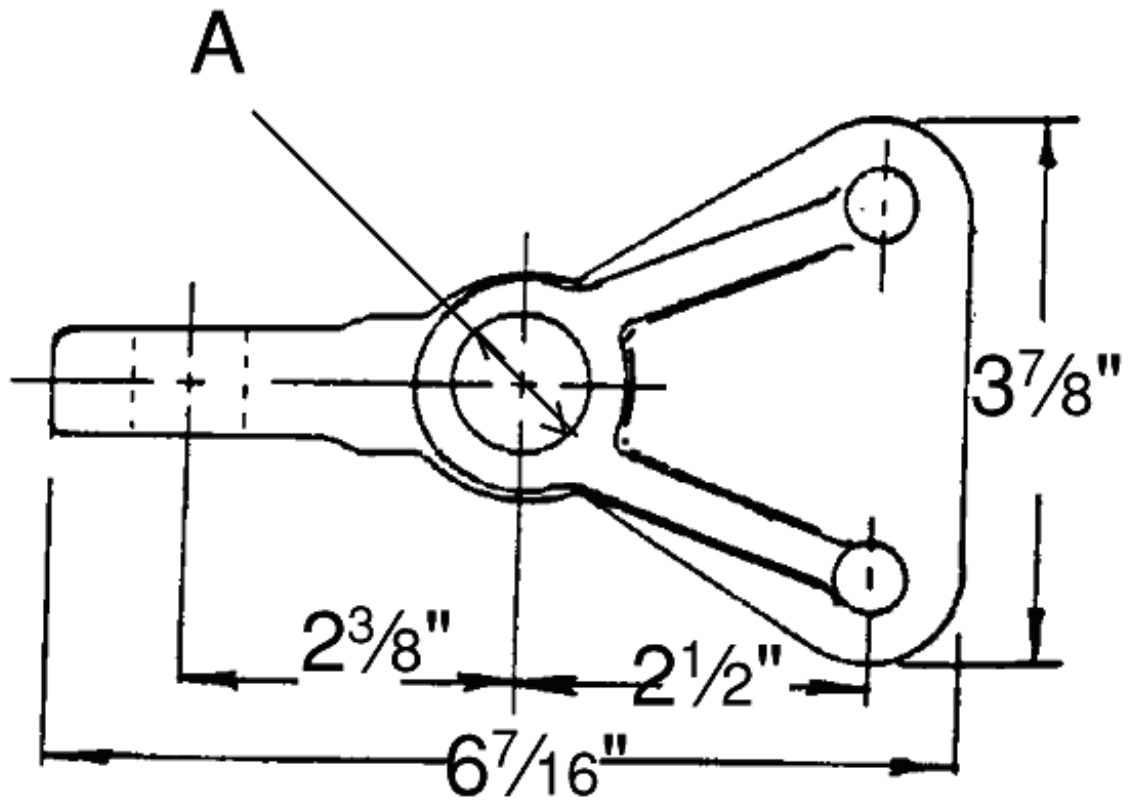
Pole Eye Plate, cast ductile iron, has eye for maximum 3/4" diameter pin. Cast integral lag spur prevents rotation.

Product Specifications

Product Categories	Deadend Hardware
Product Group	Guy Attachment
Product Type	Pole Eye Plate
Length	3 9/16"
Mounting Bolt	7/8"
Product Finish	Galvanized, ASTM A-153
Material	Ductile Iron, ASTM A-536
Return Type	Non-Standard
UPC Code	096359036494
Standard Package	25
Unit of Measure	EA
Min Order Qty	25
Pallet Quantity	800
Weight / Ea.	2.65 lbs
Drawing	Click HERE to view drawing.

Compressed Product Number

GEP12



Catalog Home



[Warranty Info](#) | [Trademarks](#) | [Terms of Use](#)

All contents Copyright © 2007 Hubbell Power Systems, Inc. All rights reserved.

NOTE: Because Hubbell has a policy of continuous product improvement, we reserve the right to change design and specifications without notice.