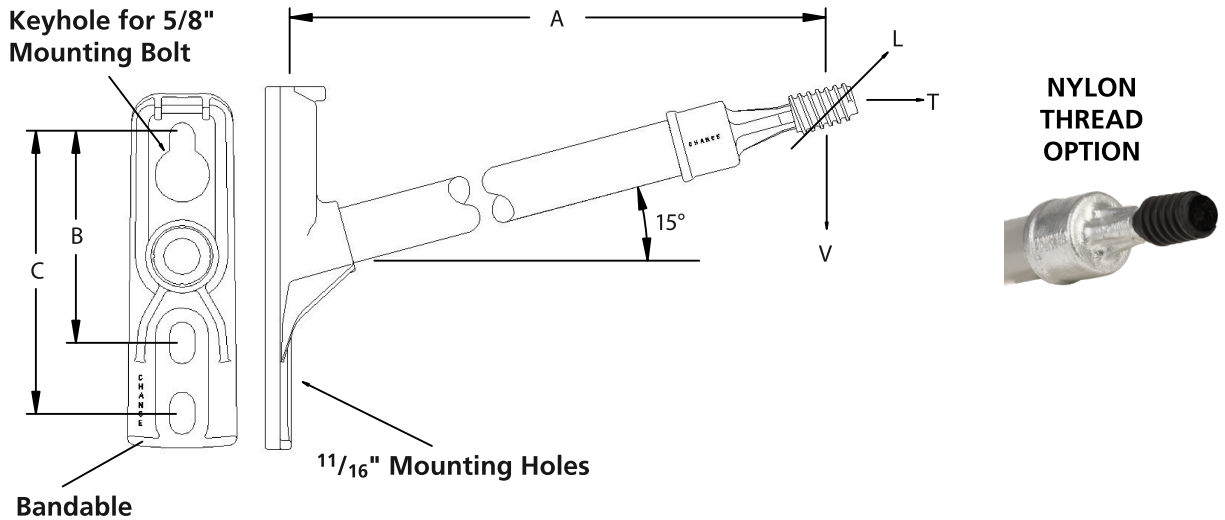


# Single-Phase Horizontal Pin Standoff Bracket (15°)



**B** Dimension is 6" for 1SBM series and 8" for 1SBH series  
**C** Dimension is 8" for 1SBM series and 10" for 1SBH series

Base and End Fitting are hot-dip-galvanized ductile iron.

Catalog Number	Length A	Minimum Ultimate*			Weight (Each)
		Vertical V	Longitudinal L	Transverse T	
<b>Medium Duty 1½" (38 mm) Dia. Fiberglass Rod</b>					
1SBM12H1	12" (30.5 cm)	1850 lbs. (839 kg)	1800 lbs. (816 kg)	1500 lbs. (680 kg)	5.2 lbs. (2.3 kg)
1SBM15H1	15" (38.1 cm)	1500 lbs. (680 kg)	1450 lbs. (658 kg)	1500 lbs. (680 kg)	5.6 lbs. (2.5 kg)
1SBM16H1	16" (40.6 cm)	1400 lbs. (635 kg)	1350 lbs. (612 kg)	1500 lbs. (680 kg)	5.7 lbs. (2.6 kg)
1SBM18H1	18" (45.7 cm)	1200 lbs. (544 kg)	1200 lbs. (544 kg)	1500 lbs. (680 kg)	5.9 lbs. (2.7 kg)
1SBM20H1	20" (50.8 cm)	1100 lbs. (499 kg)	1100 lbs. (499 kg)	1500 lbs. (680 kg)	6.2 lbs. (2.8 kg)
1SBM24H1	24" (61.0 cm)	1050 lbs. (476 kg)	900 lbs. (408 kg)	1500 lbs. (680 kg)	6.7 lbs. (3.0 kg)
<b>Heavy Duty 2" (51 mm) Dia. Fiberglass Rod</b>					
1SBH18H1	18" (45.7 cm)	2300 lbs. (1043 kg)	1400 lbs. (635 kg)	1500 lbs. (680 kg)	8.4 lbs. (3.8 kg)
1SBH20H1	20" (50.8 cm)	2100 lbs. (953 kg)	1350 lbs. (612 kg)	1500 lbs. (680 kg)	8.9 lbs. (4.0 kg)
1SBH24H1	24" (61.0 cm)	1750 lbs. (794 kg)	1200 lbs. (544 kg)	1500 lbs. (680 kg)	9.8 lbs. (4.4 kg)
1SBH27H1	27" (68.6 cm)	1550 lbs. (703 kg)	1050 lbs. (476 kg)	1500 lbs. (680 kg)	10.4 lbs. (4.7 kg)
1SBH30H1	30" (76.2 cm)	1400 lbs. (635 kg)	950 lbs. (431 kg)	1500 lbs. (680 kg)	11.1 lbs. (5.0 kg)

\*Recommended maximum working load is 50% of minimum ultimate ratings listed.

*ISB—H1 series has 1" plastisol coated threads*

*For 1" Nylon threads, replace the last "1" in number with "2"*

*For 1" lead threads, replace "H1" in number with "H3"*

*For 1.375" lead threads, replace "H1" in number with "H4"*

*Consult factory for additional lengths.*

*Add "SC" suffix to the end of the catalog number to denote Silicone Coated rod*