

HPS STARTER

FOR HIGH PRESSURE SODIUM LAMPS

STARTING AID



SPECIFICATIONS

LINE VOLTAGE: 105 - 347VAC.

LAMP VOLTAGE: 55 or 100VAC.

LAMP WATTAGE: 35 to 400 watts.

OPERATING TEMPERATURE:
-40 °F to +221 °F (-40 °C to + 105 °C).

LEAD LENGTH: 9 inches.

ENCLOSURE: Durable, high temperature Lexan® housing.

APPLICATIONS

- Designed to operate as a starting aid, for all
- H.P.S. ballasts from 35 to 400 watts, with lamp voltage of 55 or 100 volts.

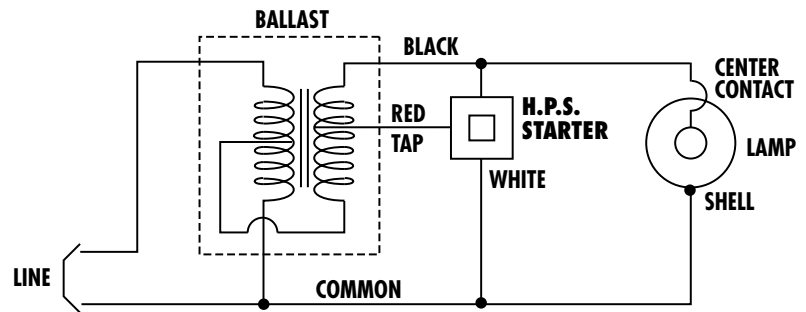
FEATURES

SMART VOLTAGE: Delivers appropriate trigger spikes for lamp ignition, then reduces voltage to good lamps. Continues to feed voltage spikes to old or poorly working lamps.

HIGH GRADE MATERIAL: All components are sealed with high grade die-electric material to protect against contaminants and other adverse environmental conditions.

EASY INSTALLATION: Universal 3 wire design, color coded for ease of installation.

CAT. NO.	UPC CODE	DESCRIPTION
HPS30	81030	High Pressure Sodium Starter

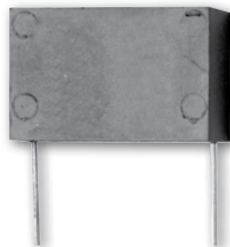


SURGE SUPPRESSOR

FOR HIGH ELECTRICAL NOISE

APPLICATIONS

- For high electrical noise interference, recommended for all digital controls.



CAT. NO.	UPC CODE	DESCRIPTION
90058-1	81024	Surge Suppressor

