



[Catalog Home](#)

**Product Datasheet**

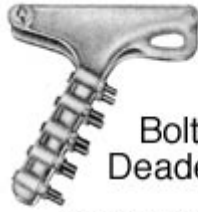

**ANDERSON FARGO**

**SD112C -- Strain Clamp, Quadrant, Heavy Duty**



Strain Clamp, Quadrant, Heavy Duty, Aluminum, Conductor Range 0.5 - 1.2 in, Fitting: Clevis

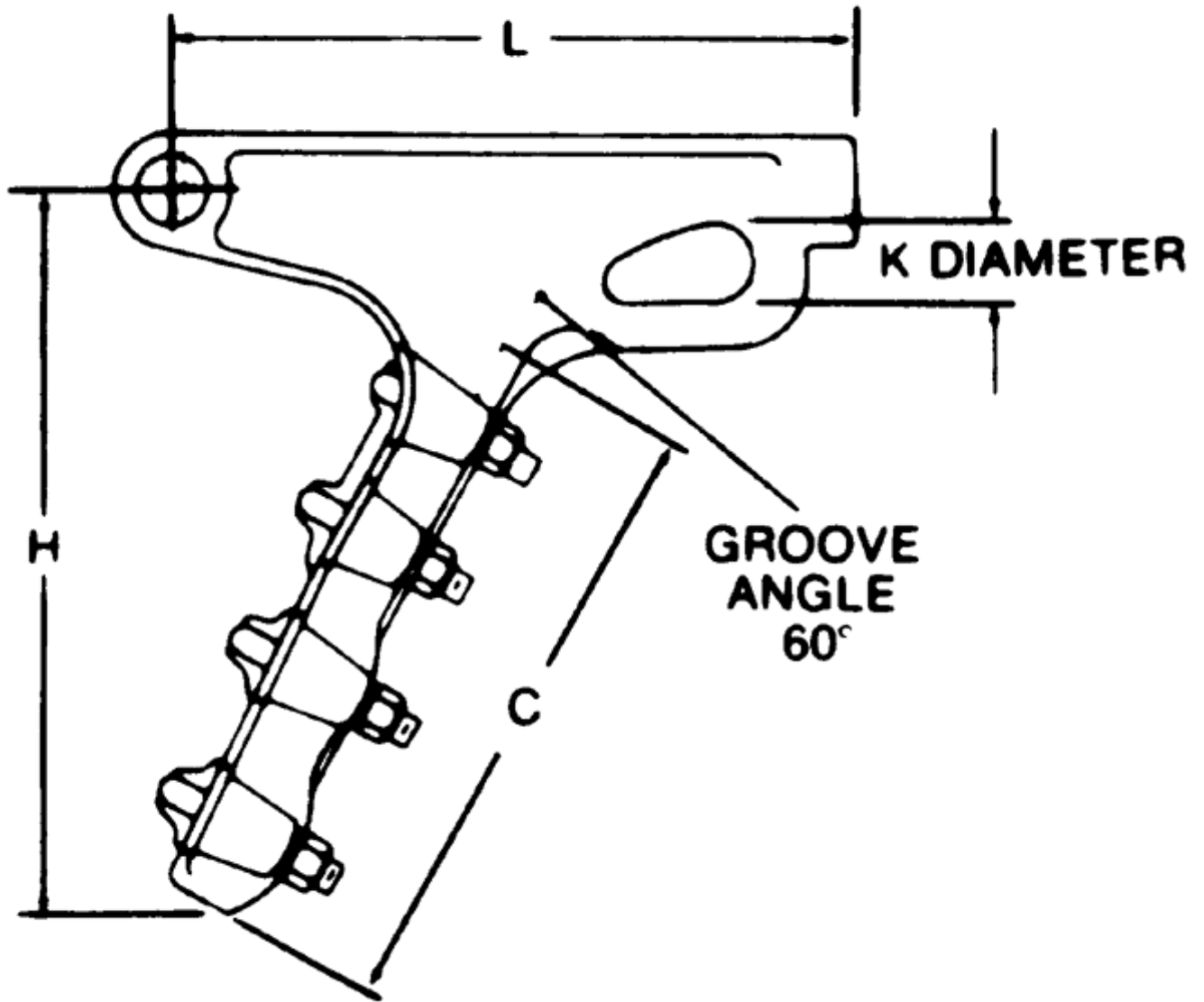
**Product Specifications**

<p><b>Category Image</b></p>	 <p><b>Bolted Deadends</b> Aluminum &amp; Bronze Quadrant Aluminum &amp; Copper Conductor</p>
<p><b>Series Image (Quadrant)</b></p>	 <p><b>SD Series</b> Quadrant Dead End Bolted, Aluminum AAC, AAAC &amp; ACSR Conductor</p>
<p><b>PDF Catalog Page</b></p>	<p><a href="#">Click HERE to view the web page.</a></p>
<p><b>Fitting Type</b></p>	<p>Clevis</p>
<p><b>Style</b></p>	<p>SD - Strain Clamp, Quadrant, Heavy Duty</p>
<p><b>Type</b></p>	<p>Bolted</p>
<p><b>Material</b></p>	<p>Aluminum</p>
<p><b>Fitting Catalog No.</b></p>	<p>CA-10-13</p>
<p><b>Voltage Application</b></p>	<p>Std</p>
<p><b>Body and Keeper Material</b></p>	<p>356 T6 Aluminum Alloy</p>
<p><b>Socket and Clevis Material</b></p>	<p>Galvanized Ductile Iron</p>
<p><b>Clevis Pin Material</b></p>	<p>Galvanized Ductile Iron</p>
<p><b>Cotter Pin Material</b></p>	<p>#302 Stainless Steel</p>
<p><b>Hardware Material</b></p>	<p>Galvanized Steel</p>

<b>Ultimate Body Strength</b>	25,000 lb (11,340 kg)
<b>U-Bolts</b>	5
<b>Bolt Size</b>	.50 in (12.70 mm)
<b>Dimension C</b>	8 1/4 in (209.6 mm)
<b>Dimension H</b>	11.50 in (292.1 mm)
<b>Dimension K</b>	1 3/8 in (34.33 mm)
<b>Dimension L</b>	13 1/8 in (333.38 mm)
<b>Dimension W</b>	1 3/8 in (34.93 mm)
<b>Pin Diameter</b>	0.625 in (15.88 mm)
<b>Clevis Opening</b>	.875 in (22.23 mm)
<b>Conductor Range Minimum - Maximum</b>	AAC 4/0 str (7) Thru AAC 1033.5 kcmil (61) AAAC 3/0 str(7) Thru AAAC 932.6 kcmil str (37) ACSR 3/0 (6/1) Thru ACSR 954.0 kcmil (54/7) ACAR 503.6 kcmil (15/4) Thru ACAR 1277.0 kcmil (54/7)
<b>Minimum Conductor Diameter</b>	0.5
<b>Maximum Conductor Diameter</b>	1.2
<b>Weight / Ea.</b>	10.19 lbs
<b>Standard Package</b>	6
<b>UPC Code</b>	09635932514

**Compressed Product Number**

SD112C



Dimensions

[Catalog Home](#)



[Warranty Info](#) | [Trademarks](#) | [Terms of Use](#)

*All contents Copyright © 2007 Hubbell Power Systems, Inc. All rights reserved.*

NOTE: Because Hubbell has a policy of continuous product improvement, we reserve the right to change design and specifications without notice.