

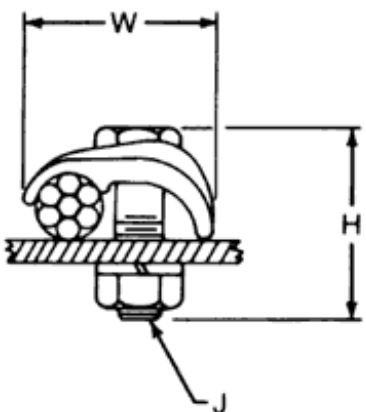
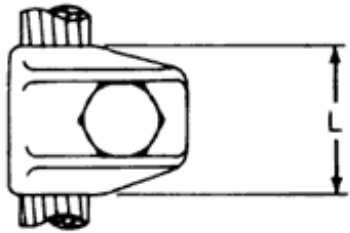


Catalog Home

Product Datasheet


ANDERSON FARGO

GC140G1 -- Grounding Clamp



Grounding Clamp, Copper Cable to 1/4" Flat, One piece clamp

Product Specifications

<p>Series</p>	 <p>GC-140 Series Bronze, Single-Piece Cable to Flat Grounding Clamps</p>
<p>PDF Catalog Page</p>	<p>Click HERE to view the web page.</p>
<p>Clamping Hardware</p>	<p>Galvanized Steel</p>
<p>Material</p>	<p>Bronze</p>
<p>Hardware Material</p>	<p>Galvanized Steel</p>
<p>Conductor Size Min. / Max.</p>	<p>Cu 4 sol Thru Cu 2/0 str (19)</p>
<p>Conductor Type</p>	<p>Copper</p>
<p>Minimum Conductor Diameter</p>	<p>0.204 (in)</p>
<p>Maximum Conductor Diameter</p>	<p>0.419 (in)</p>
<p>UPC Code</p>	<p>09635930652</p>
<p>Standard Package</p>	<p>100</p>
<p>Standard Package Unit</p>	<p>Each</p>
<p>Min Order Qty</p>	<p>1</p>
<p>Weight / Ea.</p>	<p>0.304 lbs</p>

Material Type

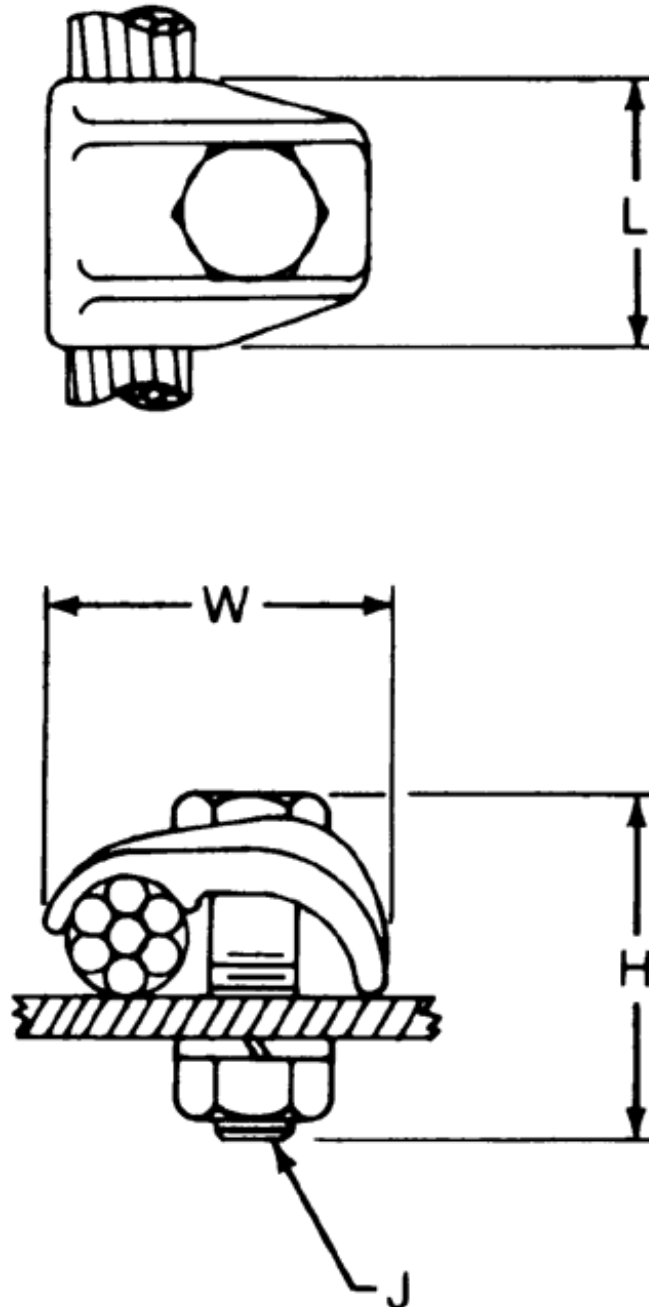
Non-Standard

Notes

Bolt length is suitable for clamping to 1/4" flat bar. Add 1/2 suffix to catalog number to specify clamp with bolt length suitable for 1/2" thick bar.

Compressed Product Number

GC140G1



[Catalog Home](#)

All contents Copyright © 2007 Hubbell Power Systems, Inc. All rights reserved.

NOTE: Because Hubbell has a policy of continuous product improvement, we reserve the right to change design and specifications without notice.