

DESCRIPTION

Lampholder utilizes 12V MR16 lamps and provides a very white crisp light. Lampholders are available in Satin White or Matte Black finishes. Lazer lampholders are compatible with all Halo Power-Trac systems (except 4-Circuit Trac).

Catalog #	Type
Project	
Comments	
Prepared by	Date

SPECIFICATION FEATURES

A...Electrical Quick Lock Adapter/Transformer

Lexan polycarbonate casing. Attaches electrically and mechanically anywhere along track. Visual polarity line assures proper grounding. Two position conductor allows use in single circuit and either circuit of two circuit track. All solid-state components lower 120V line voltage down to lamp operating voltage

B...Arm

Matching finish double arm with perforations allows lampholder to rotate 338° and adjust vertically from 0° to 90°.

C...Gimbal Ring

Die formed gimbal ring contains lamp retention spring suitable for holding lamp (supplied by others) and cover glass (included). Will accept any 2" diameter UV, color filter or lens.

Listings

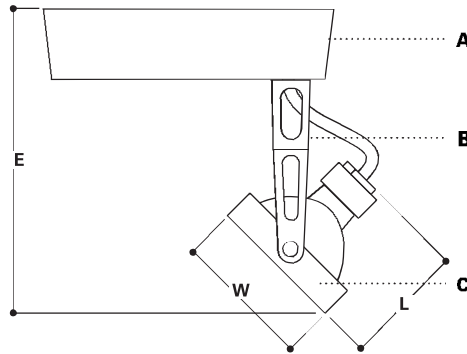
UL/CSA listed for use with Halo and Lazer-by-Halo track and track systems



LZR401

**LOW VOLTAGE
GIMBAL RING
LAMP HOLDERS**

Lazer by Halo



ORDERING INFORMATION

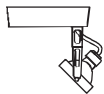
SAMPLE NUMBER: LZR401P

Lampholders

LZR401=Gimbal Ring

Finishes

P=Satin White
MB=Satin Black



LZR401

For use with:
50W Max. 12V MR16
W=2 1/8" [54mm]
L =2" [51mm]
E =4 7/8" [124mm]

ENERGY DATA

Power Factor: >.90
Input Watts: <50
Input Amps: .45 Max.
THD: <30%

ADV990374

9/04

TAB: Lazer Lampholders and Track
Sheet 9

Note: Specifications and Dimensions subject to change without notice.

Visit our web site at www.cooperlighting.com